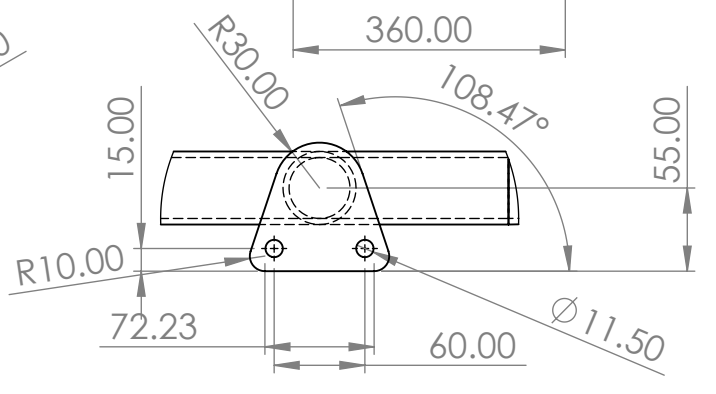
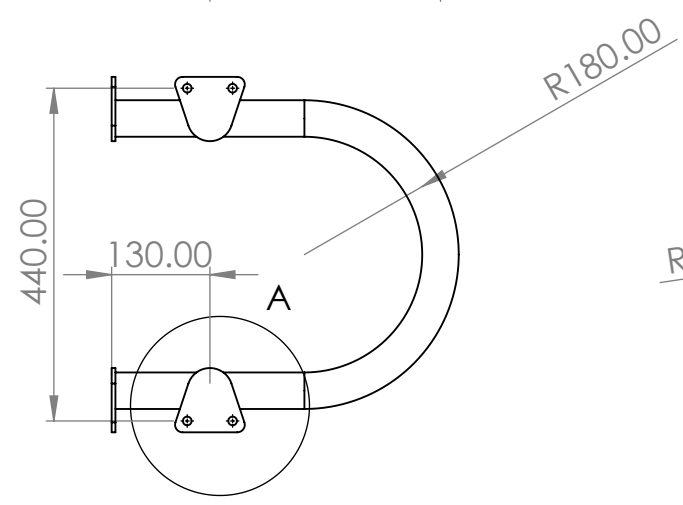
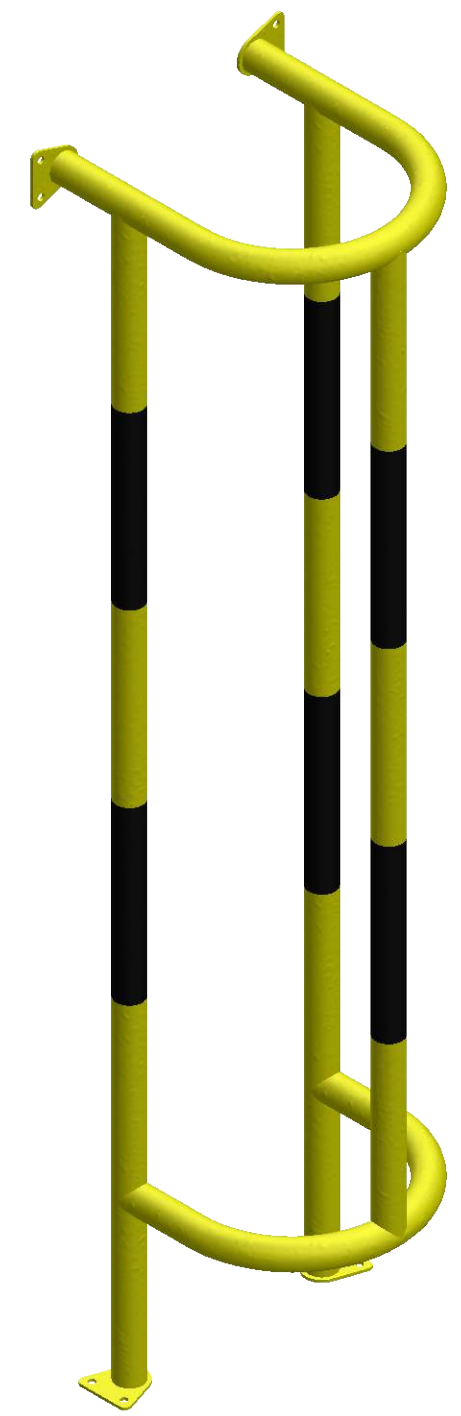
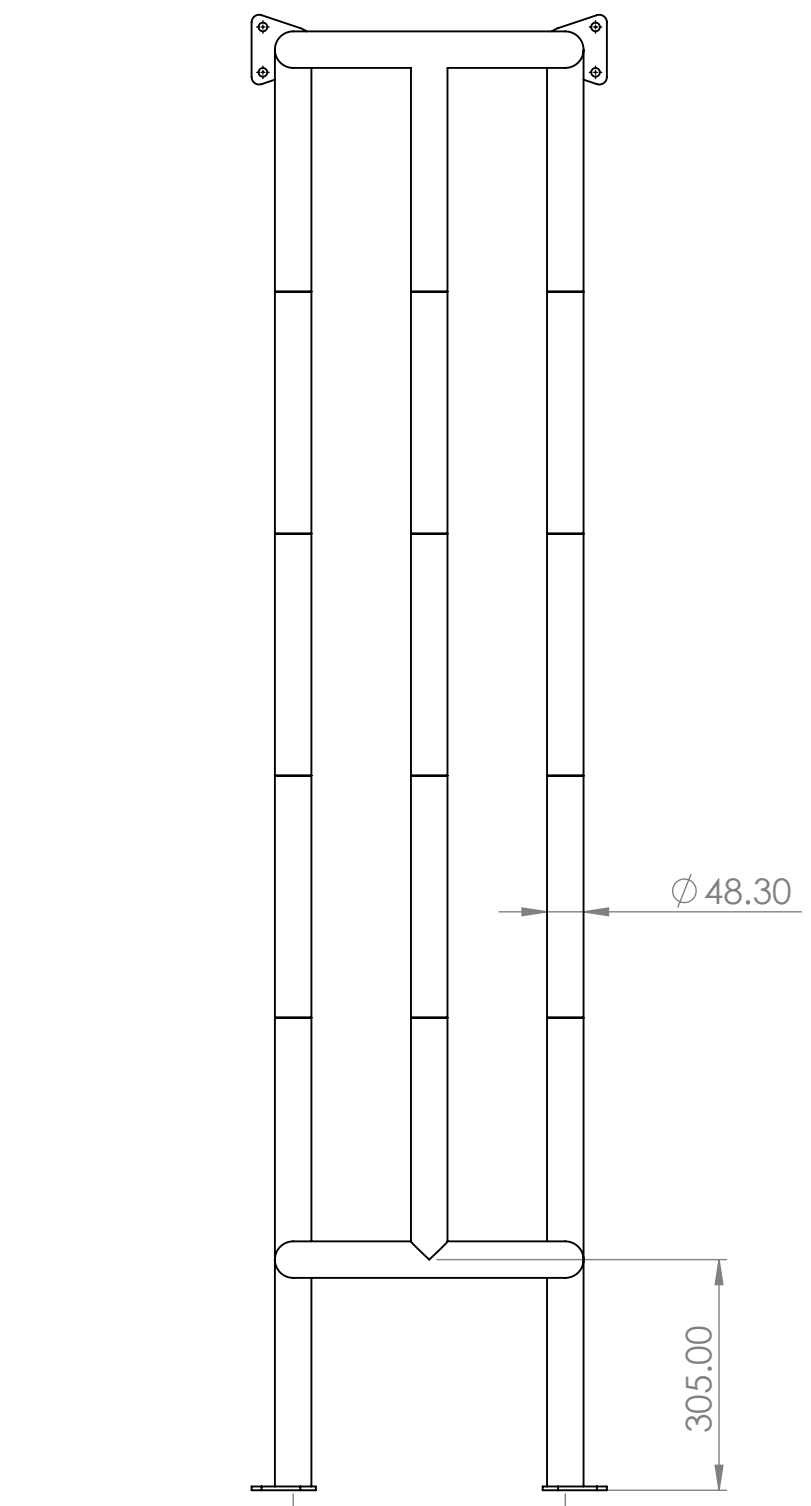
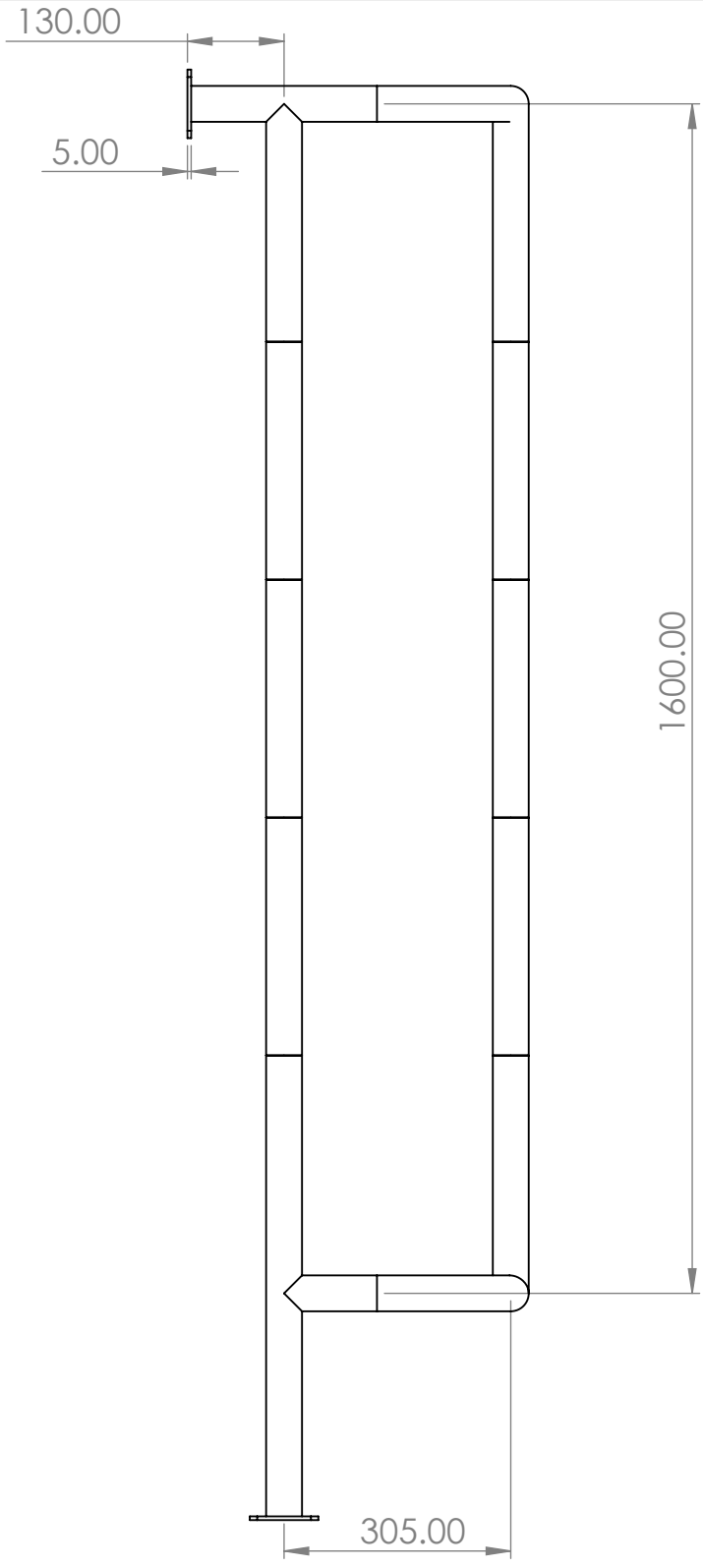



8 7 6 5 4 3 2 1

F
E
D
C
B
A

F
E
D
C
B
A



DETAIL A
SCALE 1 : 5

UNLESS OTHERWISE SPECIFIED: DIMENSIONS ARE IN MILLIMETERS		FINISH: powdercoated		DEBURR AND BREAK SHARP EDGES		DO NOT SCALE DRAWING		REVISION	
SURFACE FINISH:									
TOLERANCES:									
LINEAR:						TITLE: 1900mm wall and floor mounted vertical pipe protection			
ANGULAR:						DWG NO. VPP-WF-H1900-W425-L350			
DRAWN		NAME		SIGNATURE		DATE		A3	
CHK'D									
APPV'D									
MFG									
Q.A						MATERIAL: Galvanized Steel		SCALE:1:20	
						WEIGHT: 32399.80		SHEET 1 OF 1	

8 7 6 5 4 3 2 1

A

A