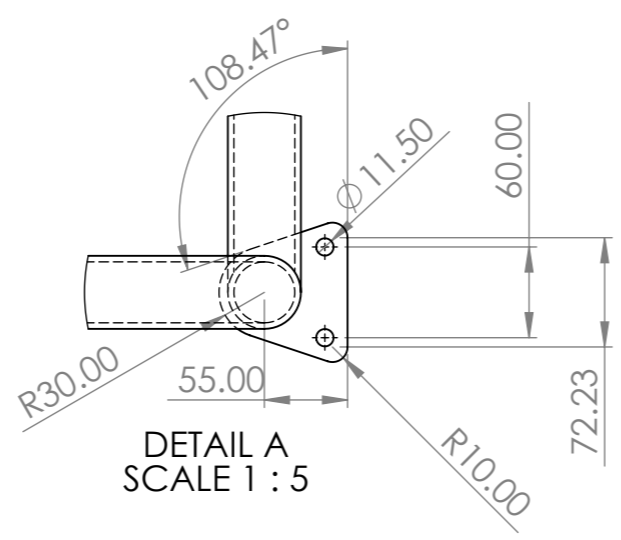
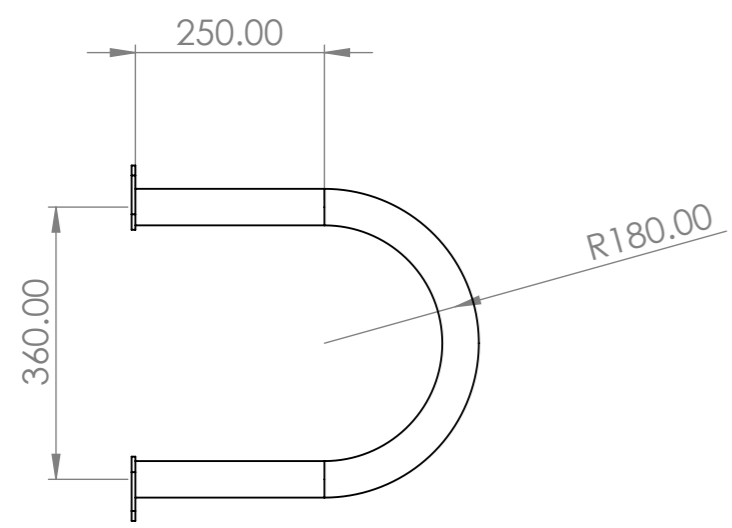
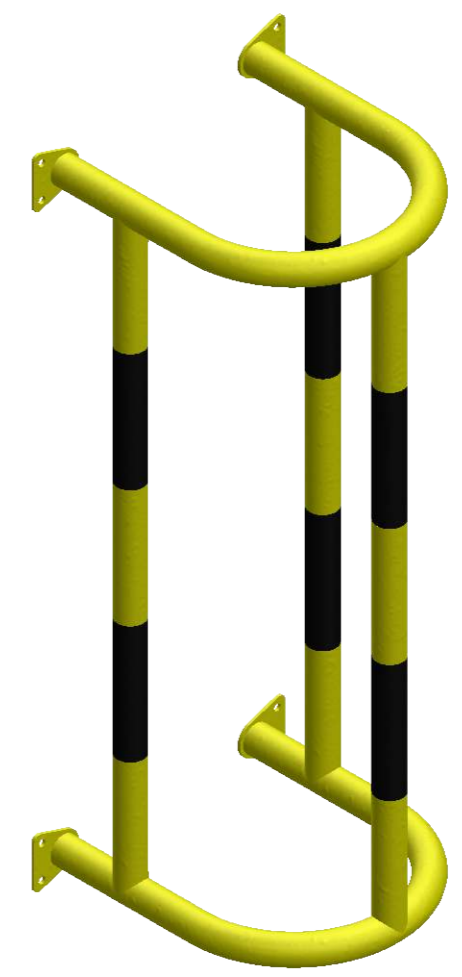
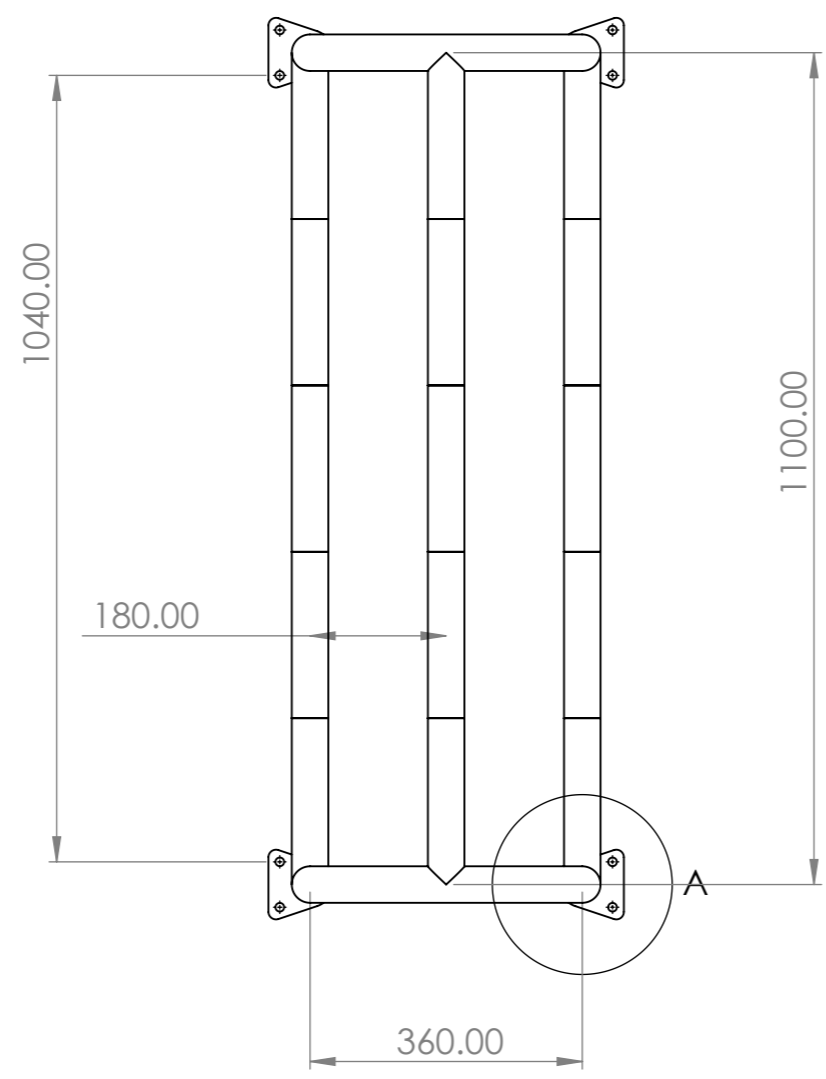
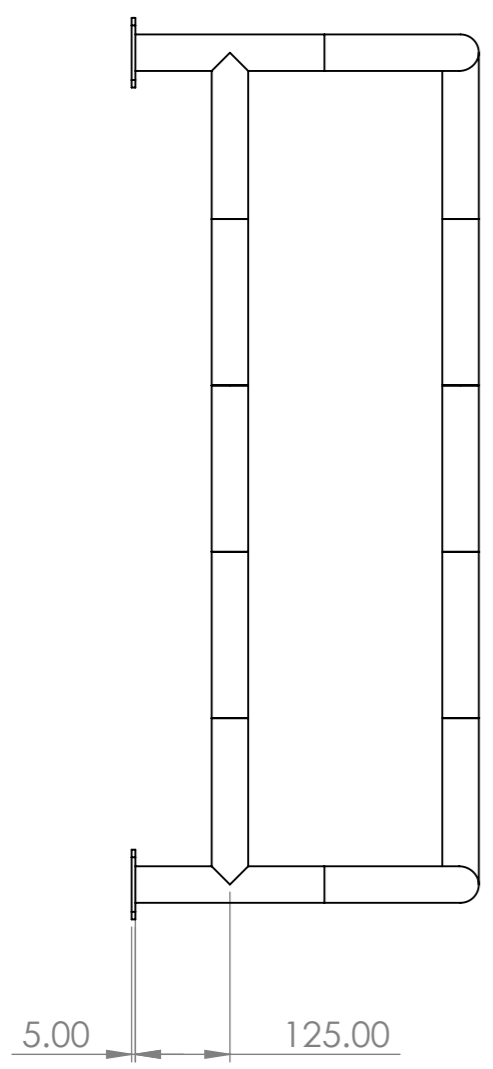


8 7 6 5 4 3 2 1

F
E
D
C
B
A

F
E
D
C
B
A



UNLESS OTHERWISE SPECIFIED: DIMENSIONS ARE IN MILLIMETERS SURFACE FINISH: TOLERANCES: LINEAR: ANGULAR:				FINISH: powdercoated		DEBURR AND BREAK SHARP EDGES		DO NOT SCALE DRAWING		REVISION	
								TITLE: 1100mm wall mounted vertical pipe protection			
DRAWN											
CHK'D											
APPV'D											
MFG											
Q.A						MATERIAL: Galvanized Steel		DWG NO. VPP-W-H1100-W425-L350		A3	
						WEIGHT: 24217.94		SCALE:1:20		SHEET 1 OF 1	

8 7 6 5 4 3 2 1

A