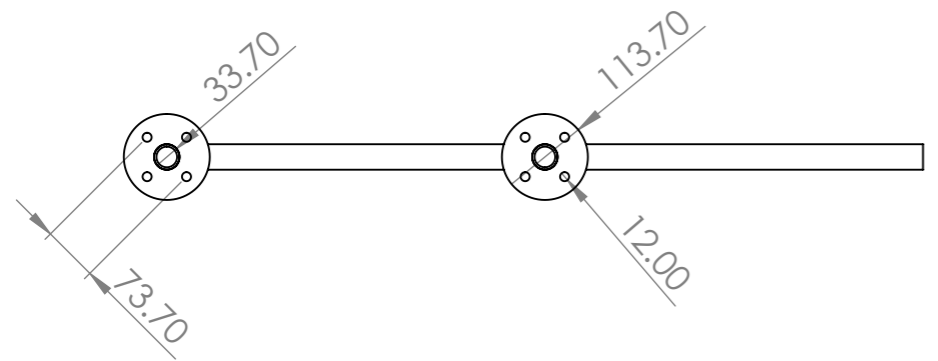
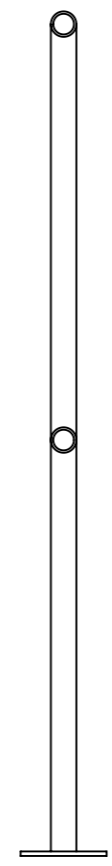
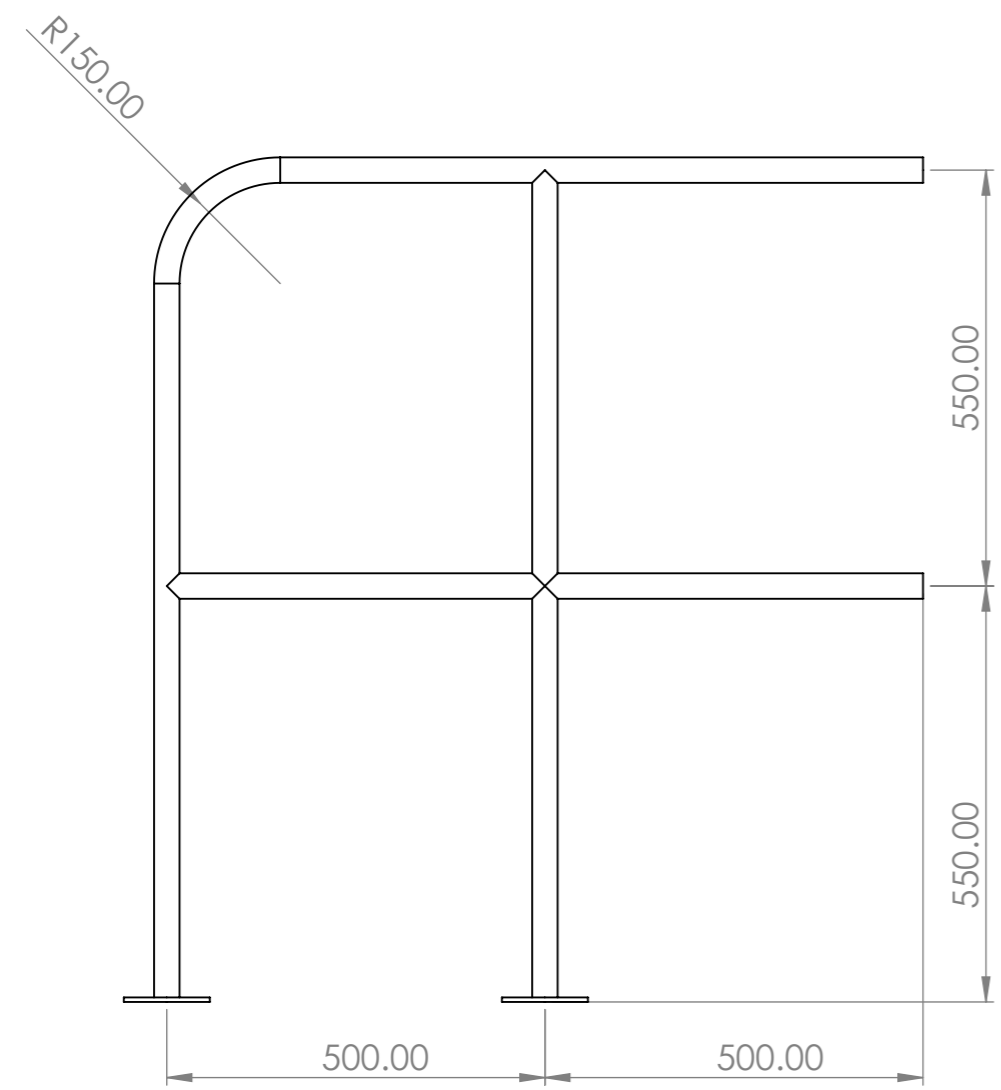



REV	REVISION NOTES	REVISION BY	REVISION DATE
1			
2			
3			
4			



 METAL PRODUCTS DIRECT	UNLESS OTHERWISE SPECIFIED: DIMENSIONS ARE IN MILLIMETERS TOLERANCES: X: 2.5 X.XX: 0.13 X.X: 0.25 X.XXX: 0.013		CUSTOMER:	
	MATERIAL: 304L stainless steel		DESCRIPTION: Stainless Steel handrail end section 1000mm long	
17 Bridge Street Pendlebury Manchester M27 4DU	FINISH: brushed WEIGHT: 10.87 Kg	BY:	DATE:	DWG NO: THR-SS-END1000-D33.7
DEBUR AND BREAK SHARP EDGES DO NOT SCALE DRAWING IF IN DOUBT ASK!	DRAWN: CHECKED: APPROVED:	REV:	SHEET SCALE: 1:10 SHEET SIZE: A3 SHEET NUMBER: 1 OF 1	