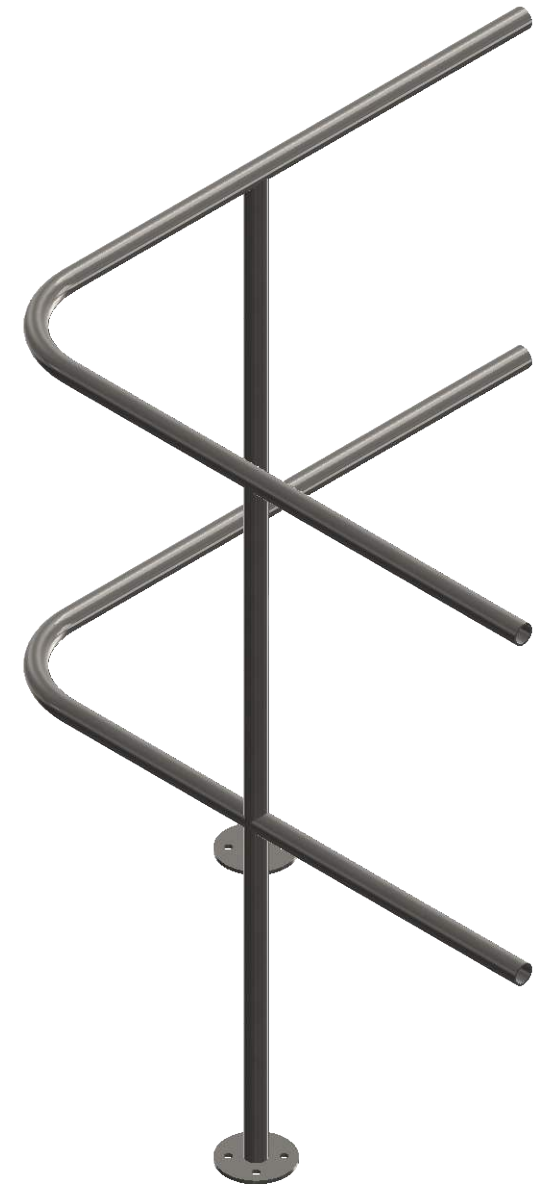
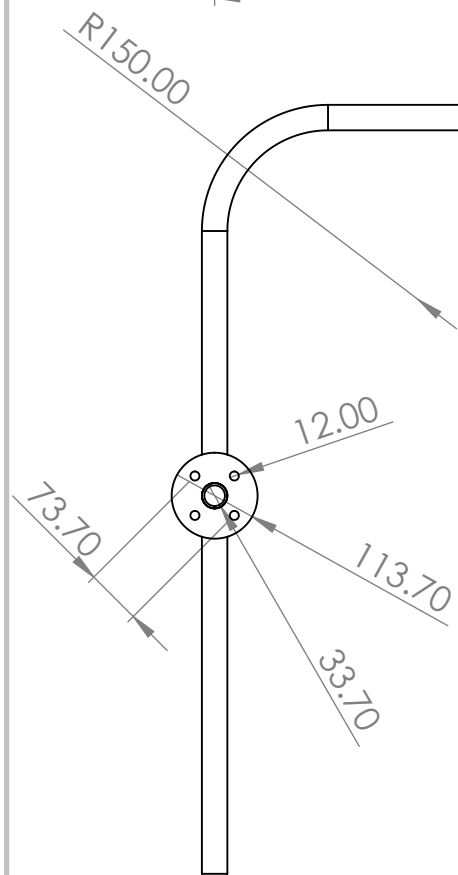
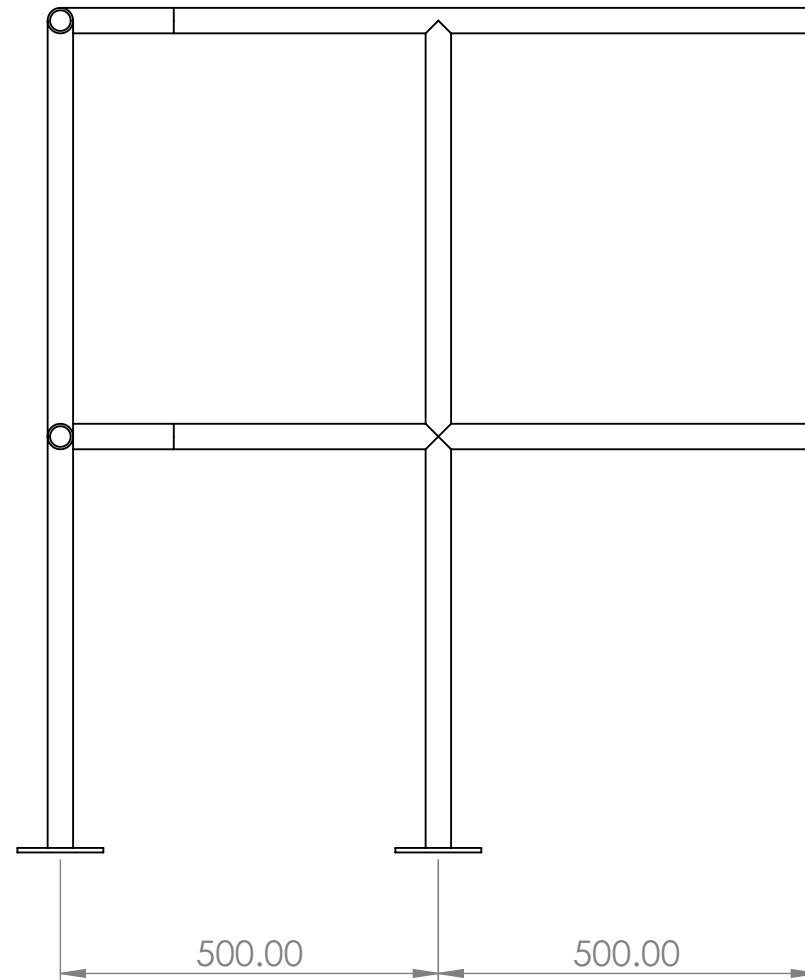
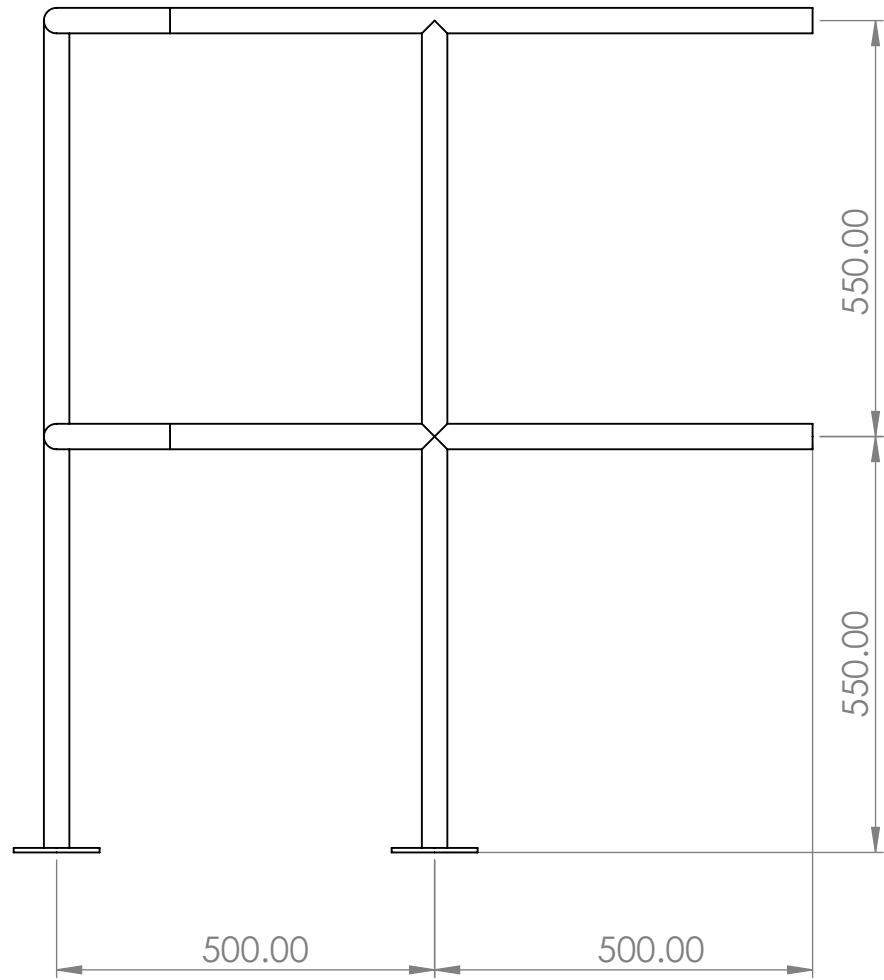



REV	REVISION NOTES	REVISION BY	REVISION DATE
1			
2			
3			
4			



	UNLESS OTHERWISE SPECIFIED: DIMENSIONS ARE IN MILLIMETERS TOLERANCES: X: 2.5 X.XX: 0.13 X.X: 0.25 X.XXX: 0.013		CUSTOMER:	
	MATERIAL: 304L Stainless Steel		DESCRIPTION: Stainless Steel Handrail corner section 1000mm long	
FINISH: Brushed WEIGHT: 15.56 Kg		BY:	DATE:	DWG NO: THR-SS-CORN1000-D33.7
17 Bridge Street Pendlebury Manchester M27 4DU		DRAWN:	CHECKED:	REV:
DEBUR AND BREAK SHARP EDGES DO NOT SCALE DRAWING IF IN DOUBT ASK!		APPROVED:	SHEET SCALE: 1:20	SHEET SIZE: A3
			SHEET NUMBER: 1 OF 1	