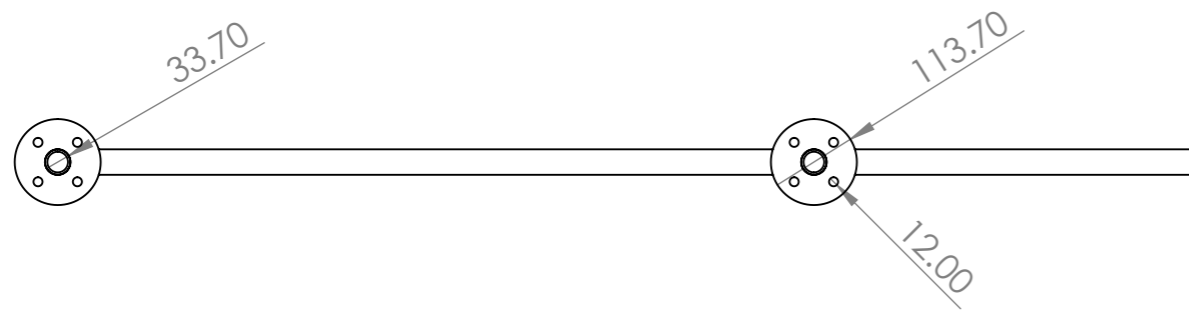
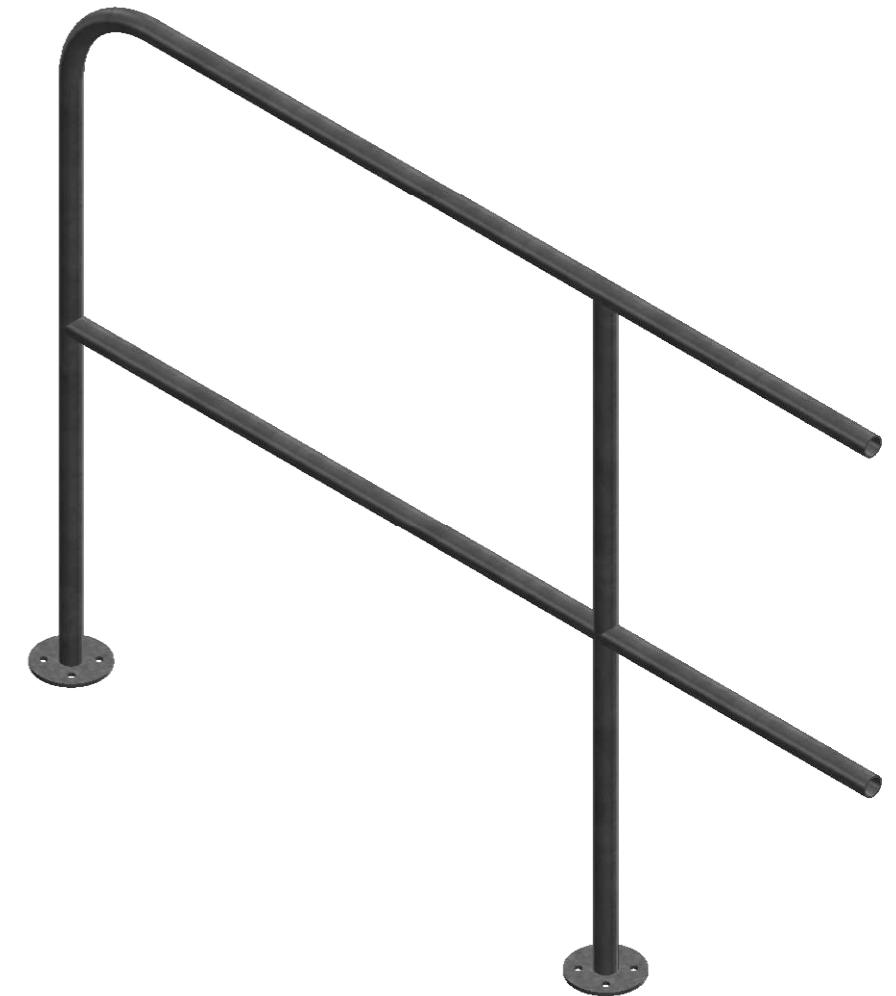
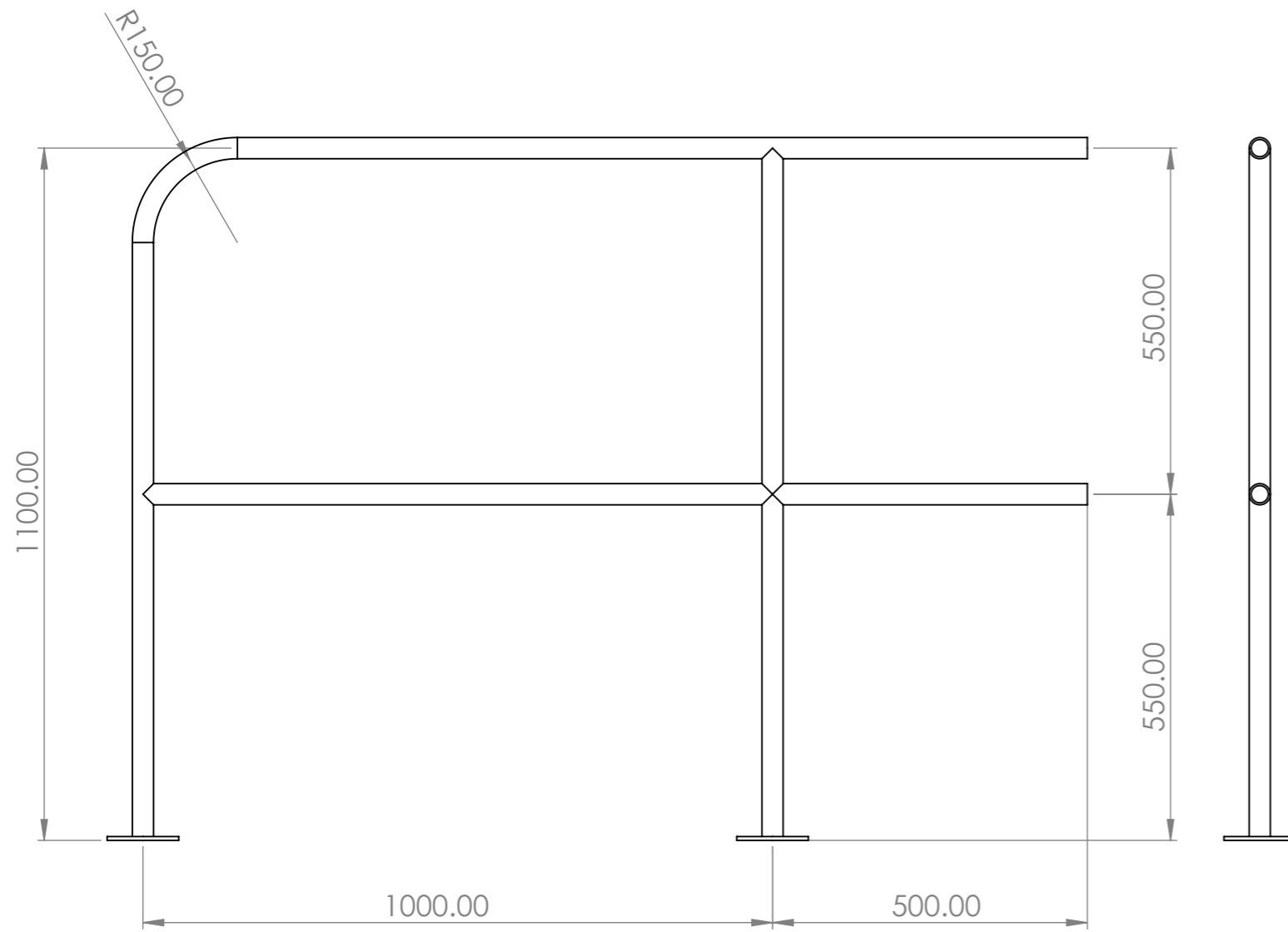



REV	REVISION NOTES	REVISION BY	REVISION DATE
1			
2			
3			
4			



 <b>METAL PRODUCTS DIRECT</b>	UNLESS OTHERWISE SPECIFIED: DIMENSIONS ARE IN MILLIMETERS TOLERANCES: X: 2.5 X.XX: 0.13 X.X: 0.25 X.XXX: 0.013	CUSTOMER:	
	MATERIAL: Mild Steel FINISH: Galvanized WEIGHT: Kg 13.15	DESCRIPTION: 33.7mm Galv handrail end section 1500mm long	
17 Bridge Street Pendlebury Manchester M27 4DU	BY: _____ DATE: _____ DRAWN: _____ CHECKED: _____ APPROVED: _____	DWG NO: <b>THR-G-END1500-D33.7</b>	REV:
DEBUR AND BREAK SHARP EDGES DO NOT SCALE DRAWING <b>IF IN DOUBT ASK!</b>	SHEET SCALE: 1:10 SHEET SIZE: A3 SHEET NUMBER: 1 OF 1		