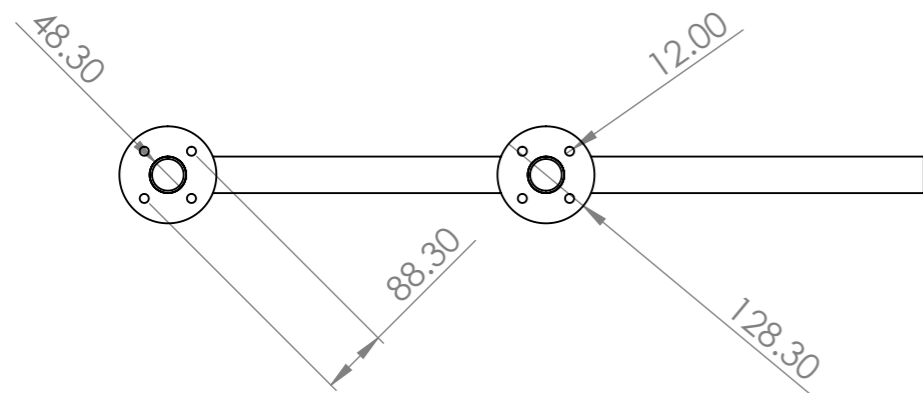
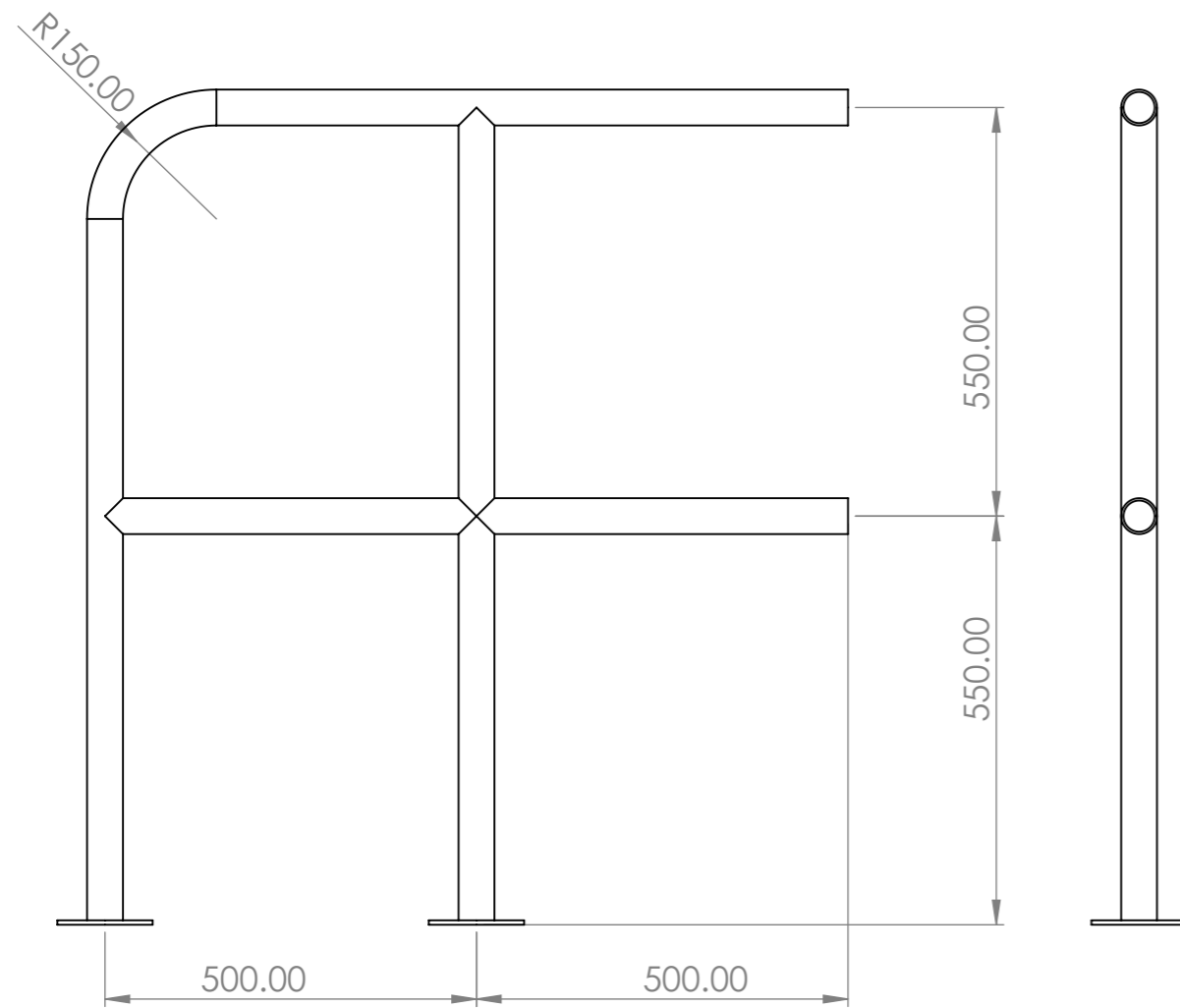



REV	REVISION NOTES	REVISION BY	REVISION DATE
1			
2			
3			
4			



 <b>METAL PRODUCTS DIRECT</b>	UNLESS OTHERWISE SPECIFIED: DIMENSIONS ARE IN MILLIMETERS TOLERANCES: X: 2.5 X.XX: 0.13 X.X: 0.25 X.XXX: 0.013		CUSTOMER:	
	MATERIAL: Mild Steel		DESCRIPTION: Galvanized handrail end section 1000mm long	
17 Bridge Street Pendlebury Manchester M27 4DU	FINISH: Galvanized WEIGHT: 15.52 Kg		DWG NO: THR-G-END1000-D48.3	
	DEBUR AND BREAK SHARP EDGES DO NOT SCALE DRAWING <b>IF IN DOUBT ASK!</b>		BY:	DATE:
		DRAWN:	REV:	
		CHECKED:	SHEET SCALE: 1:10	
		APPROVED:	SHEET SIZE: A3	SHEET NUMBER: 1 OF 1