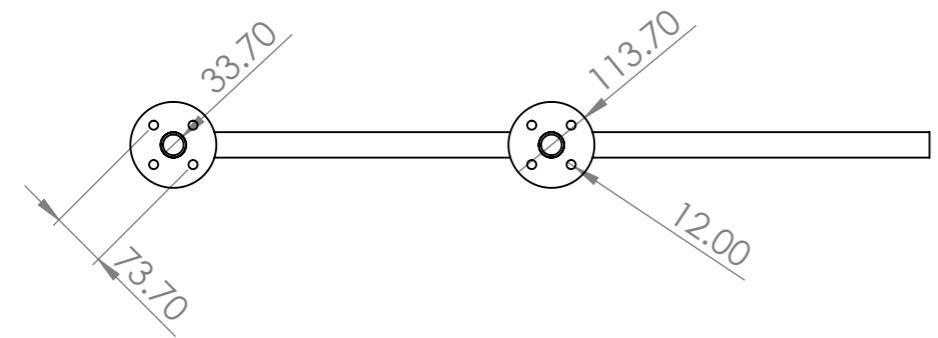
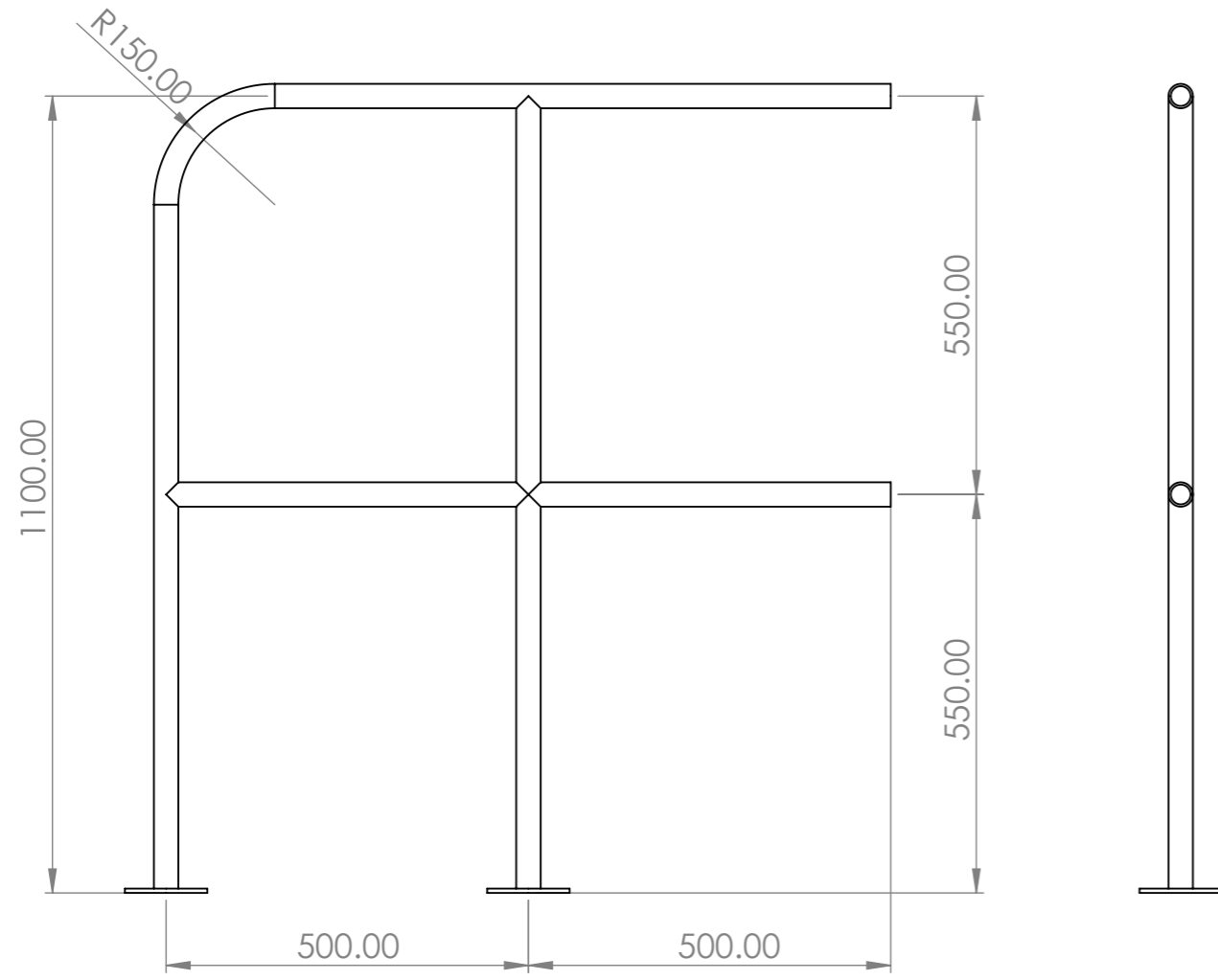



REV	REVISION NOTES	REVISION BY	REVISION DATE
1			
2			
3			
4			



 <b>METAL PRODUCTS DIRECT</b>	UNLESS OTHERWISE SPECIFIED: DIMENSIONS ARE IN MILLIMETERS TOLERANCES: X: 2.5 X.XX: 0.13 X.X: 0.25 X.XXX: 0.013	CUSTOMER:	
	MATERIAL: Mild Steel	DESCRIPTION: Galv Handrail end section 1000mm long	
FINISH: Galvanized WEIGHT: Kg 10.7	BY: _____ DATE: _____	DWG NO: <b>THR-G-END1000-D33.7</b>	
DEBUR AND BREAK SHARP EDGES DO NOT SCALE DRAWING <b>IF IN DOUBT ASK!</b>	DRAWN: _____ CHECKED: _____ APPROVED: _____	REV: _____	SHEET SCALE: 1:10 SHEET SIZE: A3 SHEET NUMBER: 1 OF 1