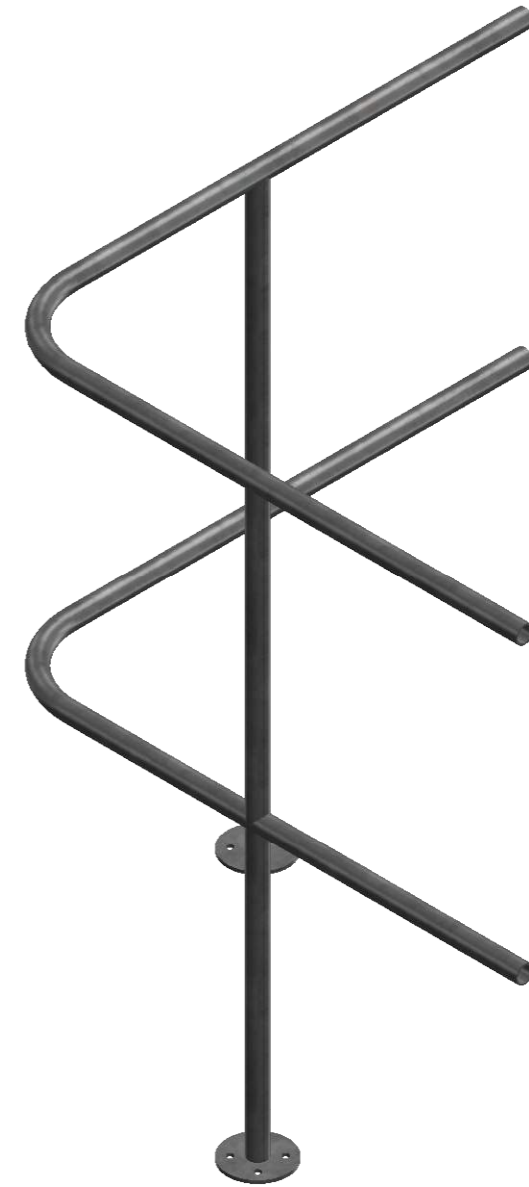
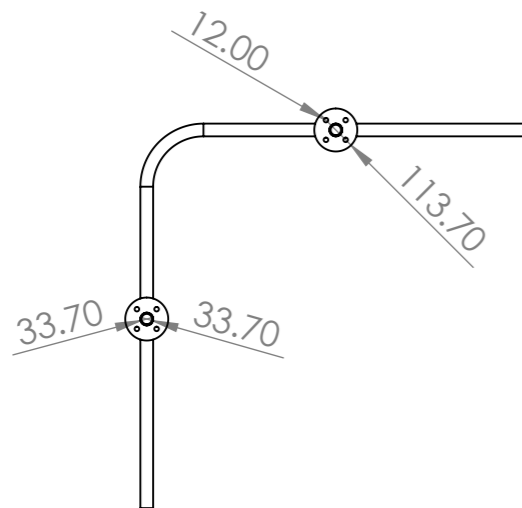
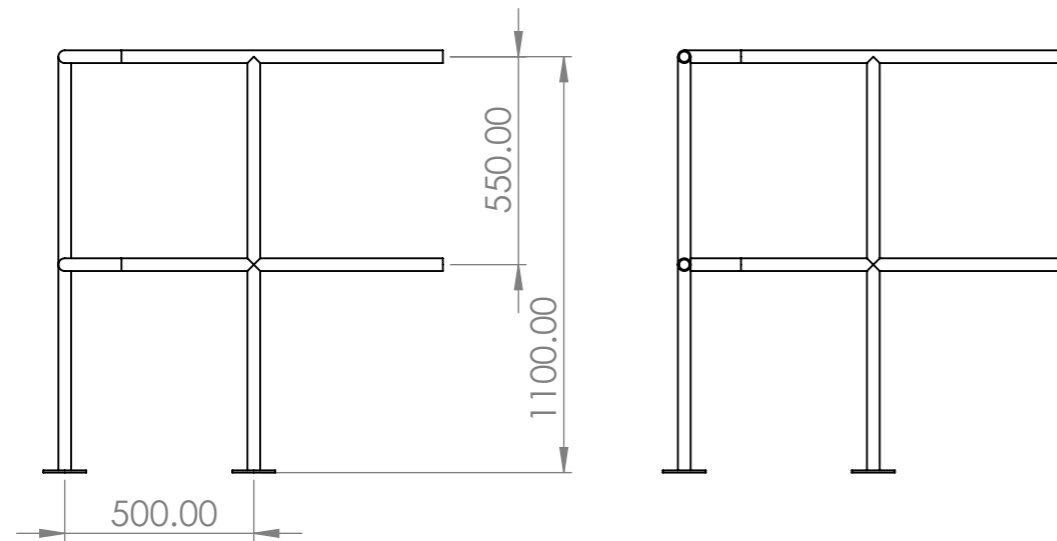
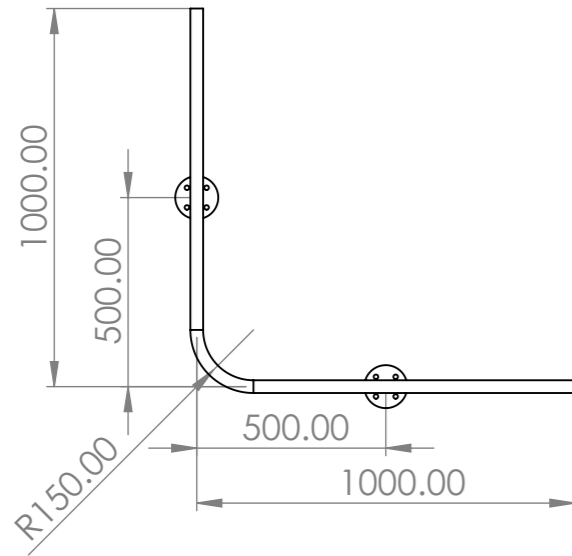



REV	REVISION NOTES	REVISION BY	REVISION DATE
1			
2			
3			
4			



 METAL PRODUCTS DIRECT	UNLESS OTHERWISE SPECIFIED: DIMENSIONS ARE IN MILLIMETERS TOLERANCES: X: 2.5 X.XX: 0.13 X.X: 0.25 X.XXX: 0.013		CUSTOMER:	
	MATERIAL: Mild Steel		DESCRIPTION: Galv Handrial corner section 1000mm long	
17 Bridge Street Pendlebury Manchester M27 4DU	FINISH: Galvanized WEIGHT: 15.30 Kg		DWG NO: THR-G-CORN1000-D33.7	
	DEBUR AND BREAK SHARP EDGES DO NOT SCALE DRAWING IF IN DOUBT ASK!		BY:	DATE:
		DRAWN:	REV:	
		CHECKED:	SHEET SCALE: 1:20	
		APPROVED:	SHEET SIZE: A3	
				SHEET NUMBER: 1 OF 1