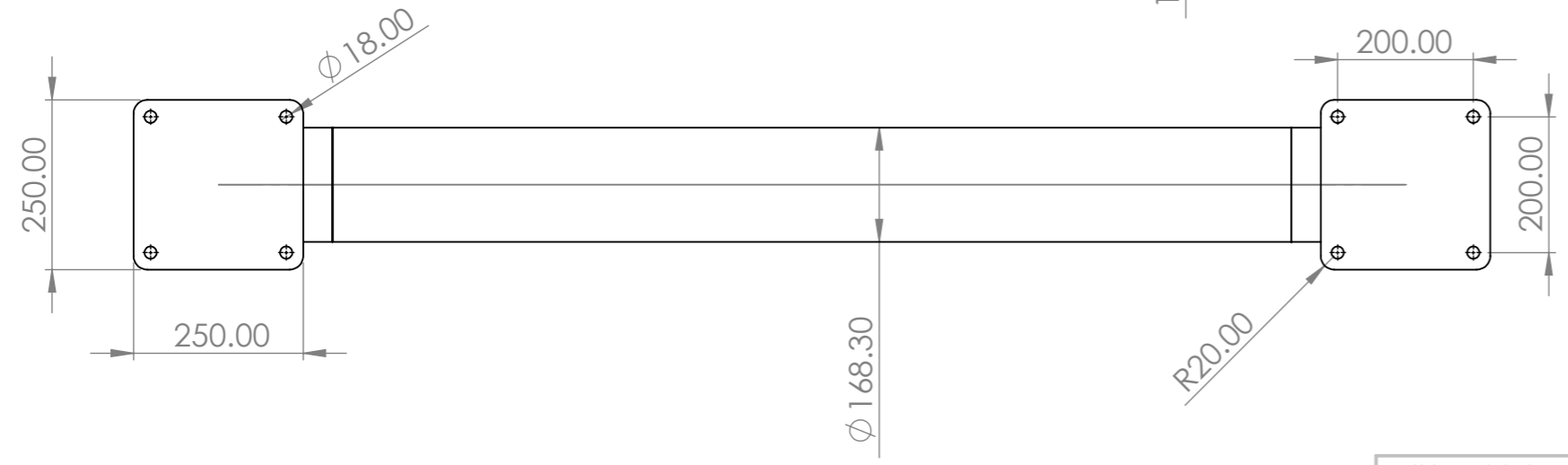
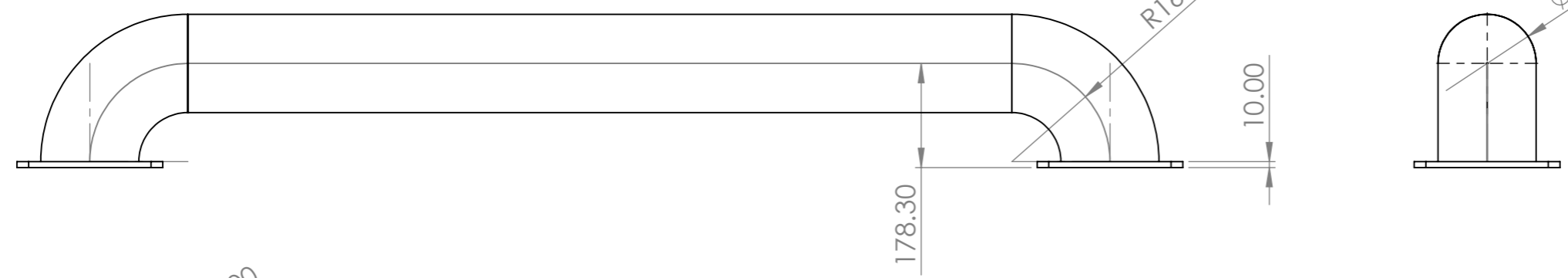
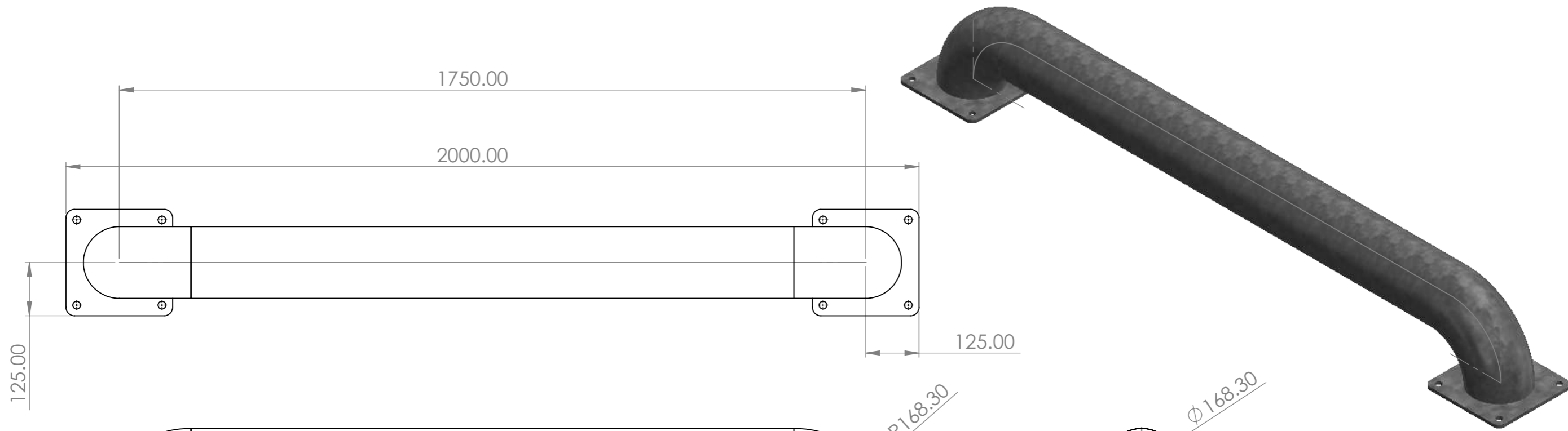


8 7 6 5 4 3 2 1

F

F



D

D

C

C


B

B

A

A

8 7 6 5 4 3 2 1

UNLESS OTHERWISE SPECIFIED: DIMENSIONS ARE IN MILLIMETERS				FINISH: Galvanized		DEBURR AND BREAK SHARP EDGES		DO NOT SCALE DRAWING		REVISION	
SURFACE FINISH: TOLERANCES: LINEAR: ANGULAR:										TITLE: Straight Wheel Guide (Pair) L2000 x D168.3 Galvanized	
DRAWN		NAME		SIGNATURE		DATE				DWG NO. SWG-G-PC-L2000-H253-D168.3	
CHK'D											
APPV'D											
MFG											
Q.A											
				MATERIAL: Galvanized Steel				SCALE:1:10		SHEET 1 OF 1	
				WEIGHT: 48.9KG						A3	