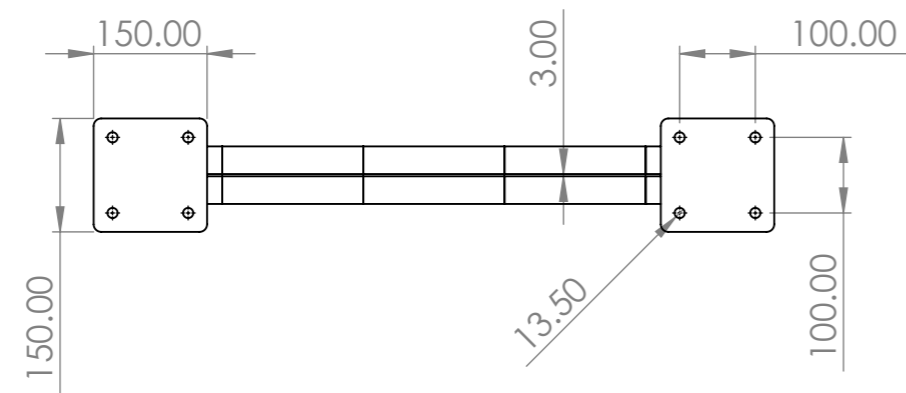
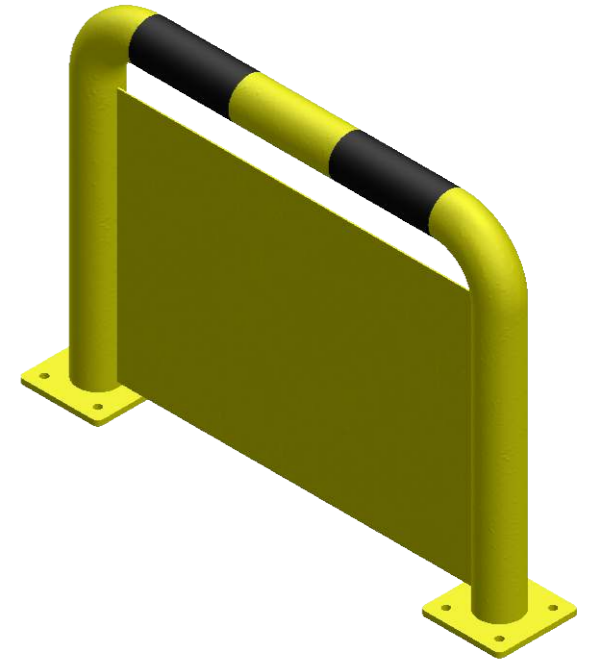
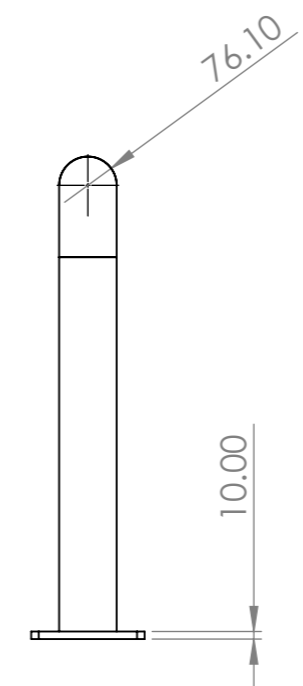
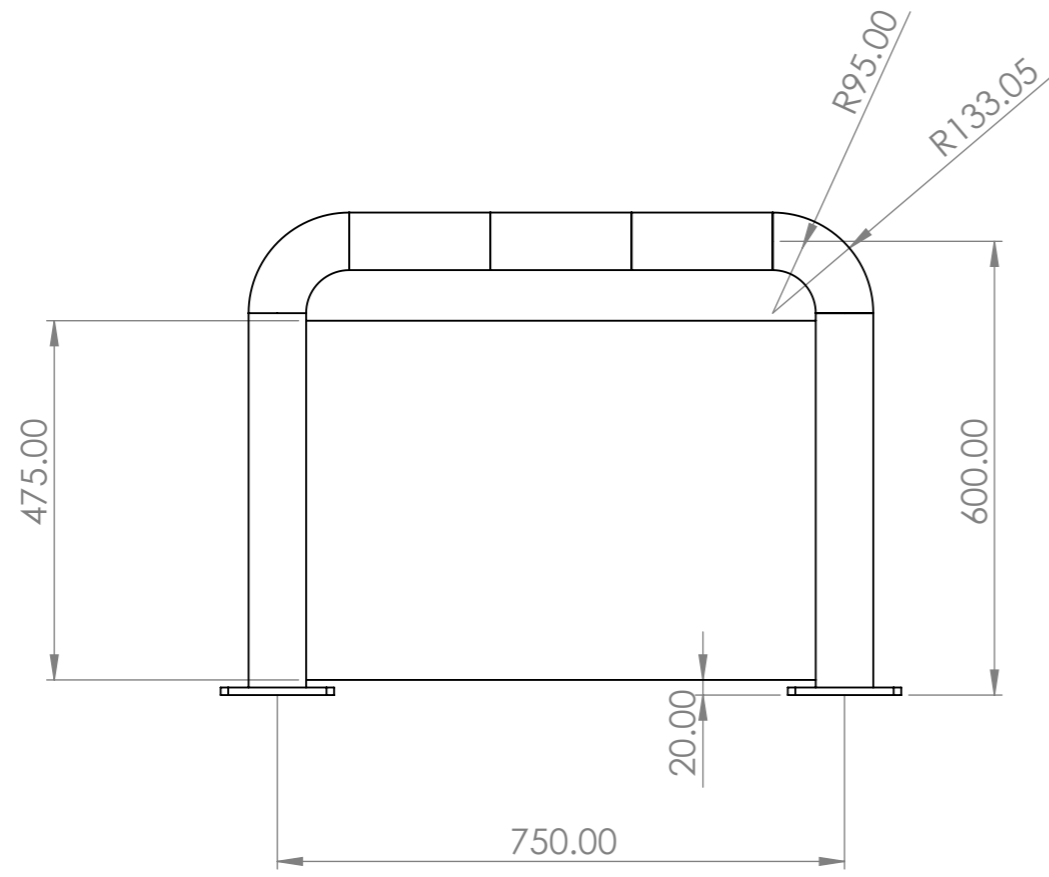



REV	REVISION NOTES	REVISION BY	REVISION DATE
1			
2			
3			
4			



 <b>METAL PRODUCTS DIRECT</b>	UNLESS OTHERWISE SPECIFIED: DIMENSIONS ARE IN MILLIMETERS TOLERANCES: X: 2.5 X.XX: 0.13 X.X: 0.25 X.XXX: 0.013		CUSTOMER:	
	MATERIAL: Plain Carbon Steel		DESCRIPTION: <b>Straight Guard With Infill</b> <b>L750mm x H600mm</b>	
17 Bridge Street Pendlebury Manchester M27 4DU	FINISH: Powdercoated WEIGHT: 20.51 Kg	BY: _____ DATE: _____	DWG NO: <b>SGWI-L750-H600-D76</b>	
DEBUR AND BREAK SHARP EDGES DO NOT SCALE DRAWING <b>IF IN DOUBT ASK!</b>	DRAWN: LH CHECKED: _____ APPROVED: _____	REV: _____	SHEET SCALE: 1:5 SHEET SIZE: A3 SHEET NUMBER: 1 OF 1	