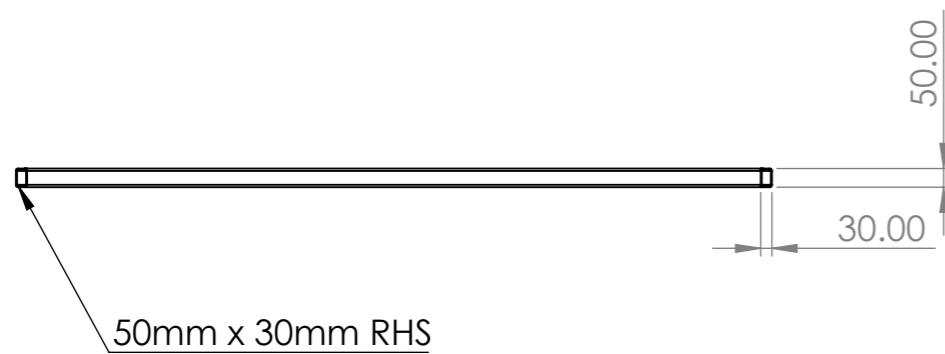
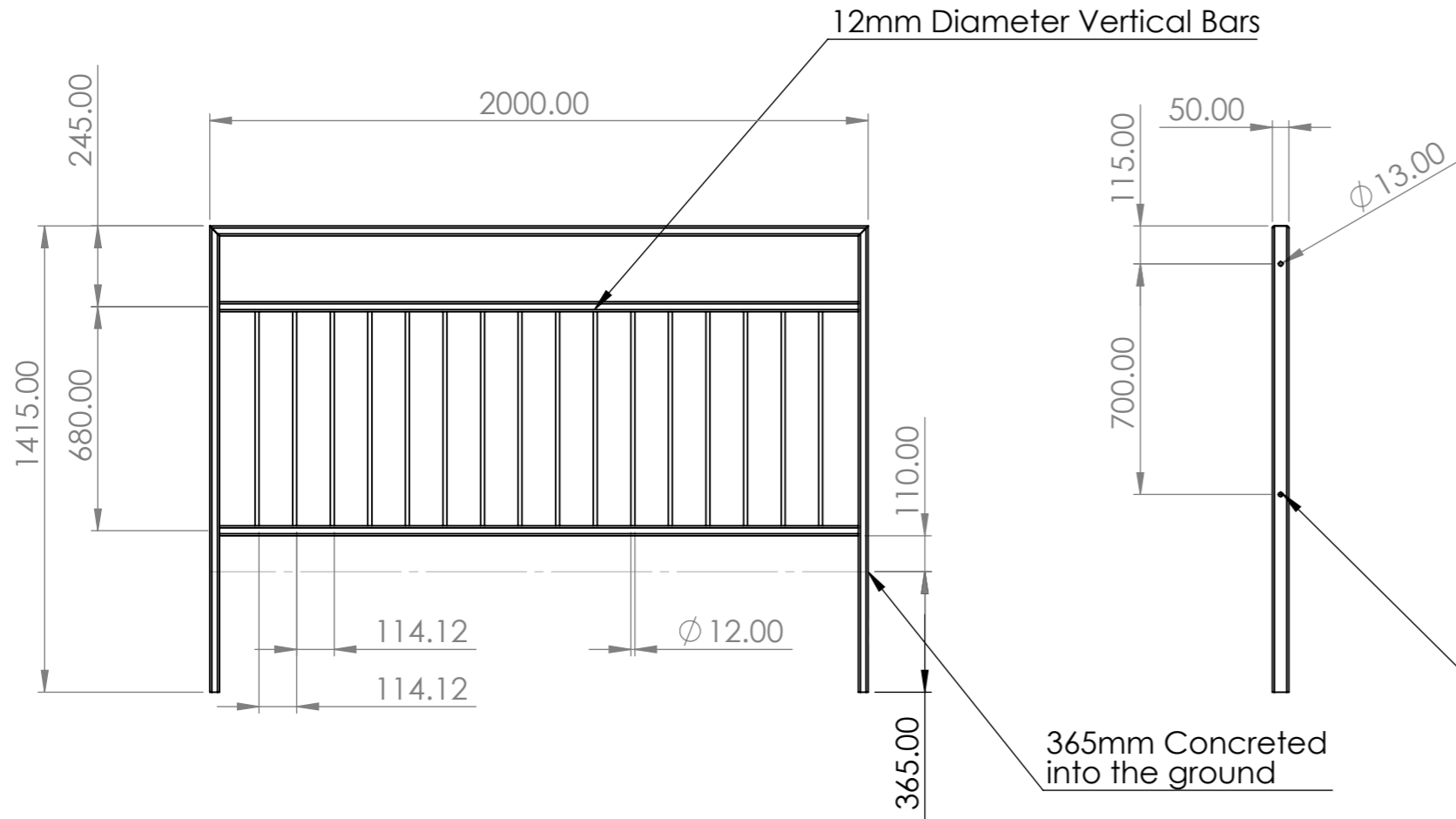



REV	REVISION NOTES	REVISION BY	REVISION DATE
1			
2			
3			
4			



 <b>Alfa Industrial Services LTD</b> 17 Bridge St Pendlebury Manchester M27 4DU	UNLESS OTHERWISE SPECIFIED: DIMENSIONS ARE IN MILLIMETERS TOLERANCES: X: ±2.5      X.XX: ±0.13 X.X: ±0.25    X.XXX: ±0.013		CUSTOMER:	
	MATERIAL: Galvanized Steel		DESCRIPTION: 2000mm x 1050mm above ground roadside pedestrian barrier	
FINISH: WEIGHT: 39501.27 Grams		BY:	DATE:	DWG NO:
DEBUR AND BREAK SHARP EDGES DO NOT SCALE DRAWING <b>IF IN DOUBT ASK!</b>		DRAWN: LH		<b>RS-P-G-L2000-H1415</b>
CHECKED: APPROVED:				REV:
		SHEET SCALE: 1:20		SHEET SIZE: A3
		SHEET NUMBER: 1 OF 1		