

8 7 6 5 4 3 2 1

F

F

E

E

D

D

C

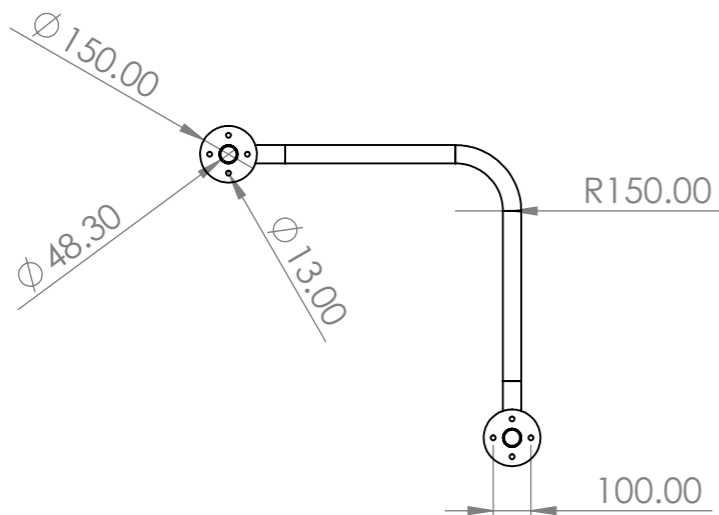
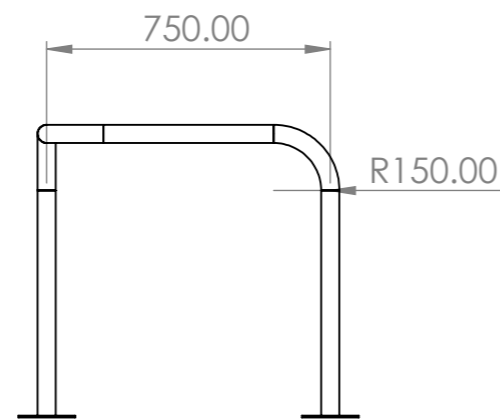
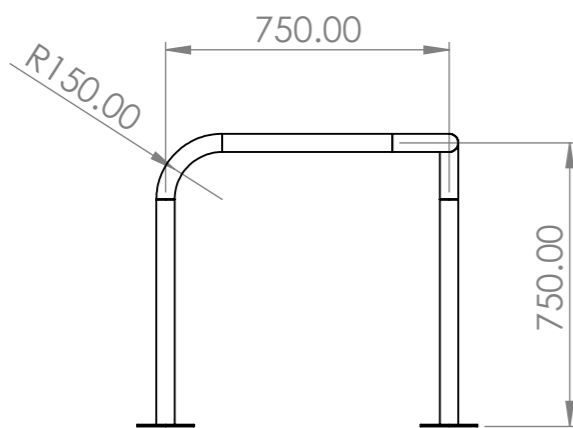
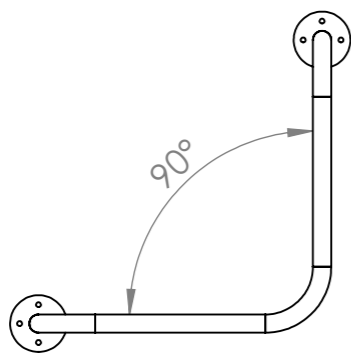
C


B

B

A

A



UNLESS OTHERWISE SPECIFIED: DIMENSIONS ARE IN MILLIMETERS SURFACE FINISH: TOLERANCES: LINEAR: ANGULAR:			FINISH: Brushed Steel		DEBURR AND BREAK SHARP EDGES		DO NOT SCALE DRAWING		REVISION			
												
							TITLE: H750 x L750 x 48.3 Dia Stainless Steel Hooped Corner Barrier					
							DWG NO. HCB-BD-SS-L750-H750-D48.3				A3	
							MATERIAL: 304L		SCALE:1:20		SHEET 1 OF 1	
							WEIGHT: 11405.58					
NAME	SIGNATURE	DATE										
DRAWN												
CHK'D												
APPV'D												
MFG												
Q.A												

8 7 6 5 4 3 2 1