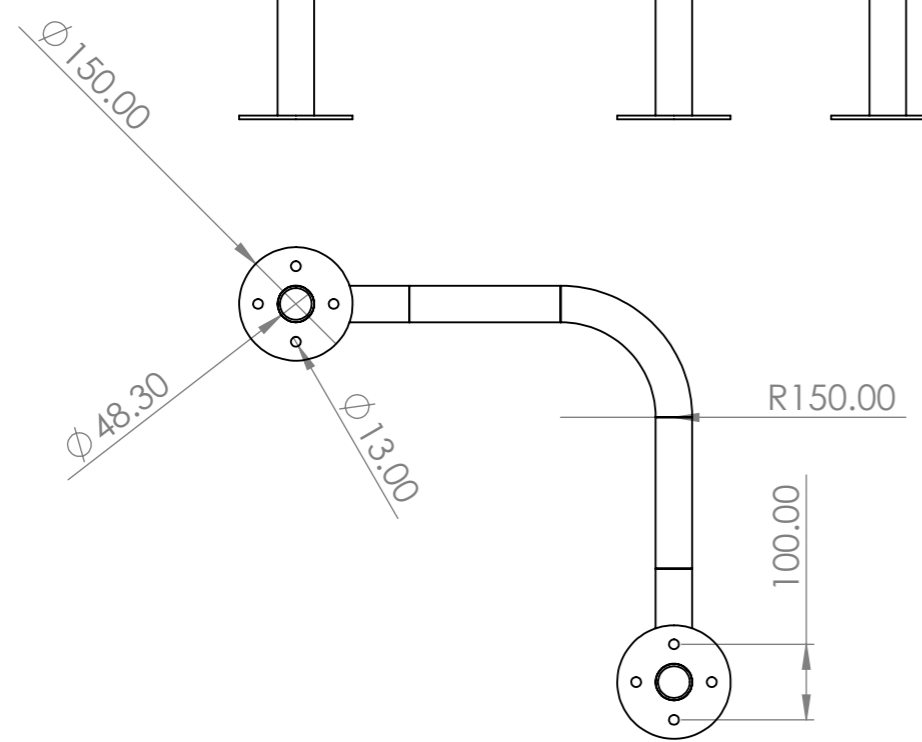
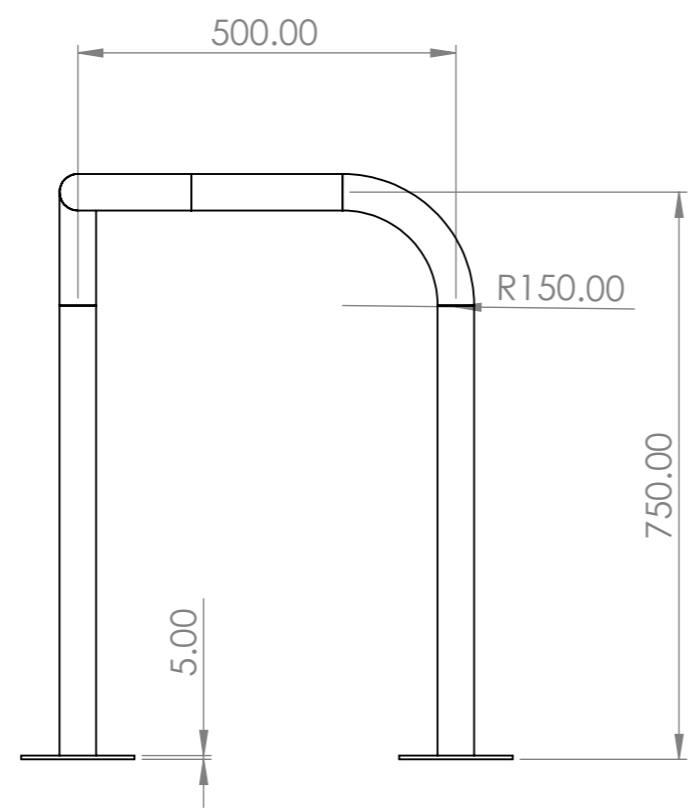
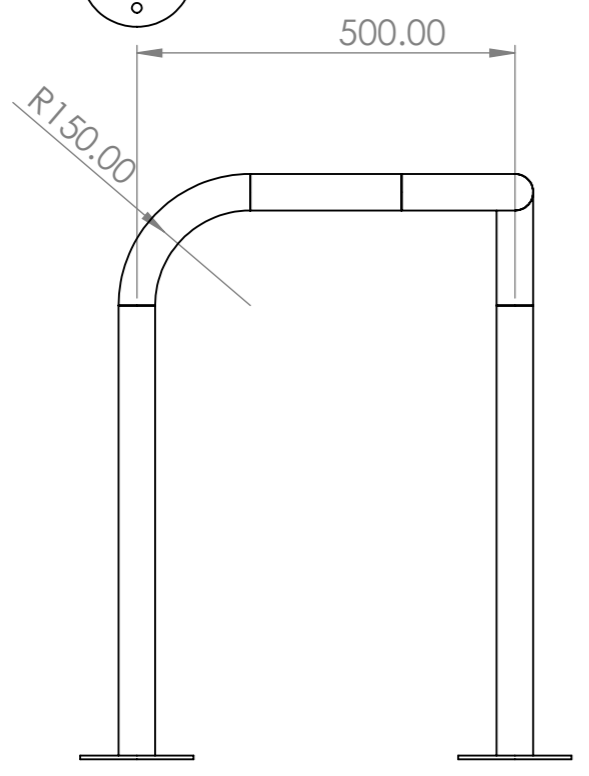
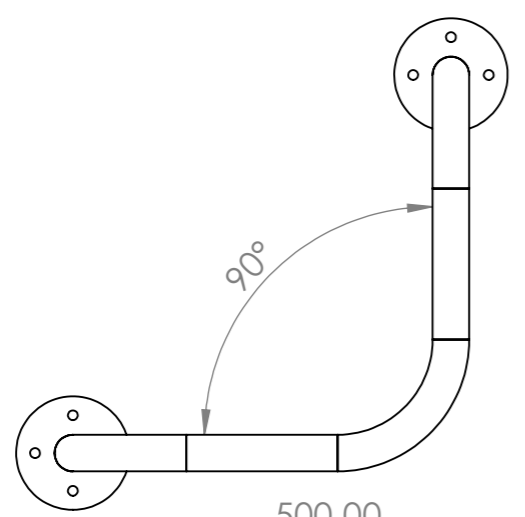


8 7 6 5 4 3 2 1

F
E
D
C
B
A

F
E
D
C
B
A



| | | | | | | | | | | | |
|---|--|--|--|------------------------------|--|------------------------------------|--|---|--|--------------------------------------|--|
| UNLESS OTHERWISE SPECIFIED: DIMENSIONS ARE IN MILLIMETERS SURFACE FINISH: TOLERANCES: LINEAR: ANGULAR: | | | | FINISH: Brushed Steel | | DEBURR AND BREAK SHARP EDGES | | DO NOT SCALE DRAWING | | REVISION | |
| | | | | | | | | | | | |
| | | | | | | | | TITLE: H750 x L500 x 48.3 Dia Stainless Steel Hooped Corner Barrier | | | |
| DRAWN | | | | NAME | | SIGNATURE | | DATE | | DWG NO. HCB-BD-SS-L500-H750-D48.3 | |
| CHK'D | | | | | | | | | | A3 | |
| APPV'D | | | | | | | | | | SCALE:1:10 | |
| MFG | | | | | | | | | | SHEET 1 OF 1 | |
| Q.A | | | | | | | | MATERIAL: 304L | | | |
| | | | | | | | | WEIGHT: 9592.00 | | | |

8 7 6 5 4 3 2 1