

8 7 6 5 4 3 2 1

F

F

E

E

D

D

C

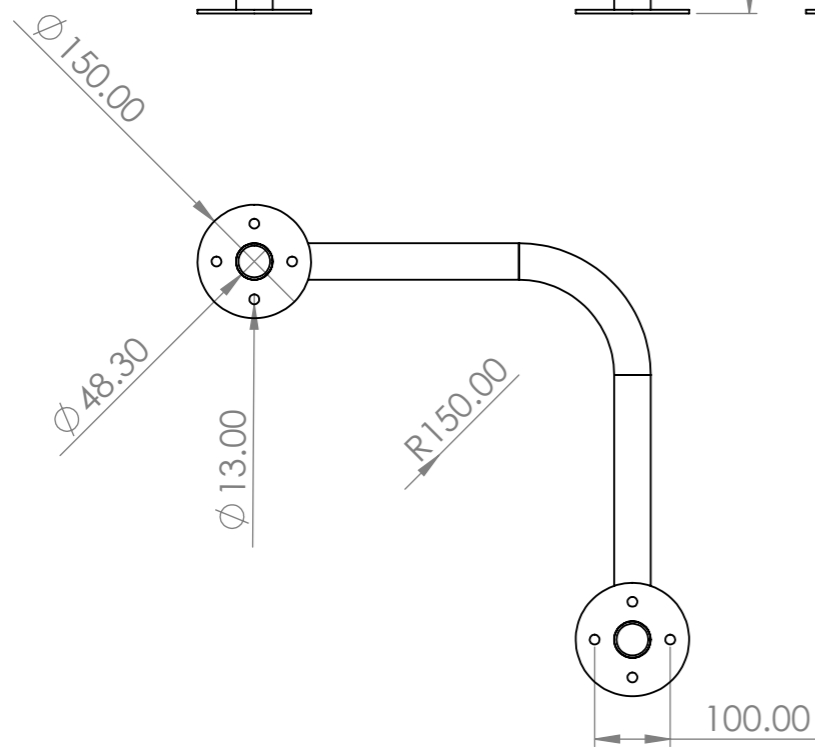
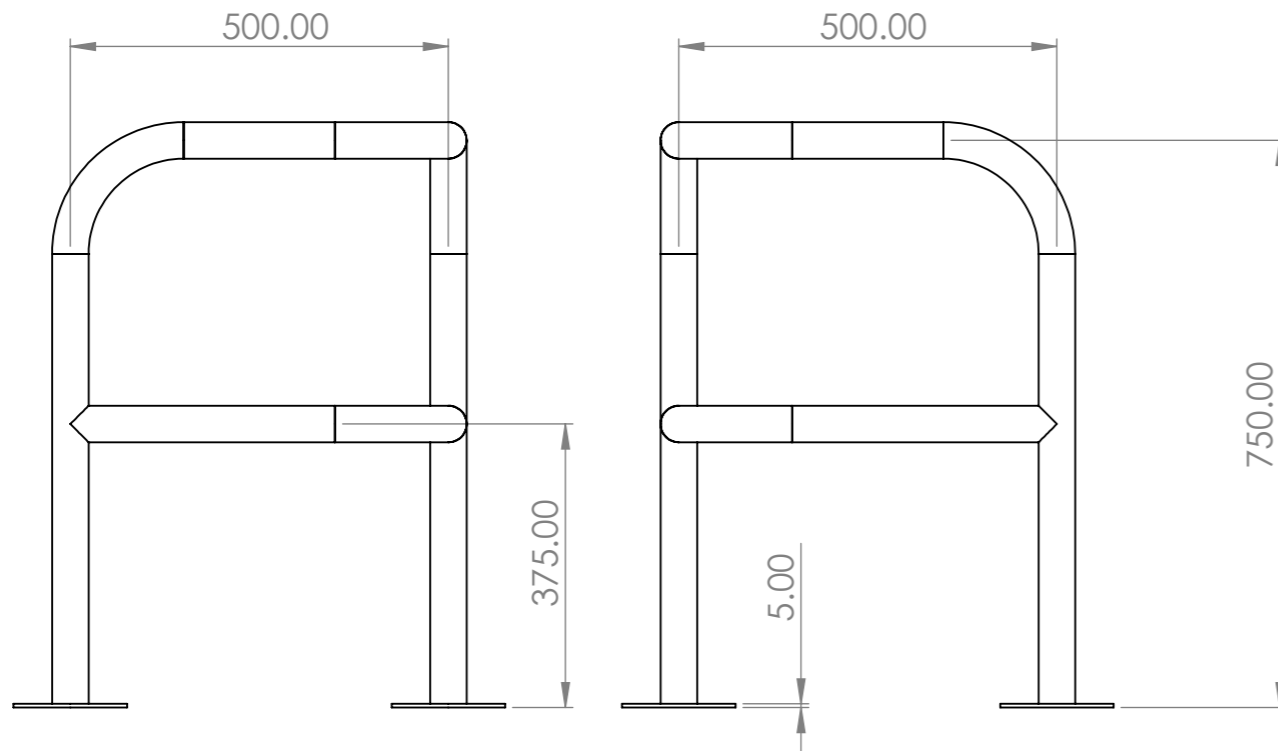
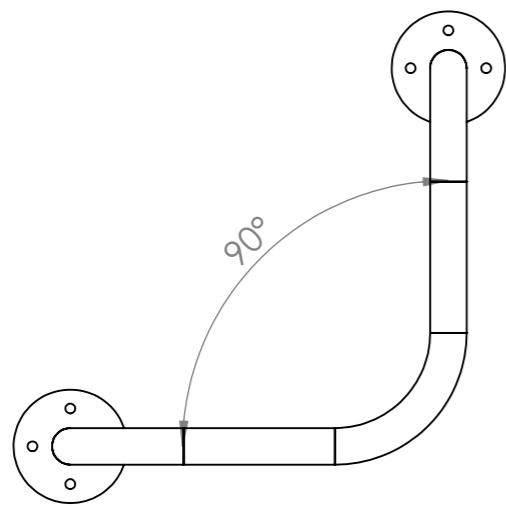
C


B

B

A

A



UNLESS OTHERWISE SPECIFIED: DIMENSIONS ARE IN MILLIMETERS SURFACE FINISH: TOLERANCES: LINEAR: ANGULAR:				FINISH: Brushed Steel		DEBURR AND BREAK SHARP EDGES		DO NOT SCALE DRAWING		REVISION	
											
								TITLE: H750 X L500 X 48.3 Dia Stainless Steel Hooped Corner Barrier With Cross Bar			
								DWG NO. HCB-BD-SS-CB-L500-H750-D48.3		A3	
								MATERIAL: 304L		SCALE:1:10	
								WEIGHT: 12860.86		SHEET 1 OF 1	
DRAWN		NAME		SIGNATURE		DATE					
CHK'D											
APPV'D											
MFG											
Q.A											

8 7 6 5 4 3 2 1