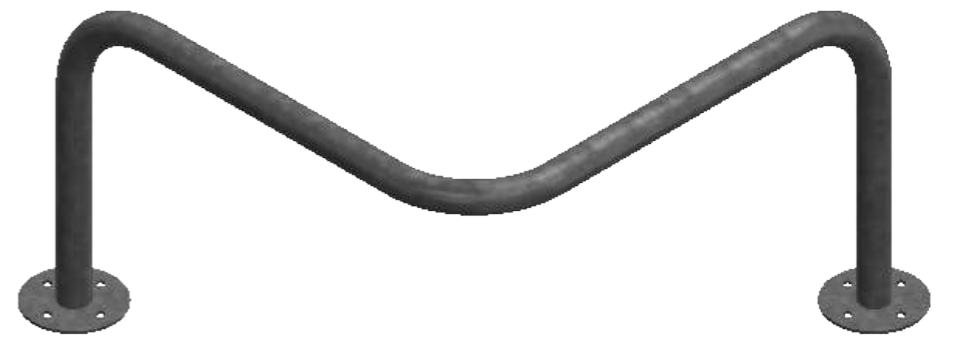
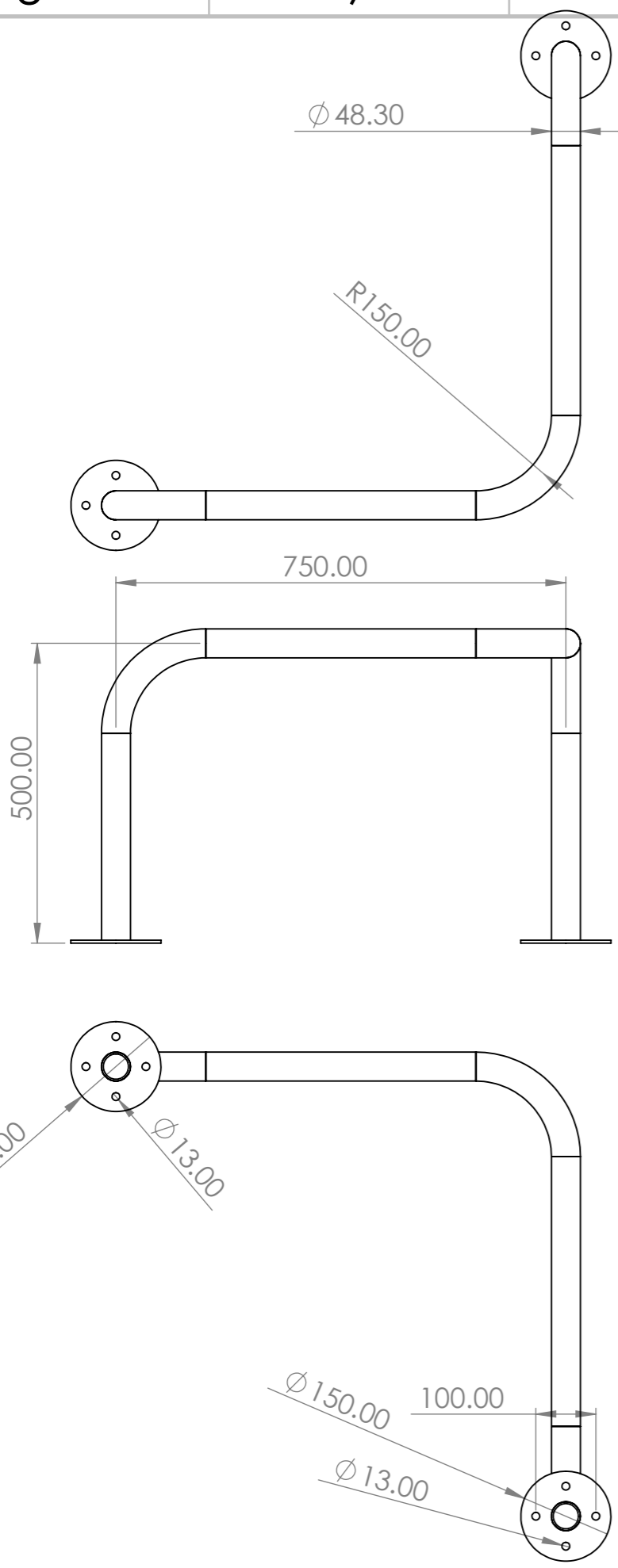


8 7 6 5 4 3 2 1

F
E
D
C
B
A

F
E
D
C
B
A



UNLESS OTHERWISE SPECIFIED: DIMENSIONS ARE IN MILLIMETERS SURFACE FINISH: TOLERANCES: LINEAR: ANGULAR:				FINISH: Galvanized		DEBURR AND BREAK SHARP EDGES		DO NOT SCALE DRAWING		REVISION	
DRAWN				NAME		SIGNATURE		DATE		TITLE: L750 x W750 x H500 Corner Hooped Barrier	
CHK'D										DWG NO. HCB-BD-G-L750-H500-D48.3	
APPV'D										A3	
MFG										SCALE:1:10	
Q.A								MATERIAL: Mild Steel		SHEET 1 OF 1	
								WEIGHT: 9436.13			

8 7 6 5 4 3 2 1

A

A