

8 7 6 5 4 3 2 1

F

F

E

E

D

D

C

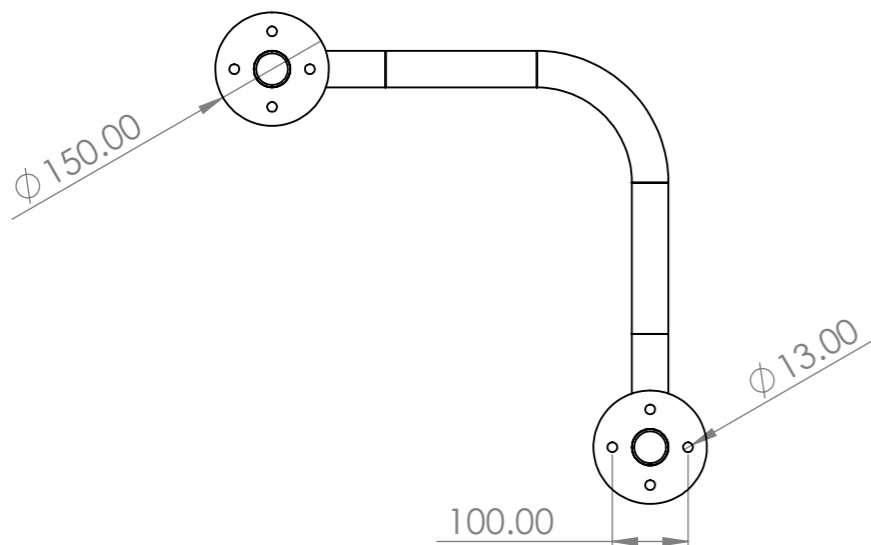
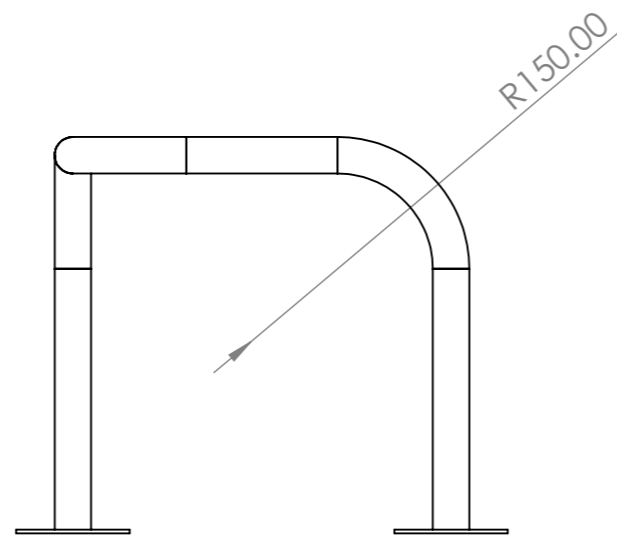
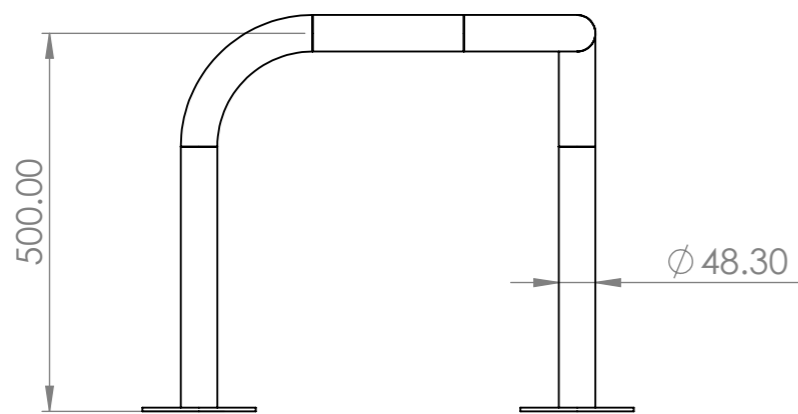
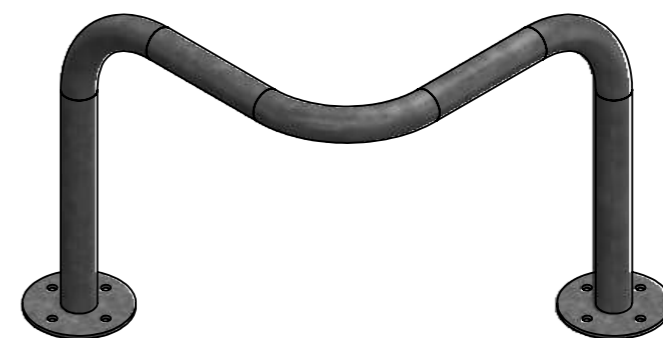
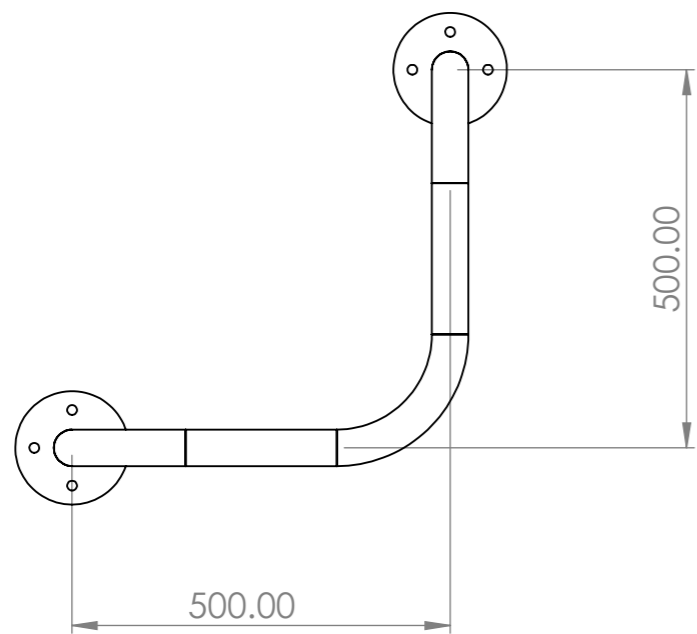
C

B

B

A

A



UNLESS OTHERWISE SPECIFIED: DIMENSIONS ARE IN MILLIMETERS SURFACE FINISH: TOLERANCES: LINEAR: ANGULAR:				FINISH: Galvanized		DEBURR AND BREAK SHARP EDGES		DO NOT SCALE DRAWING		REVISION	
								TITLE: 500 x 500 x 48.3 Corner Barrier			
DRAWN				NAME		SIGNATURE		DATE		DWG NO. HCB-BD-G-L500-H500-D48.3	
CHK'D										A3	
APPV'D											
MFG											
Q.A								MATERIAL: Mild Steel		SCALE:1:10	
								WEIGHT: 7652.02		SHEET 1 OF 1	

8 7 6 5 4 3 2 1