

8 7 6 5 4 3 2 1

F

F

E

E

D

D

C

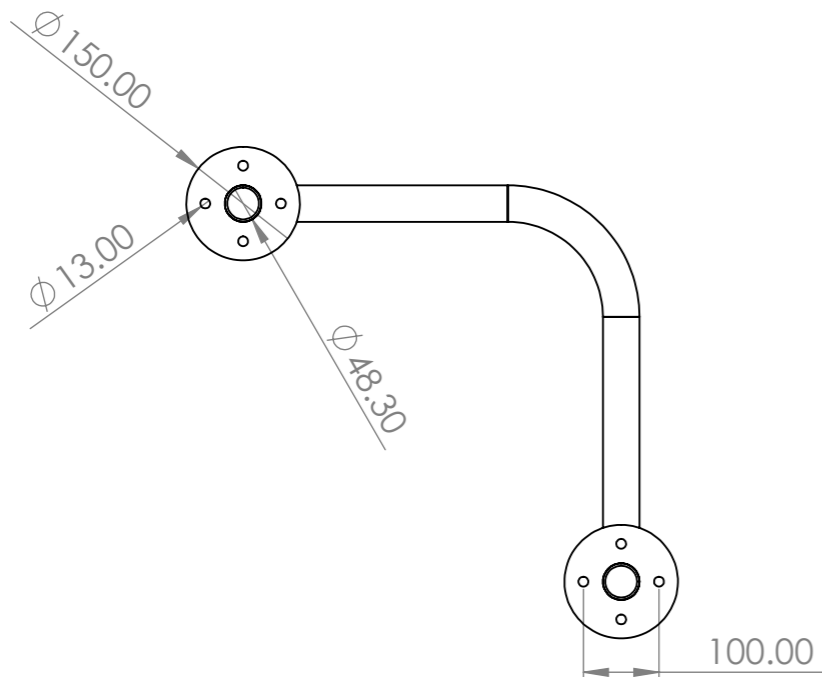
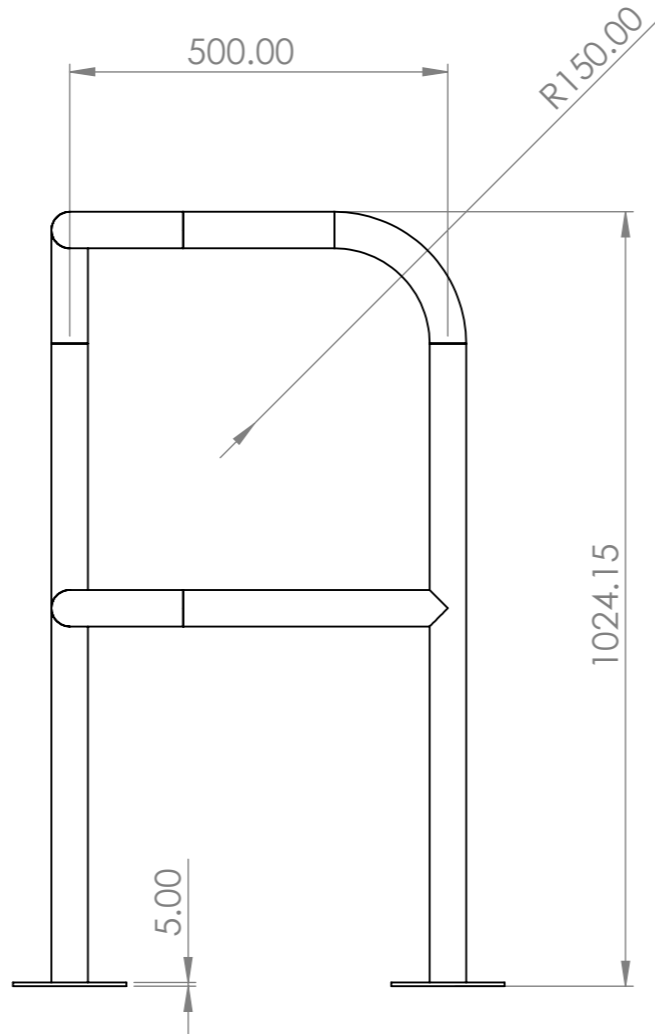
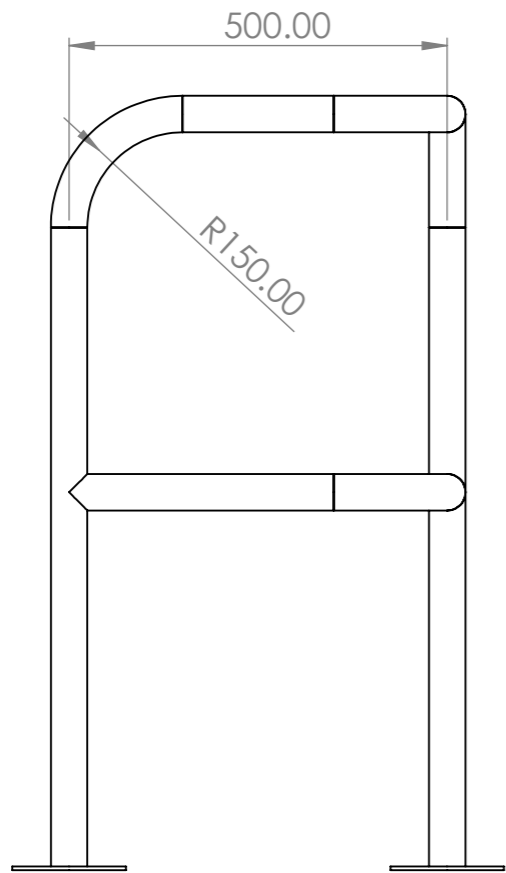
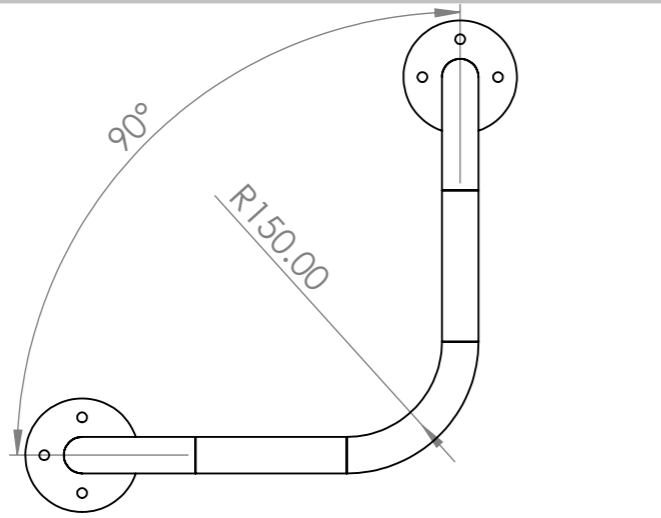
C

B

B

A

A



UNLESS OTHERWISE SPECIFIED: DIMENSIONS ARE IN MILLIMETERS SURFACE FINISH: TOLERANCES: LINEAR: ANGULAR:				FINISH:  Galvanized		DEBURR AND BREAK SHARP EDGES		DO NOT SCALE DRAWING		REVISION	
								TITLE: H1000 x L500 48.3 Dia Galv Hooped Corner Barrier With Cross Bar			
								DWG NO. HCB-BD-CB-G-L500-H1000-D48.3			
								MATERIAL: Mild Steel		A3	
								WEIGHT: 14435.98		SCALE: 1:10	
								SHEET 1 OF 1			

8 7 6 5 4 3 2 1