

8 7 6 5 4 3 2 1

F

F

E

E

D

D

C

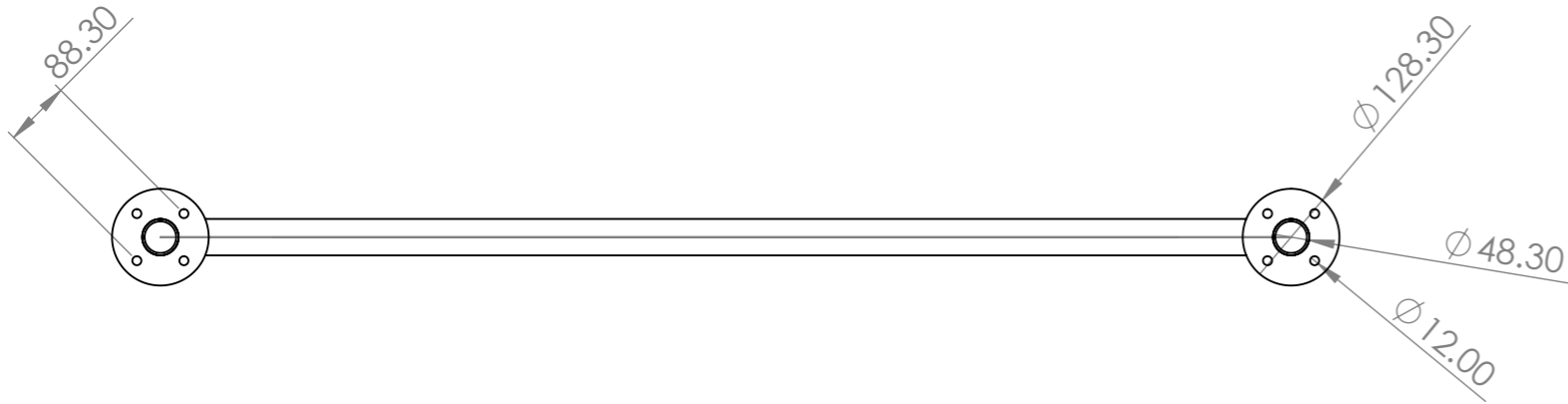
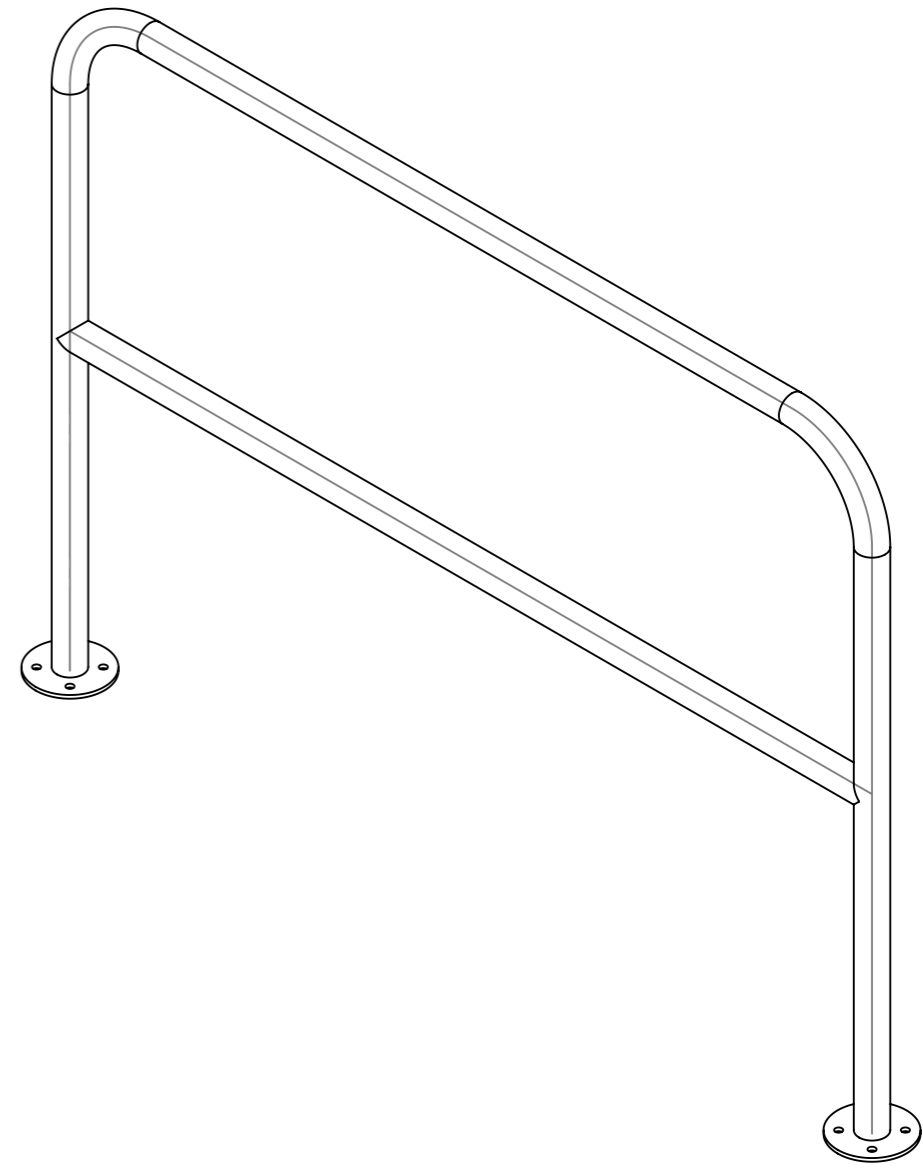
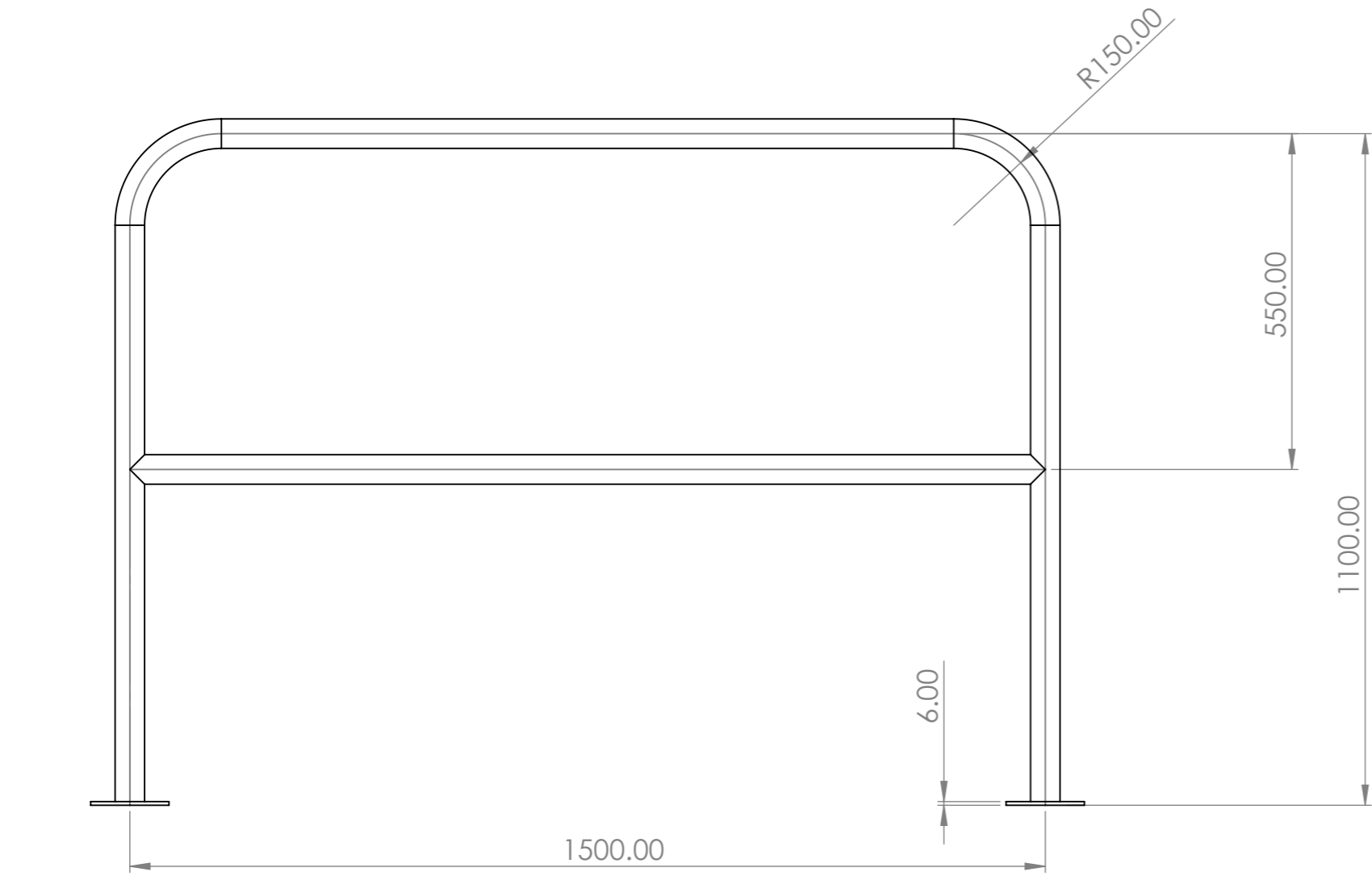
C


B

B

A

A



UNLESS OTHERWISE SPECIFIED: DIMENSIONS ARE IN MILLIMETERS SURFACE FINISH: TOLERANCES: LINEAR: ANGULAR:			FINISH: brushed		DEBURR AND BREAK SHARP EDGES		DO NOT SCALE DRAWING		REVISION			
												
DRAWN			NAME		SIGNATURE				DATE		TITLE: L1500 x H1100 x 48.3dia hooped barrier with cross bar	
CHK'D												
APPV'D												
MFG												
Q.A							MATERIAL: Stainless Steel		DWG NO. HB-BD-SS-CB-L1500-H1100-D48.3			
							WEIGHT: 19290.82		SCALE:1:10			
									SHEET 1 OF 1			

8 7 6 5 4 3 2 1