

8 7 6 5 4 3 2 1

F

F

E

E

D

D

C

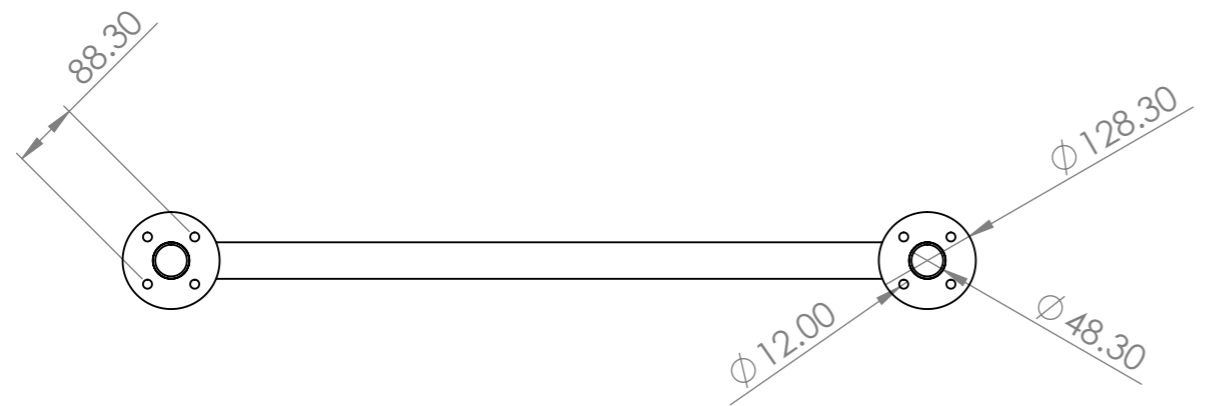
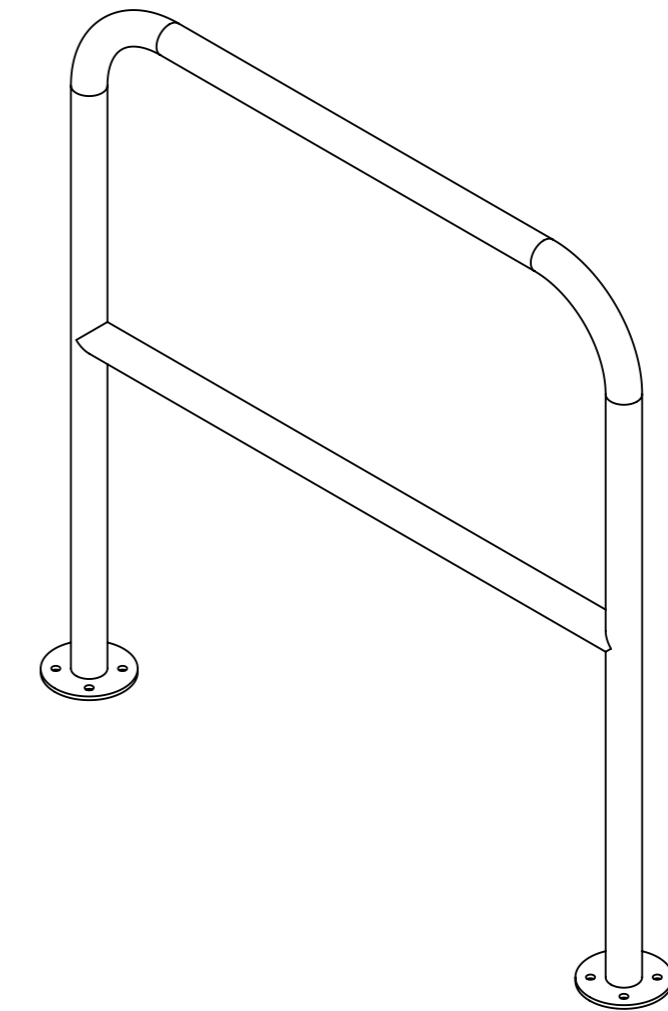
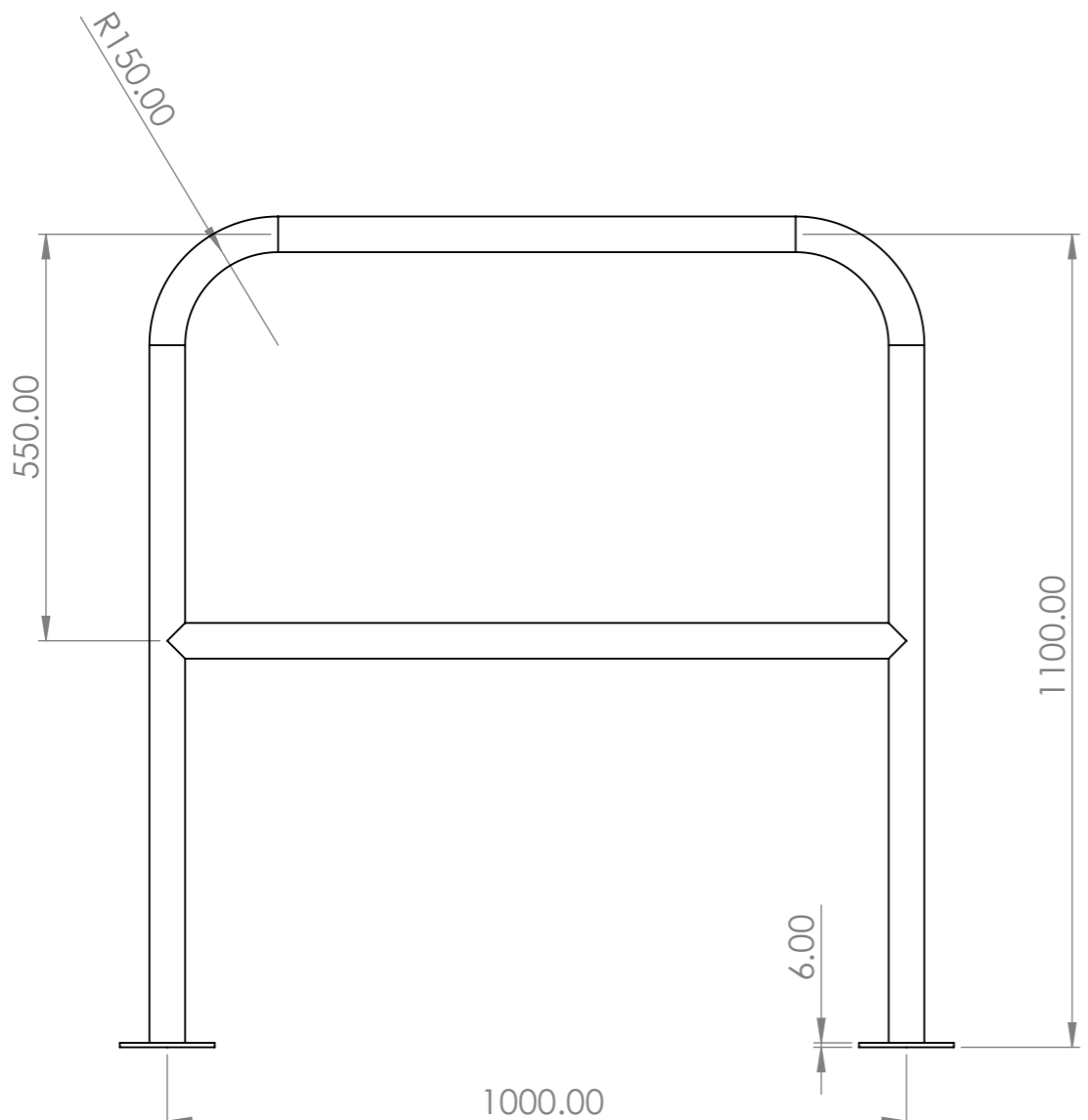
C

B

B

A

A



| | | | | | | | | | | | |
|---|--|--|--|------------------------|--|------------------------------------|--|--|--|--|--|
| UNLESS OTHERWISE SPECIFIED: DIMENSIONS ARE IN MILLIMETERS SURFACE FINISH: TOLERANCES: LINEAR: ANGULAR: | | | | FINISH: Brushed | | DEBURR AND BREAK SHARP EDGES | | DO NOT SCALE DRAWING | | REVISION | |
| | | | | | | | | | | | |
| | | | | | | | | TITLE: L1000 x H1100 x 48.3dia hooped barrier with cross bar | | | |
| DRAWN | | | | NAME | | SIGNATURE | | DATE | | DWG NO. HB-BD-SS-CB-L1000-H1100-D48.3 | |
| CHK'D | | | | | | | | | | A3 | |
| APPV'D | | | | | | | | | | SCALE:1:10 | |
| MFG | | | | | | | | | | SHEET 1 OF 1 | |
| Q.A | | | | | | | | MATERIAL: Stainless steel | | WEIGHT: 15663.99 | |

8 7 6 5 4 3 2 1