

8 7 6 5 4 3 2 1

F

F

E

E

D

D

C

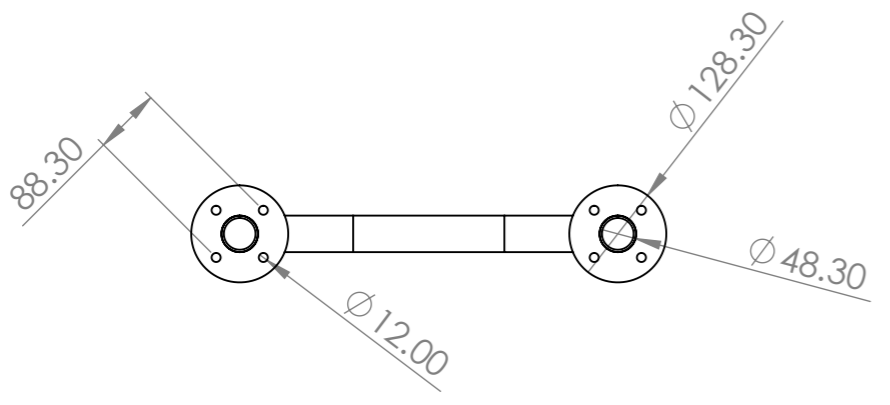
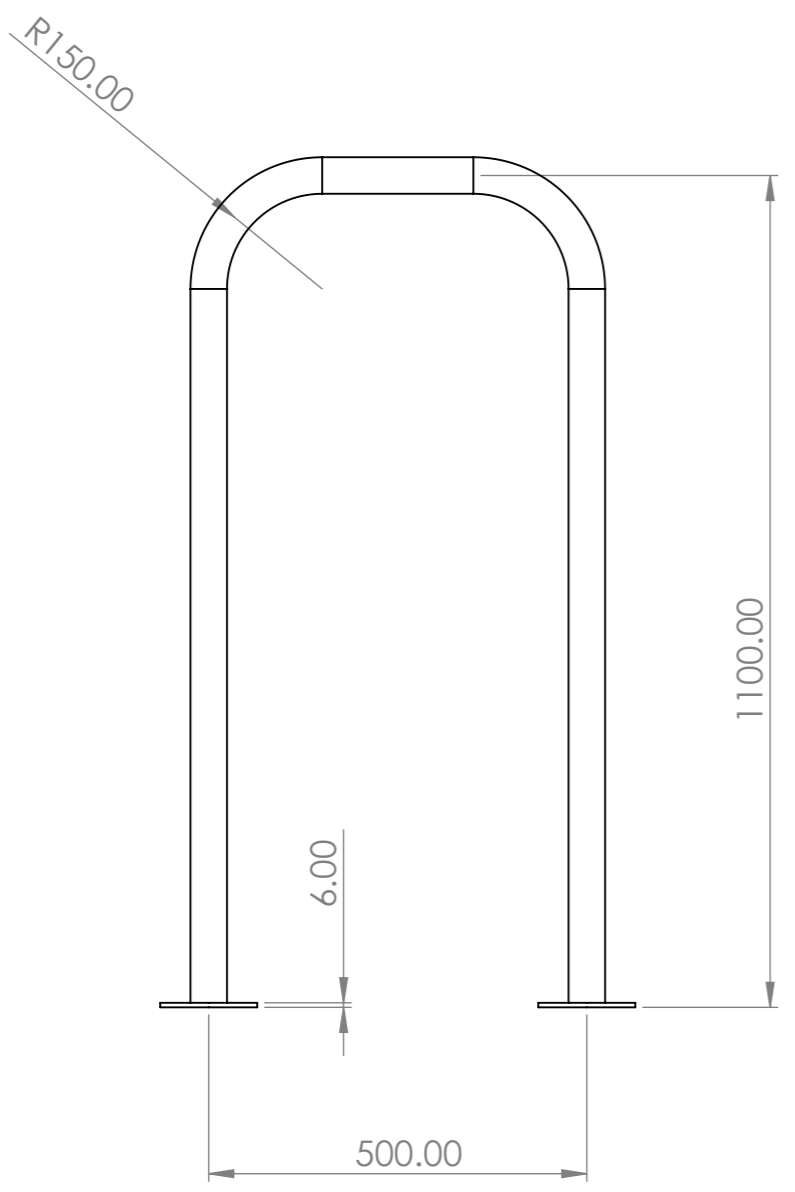
C


B

B

A

A



UNLESS OTHERWISE SPECIFIED: DIMENSIONS ARE IN MILLIMETERS				FINISH: Galv/ Powdercoated		DEBURR AND BREAK SHARP EDGES		DO NOT SCALE DRAWING		REVISION	
SURFACE FINISH: TOLERANCES: LINEAR: ANGULAR:											
DRAWN				NAME		SIGNATURE					
CHK'D										DWG NO. HB-BD-G-WCB-L500-H1100-D48.3	
APPV'D										A3	
MFG										SCALE:1:10	
Q.A								MATERIAL: Mild Steel		SHEET 1 OF 1	
								WEIGHT: 10179.93			

8 7 6 5 4 3 2 1