

8 7 6 5 4 3 2 1

F

F

E

E

D

D

C

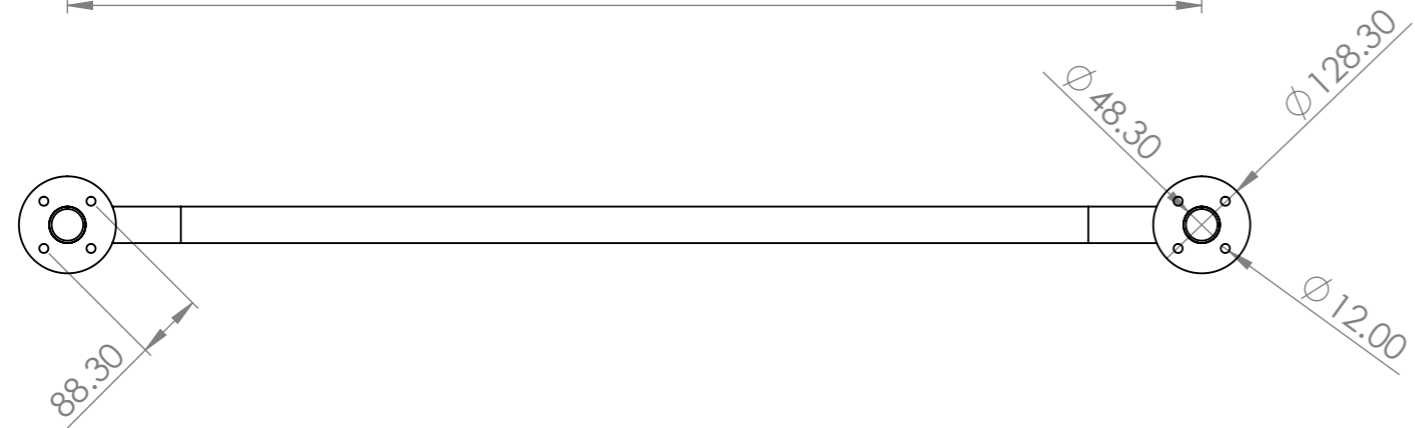
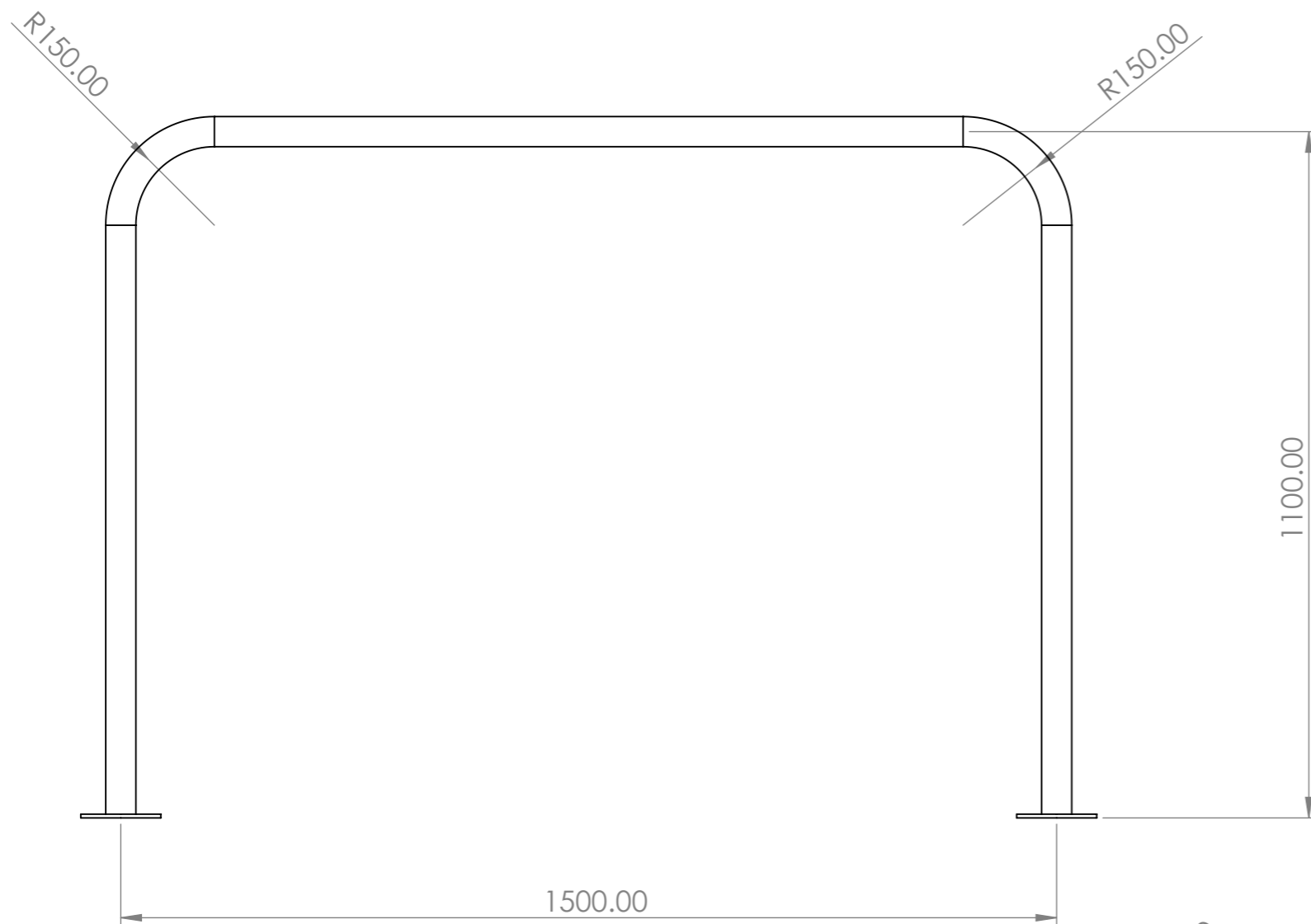
C

B

B

A

A



UNLESS OTHERWISE SPECIFIED: DIMENSIONS ARE IN MILLIMETERS SURFACE FINISH: TOLERANCES: LINEAR: ANGULAR:				FINISH: Galv/ powdercoated		DEBURR AND BREAK SHARP EDGES		DO NOT SCALE DRAWING		REVISION	
								TITLE: L1500 x H1100 x 48.3 Dia hopped barrier without cross bar			
DRAWN						MATERIAL: Mild Steel		DWG NO. HB-BD-G-WCB-L1500-H1100-D48.3		A3	
CHK'D						WEIGHT: 13748.14		SCALE: 1:10		SHEET 1 OF 1	
APPV'D											
MFG											
Q.A											

8 7 6 5 4 3 2 1