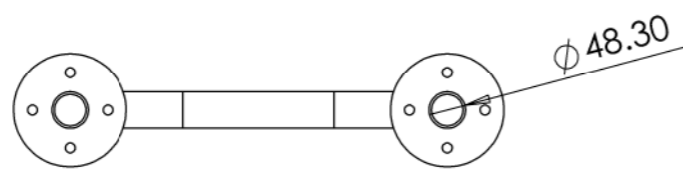
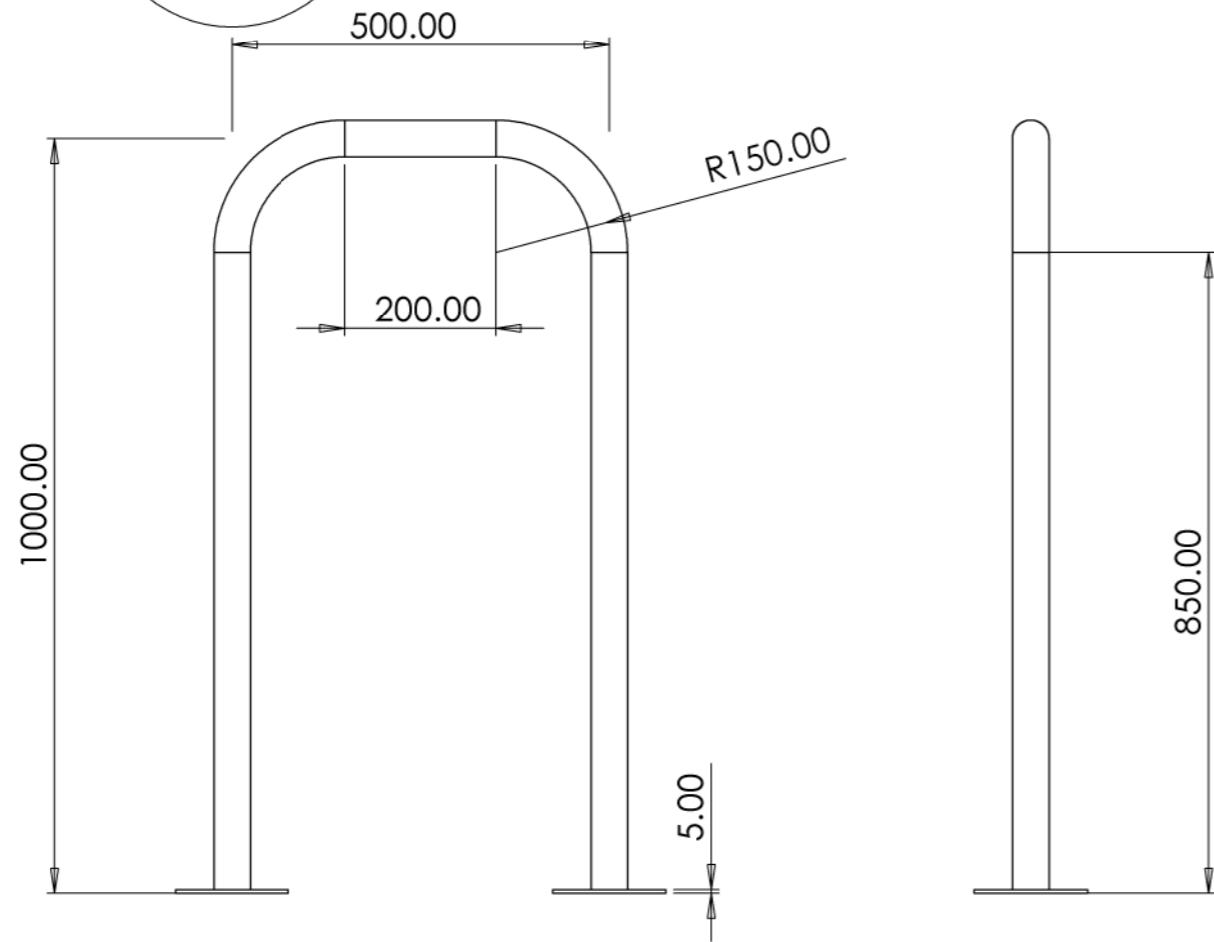
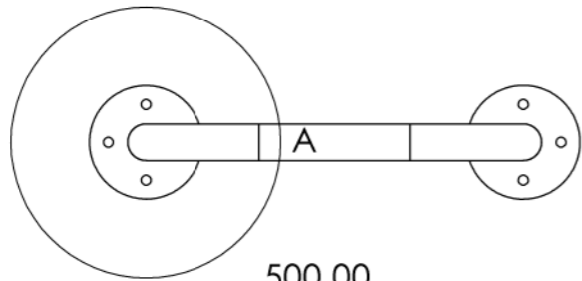


DETAIL A
SCALE 1 : 5



UNLESS OTHERWISE SPECIFIED: DIMENSIONS ARE IN MILLIMETERS SURFACE FINISH: TOLERANCES: LINEAR: ANGULAR:				FINISH: Galvanized		DEBURR AND BREAK SHARP EDGES		DO NOT SCALE DRAWING		REVISION 1	
DRAWN Lee Hickman				SIGNATURE		DATE 12/06/19		TITLE: Hooped Barrier/ Bolt Down			
CHK'D								DWG NO. HB-BD-G-L500-H1000-D48.3			
APPVD								A3			
MFG								SCALE:1:10			
Q.A						MATERIAL: Mild Steel		SHEET 1 OF 1			
						Weight 9.93 KG					