

8 7 6 5 4 3 2 1

F

F

E

E

D

D

C

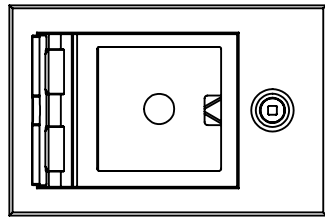
C

B

B

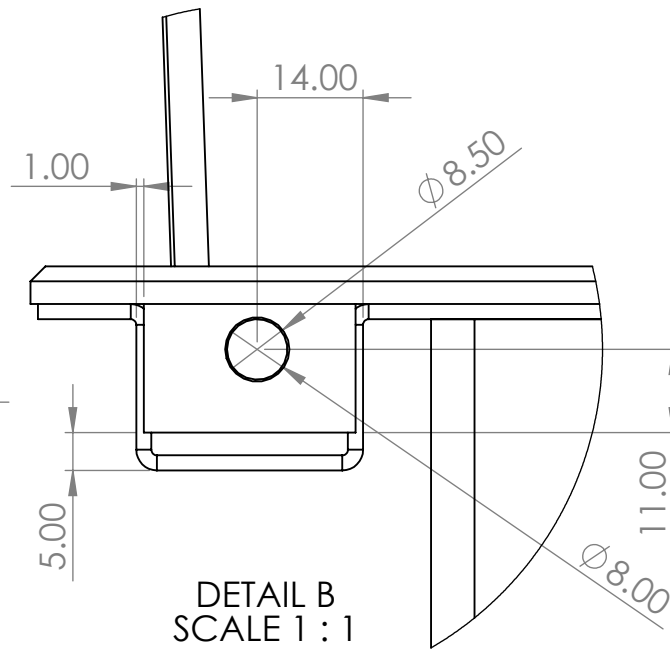
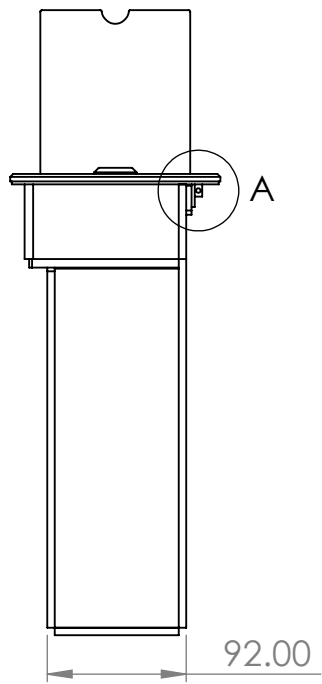
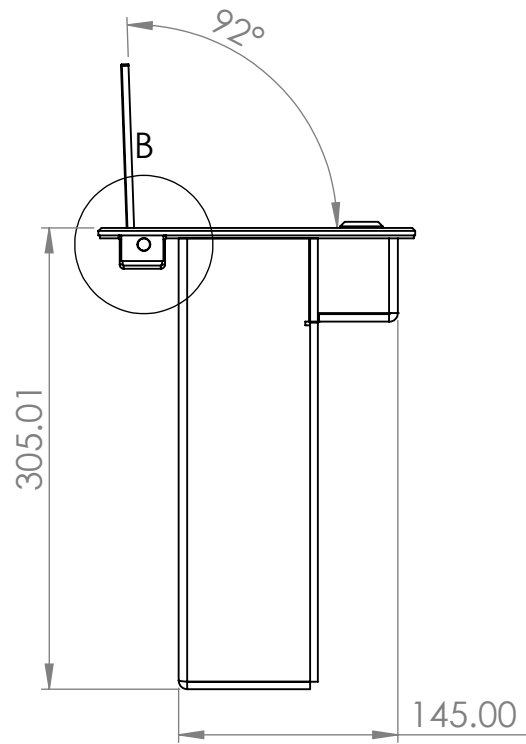
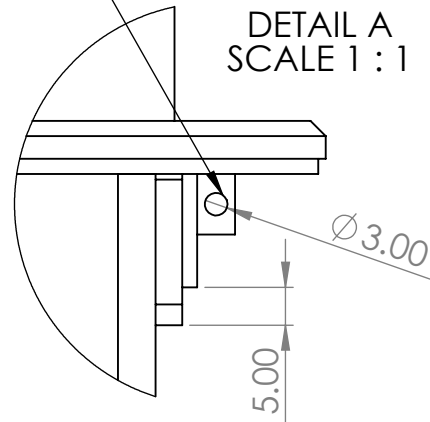
A

A

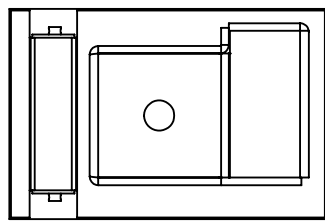
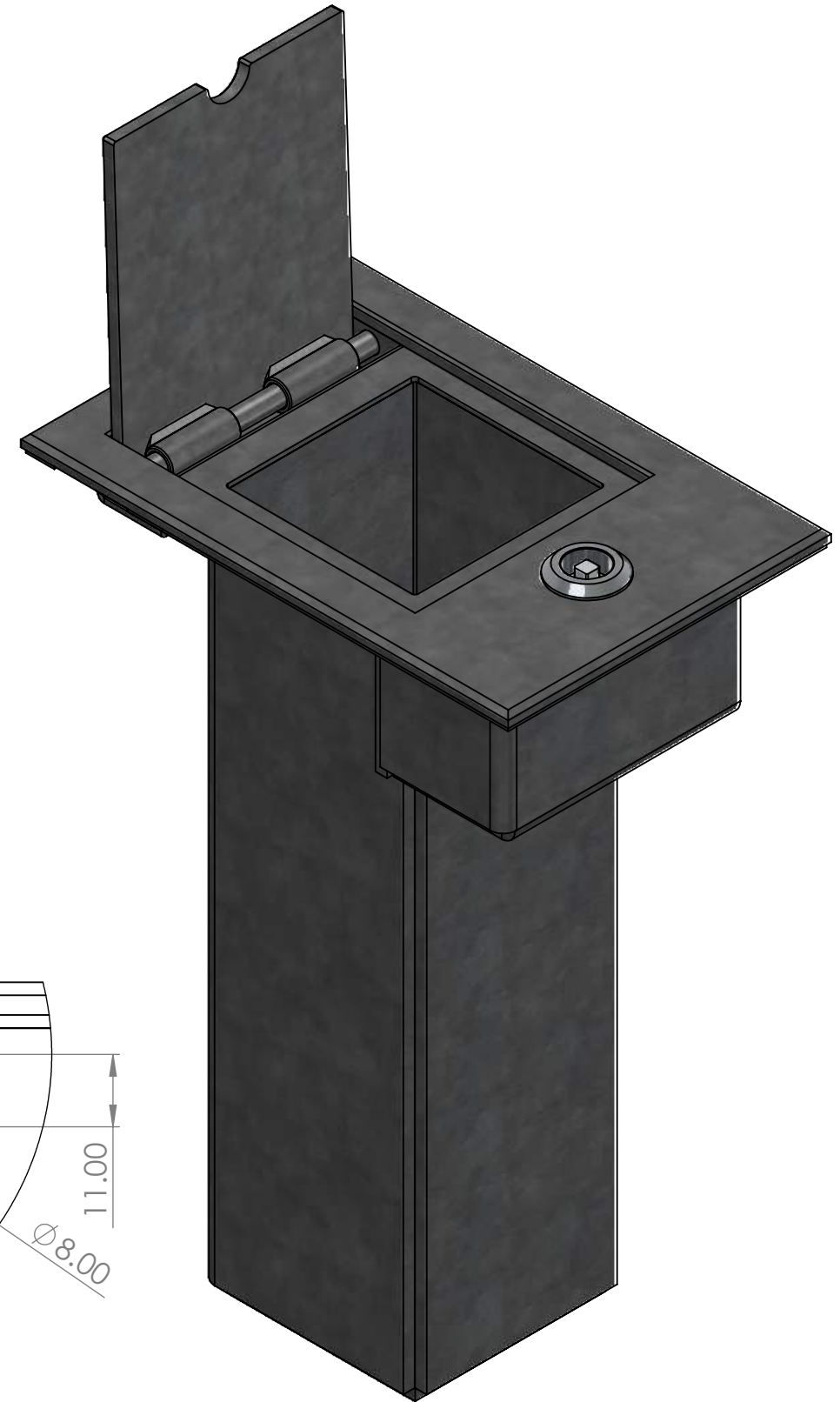


2no 3mm holes for stainless steel split pin

DETAIL A
SCALE 1:1

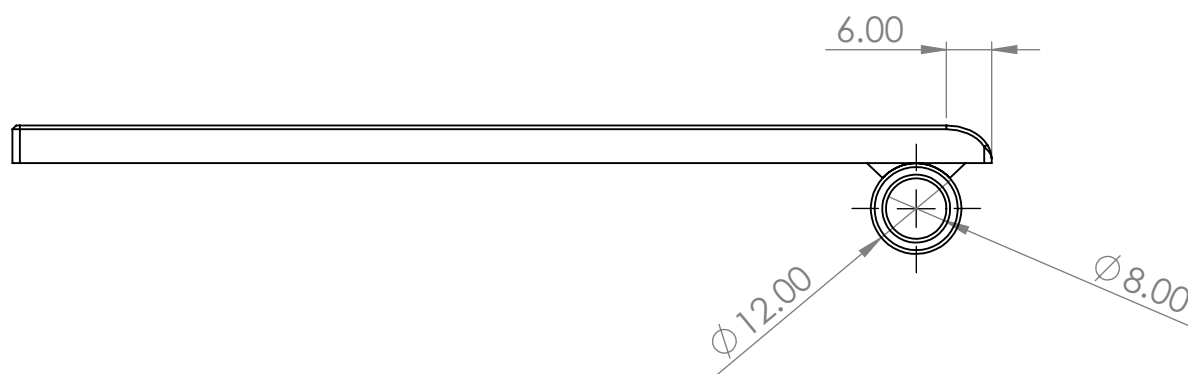
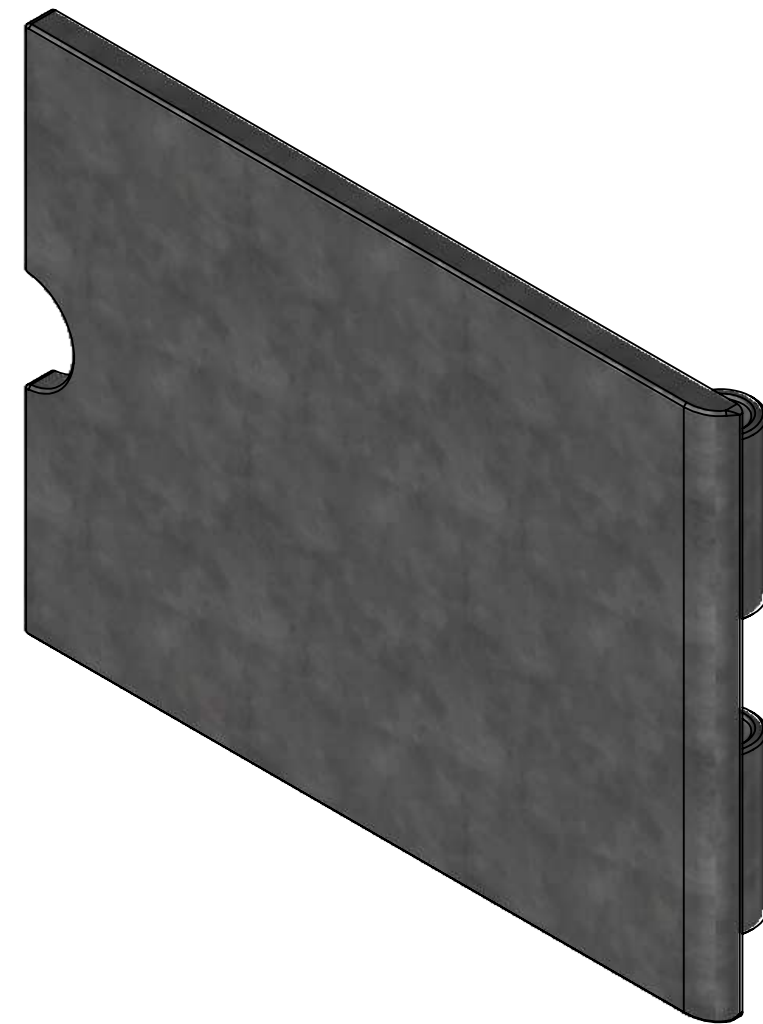
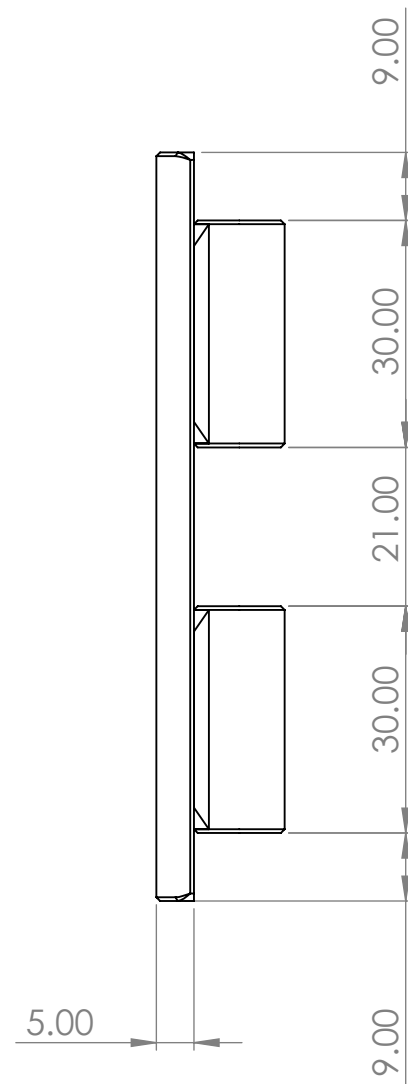
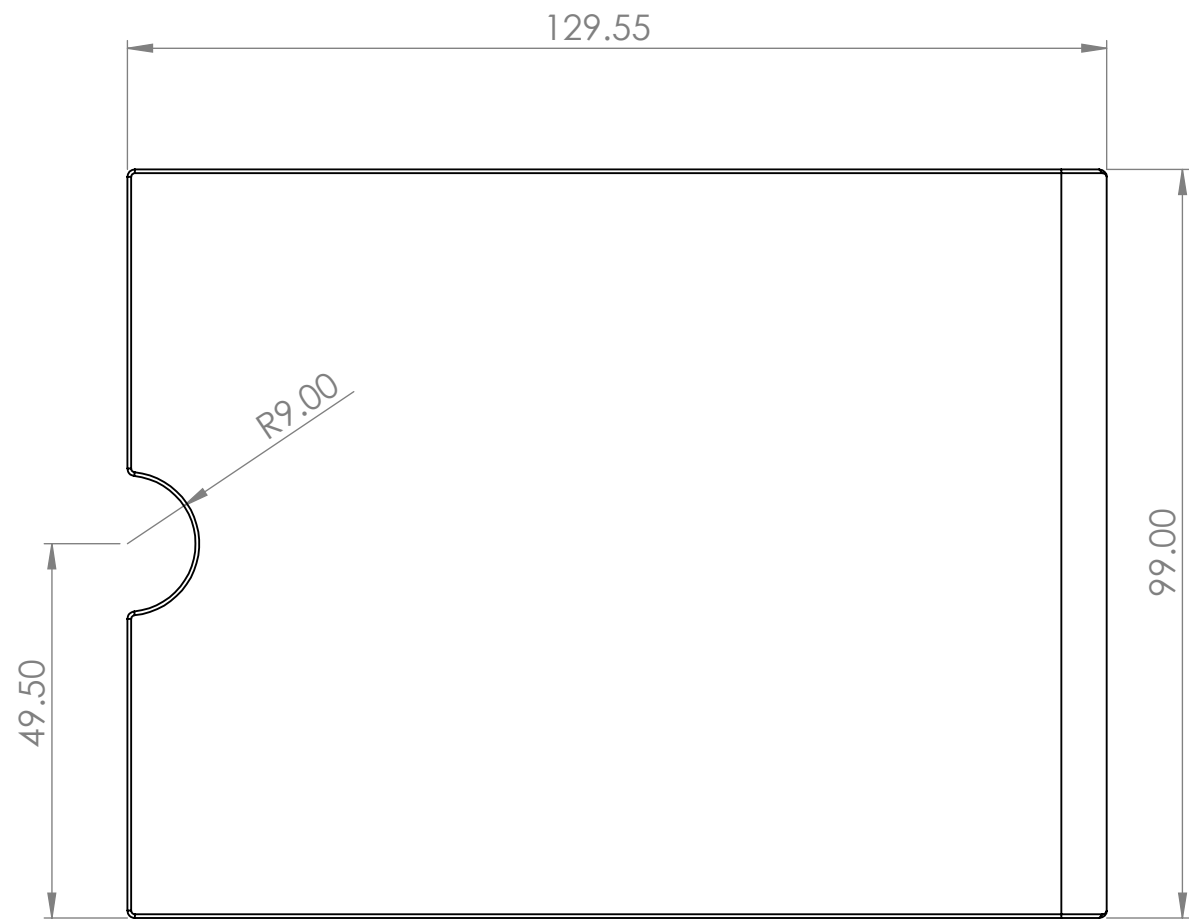


DETAIL B
SCALE 1:1



UNLESS OTHERWISE SPECIFIED: DIMENSIONS ARE IN MILLIMETERS SURFACE FINISH: TOLERANCES: LINEAR: ANGULAR:			FINISH: Galvanized		DEBURR AND BREAK SHARP EDGES		DO NOT SCALE DRAWING		REVISION		
DRAWN			NAME		SIGNATURE		DATE		TITLE: 80 x 80 Galv Socket		
CHK'D									DWG NO. Galv 80 x 80 Socket Asy		
APPV'D									A3		
MFG									SCALE:1:5		
Q.A							MATERIAL: Mild Steel		SHEET 1 OF 6		
							WEIGHT: 6155.64				

8 7 6 5 4 3 2 1



UNLESS OTHERWISE SPECIFIED: DIMENSIONS ARE IN MILLIMETERS SURFACE FINISH: TOLERANCES: LINEAR: ANGULAR:			FINISH: Galvanized		DEBURR AND BREAK SHARP EDGES		DO NOT SCALE DRAWING		REVISION			
							TITLE: 80 x 80 Galv Flip Lid					
							DWG NO. Galv 80 x 80 Socket Asy				A3	
							MATERIAL: Material <not specified>		SCALE: 1:1		SHEET 2 OF 6	
							WEIGHT: 6155.64					
DRAWN		NAME		SIGNATURE		DATE						
CHK'D												
APPV'D												
MFG												
Q.A												

8 7 6 5 4 3 2 1

F

F

E

E

D

D

C

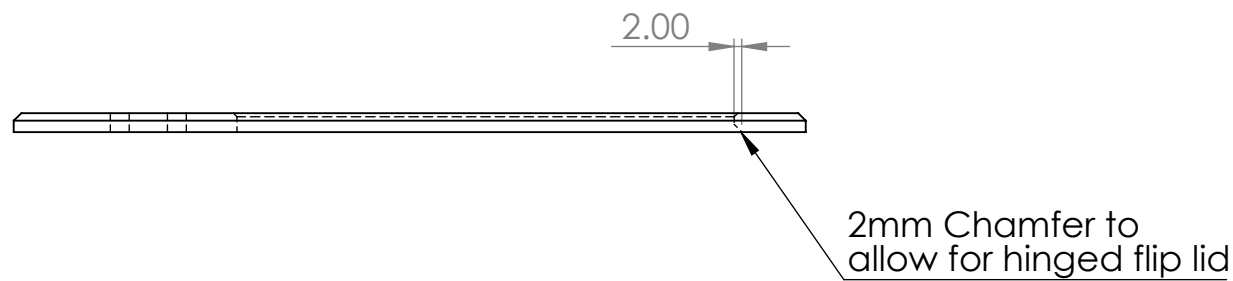
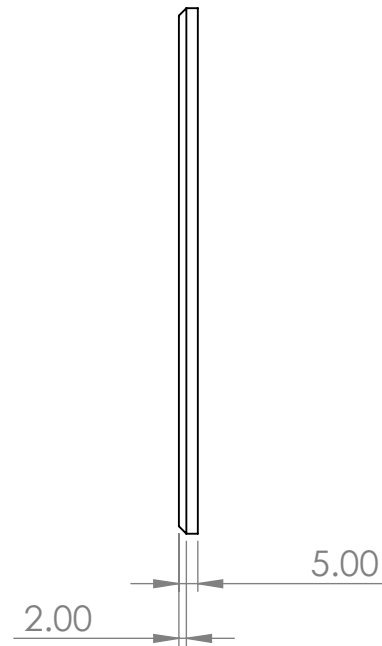
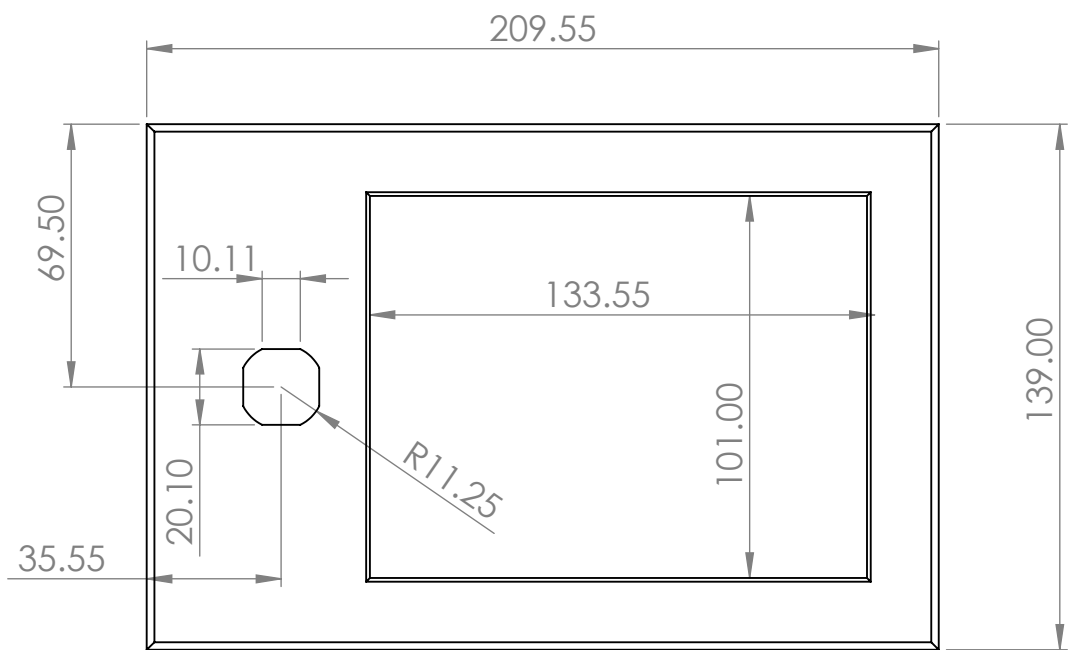
C

B

B

A

A



UNLESS OTHERWISE SPECIFIED: DIMENSIONS ARE IN MILLIMETERS SURFACE FINISH: TOLERANCES: LINEAR: ANGULAR:			FINISH: Galvanized		DEBURR AND BREAK SHARP EDGES		DO NOT SCALE DRAWING		REVISION		
DRAWN							TITLE: 80 x 80 Galv Ground Plate				
CHK'D							DWG NO. Galv 80 x 80 Socket Asy				
APPV'D							A3				
MFG							MATERIAL: Mild Steel				
Q.A							WEIGHT: 6155.64				
							SCALE: 1:1				
							SHEET 3 OF 6				

8 7 6 5 4 3 2 1

8 7 6 5 4 3 2 1

F

F

E

E

D

D

C

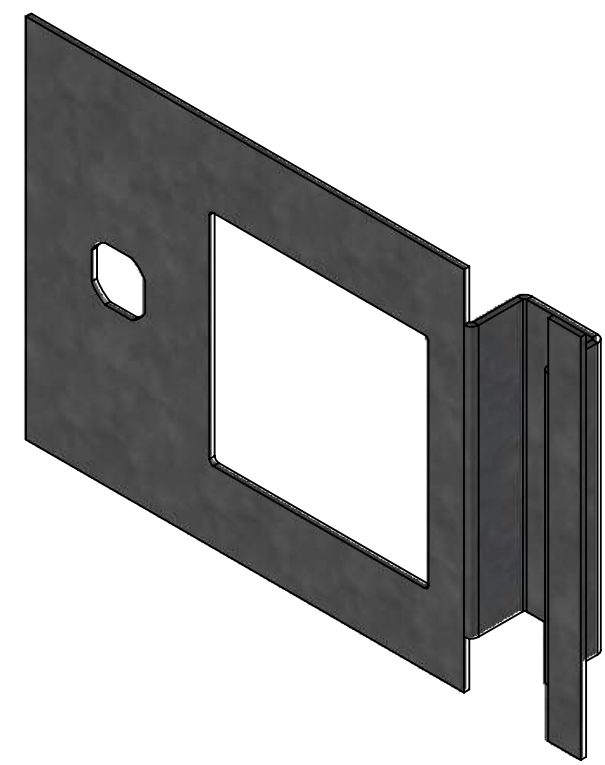
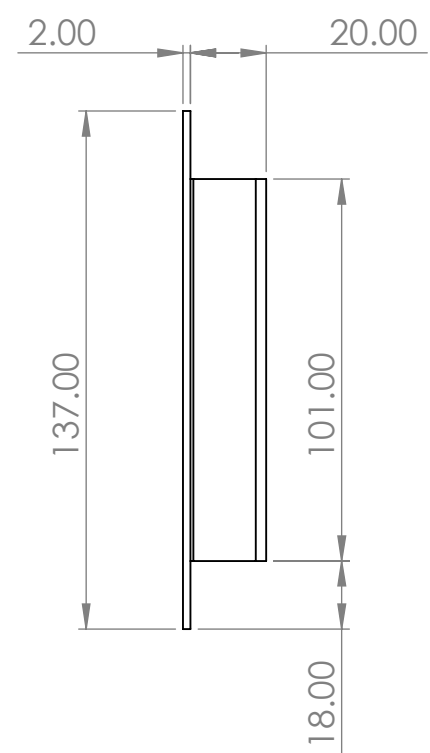
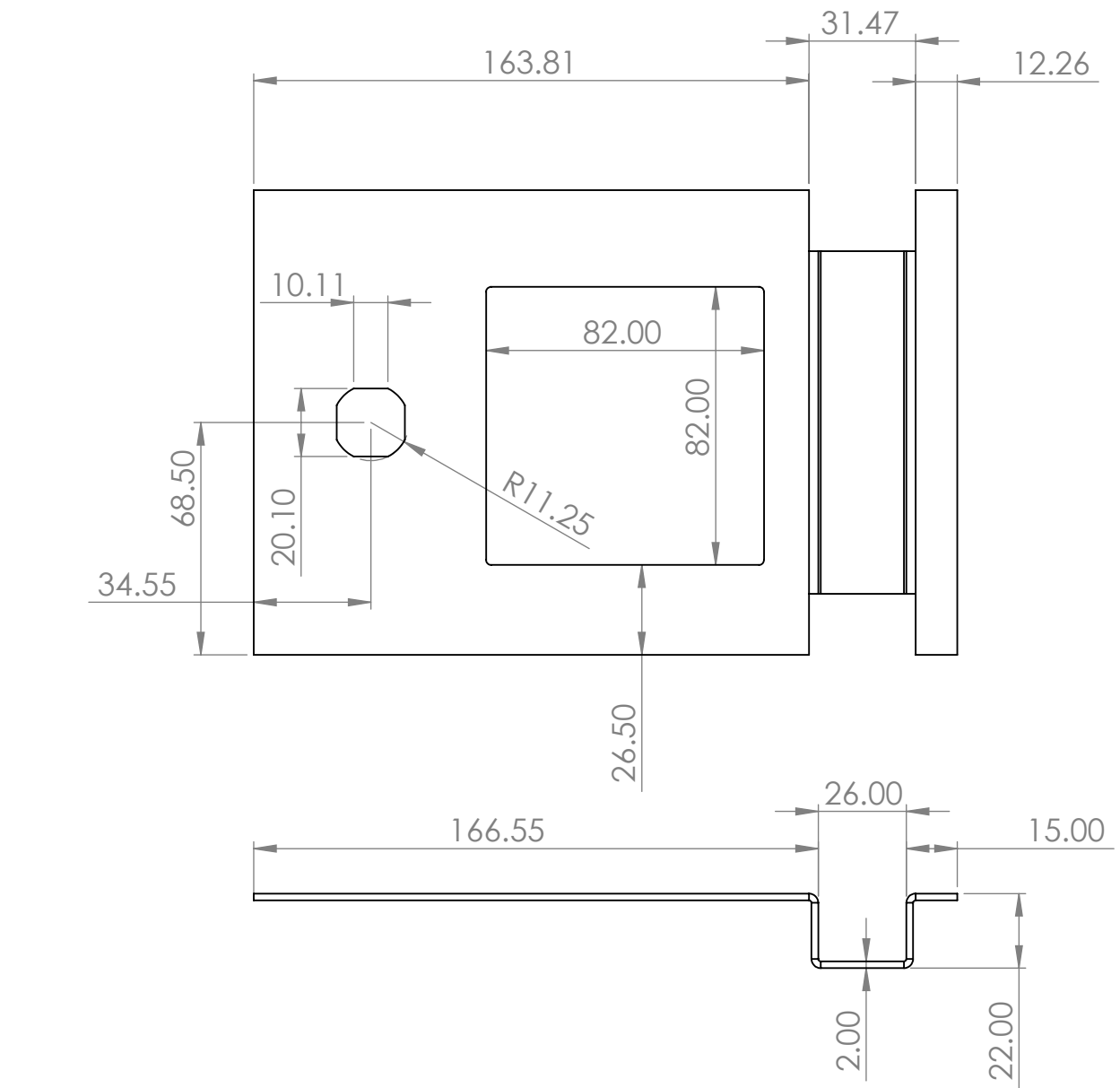
C

B

B

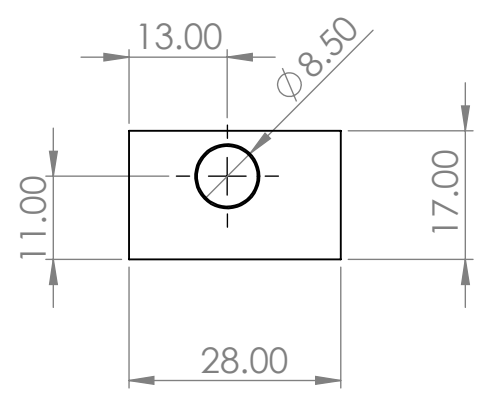
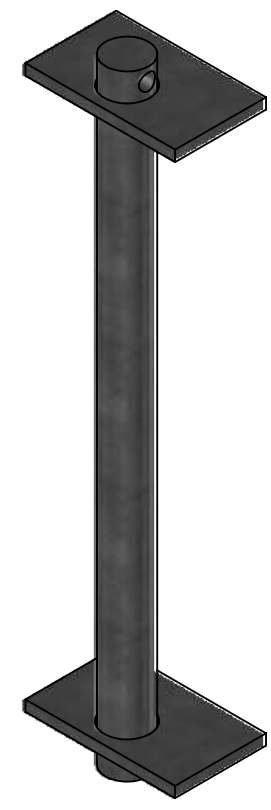
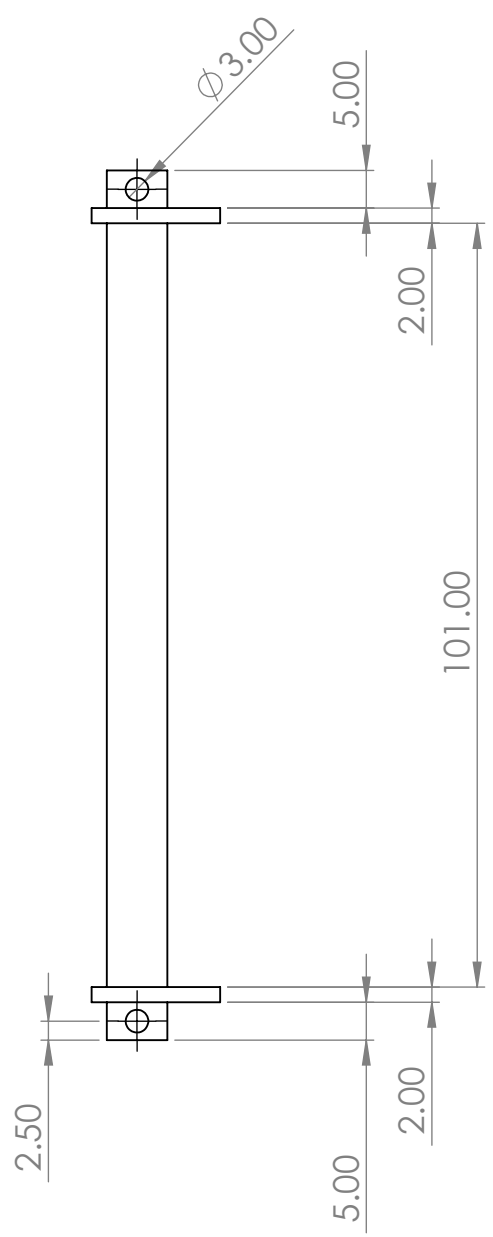
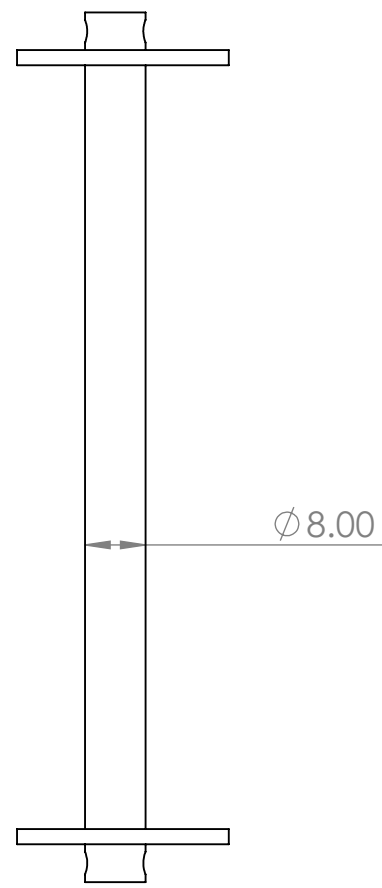
A

A

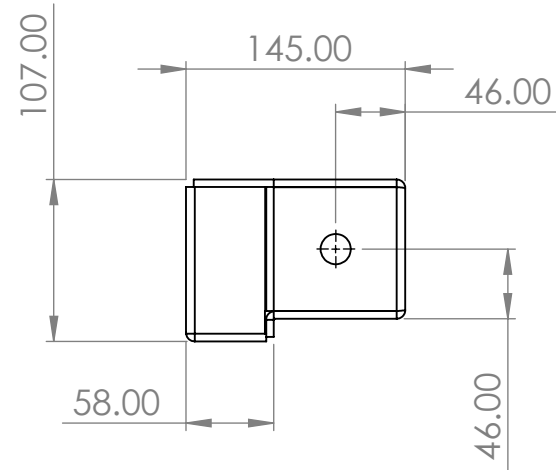
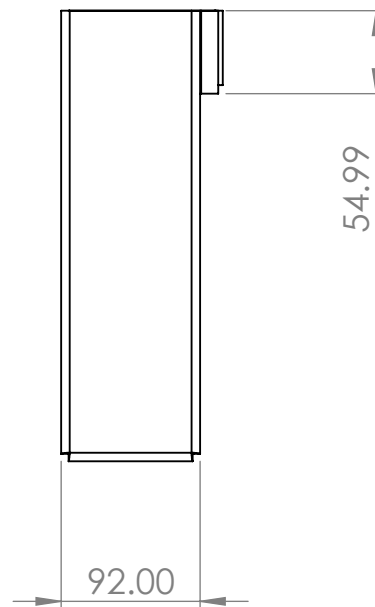
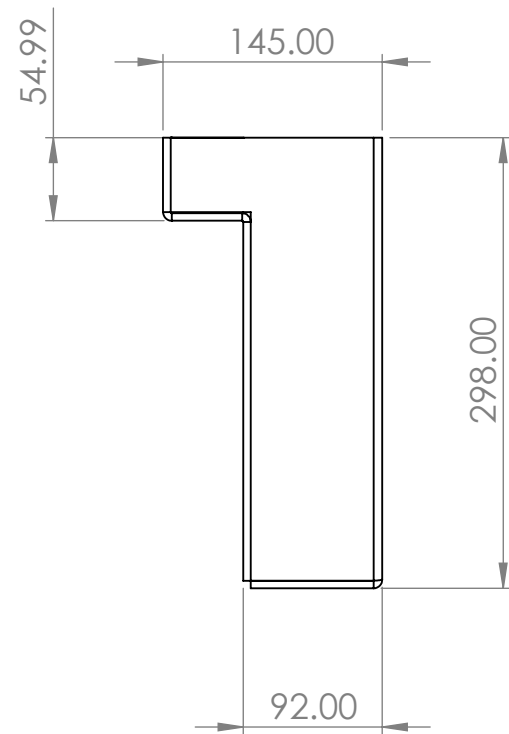
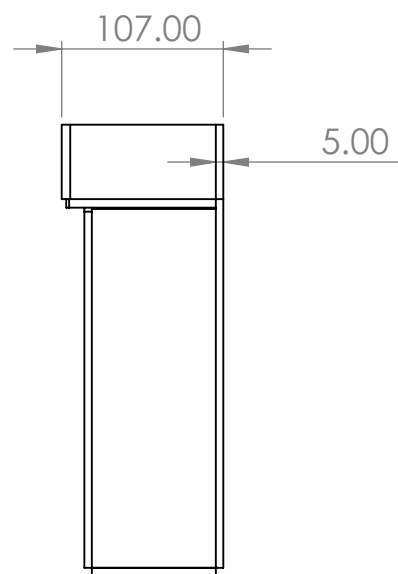
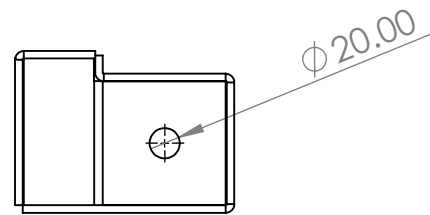


UNLESS OTHERWISE SPECIFIED: DIMENSIONS ARE IN MILLIMETERS SURFACE FINISH: TOLERANCES: LINEAR: ANGULAR:				FINISH: Galvanized		DEBURR AND BREAK SHARP EDGES		DO NOT SCALE DRAWING		REVISION	
								TITLE: 80 x 80 Galv Guide Plate			
DRAWN				NAME		SIGNATURE		DATE		DWG NO. Galv 80 x 80 Socket Asy	
CHK'D										A3	
APPV'D											
MFG											
Q.A								MATERIAL: Mild Steel			
								WEIGHT: 6155.64		SCALE: 1:2	
										SHEET 4 OF 6	

8 7 6 5 4 3 2 1



UNLESS OTHERWISE SPECIFIED: DIMENSIONS ARE IN MILLIMETERS SURFACE FINISH: TOLERANCES: LINEAR: ANGULAR:			FINISH: Galvanized		DEBURR AND BREAK SHARP EDGES		DO NOT SCALE DRAWING		REVISION		
							TITLE: 80 x 80 Galvanized Hinge				
DRAWN			NAME		SIGNATURE		DATE		DWG NO. Galv 80 x 80 Socket Asy		
CHK'D									A3		
APPV'D									SCALE: 1:1		
MFG									SHEET 5 OF 6		
Q.A							MATERIAL: Mild Steel				
							WEIGHT: 6155.64				



UNLESS OTHERWISE SPECIFIED: DIMENSIONS ARE IN MILLIMETERS SURFACE FINISH: TOLERANCES: LINEAR: ANGULAR:				FINISH: Galvanized		DEBURR AND BREAK SHARP EDGES		DO NOT SCALE DRAWING		REVISION	
DRAWN								METAL PRODUCTS DIRECT TITLE: 80 x 80 Galv Socket DWG NO. Galv 80 x 80 Socket Asy SCALE: 1:5			
CHK'D											
APPV'D											
MFG											
Q.A											
MATERIAL: Mild Steel								SHEET 6 OF 6			
WEIGHT: 6155.64								A3			