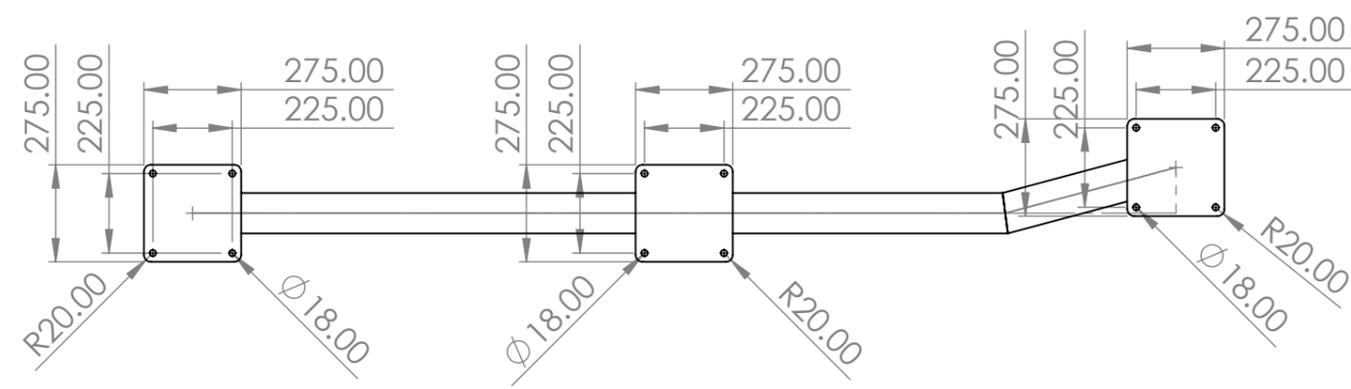
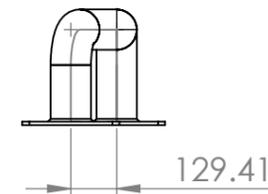
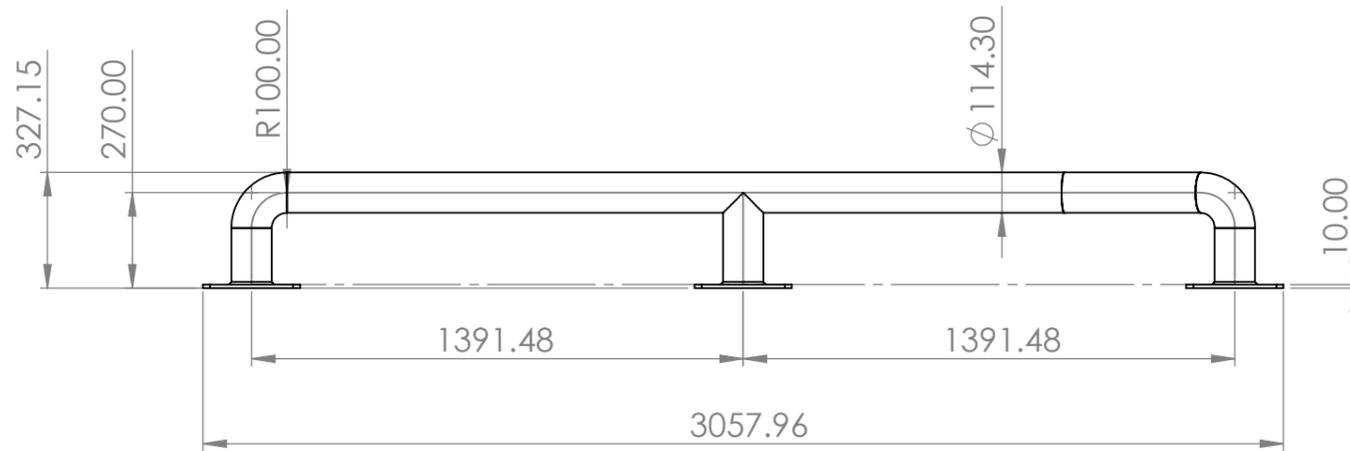
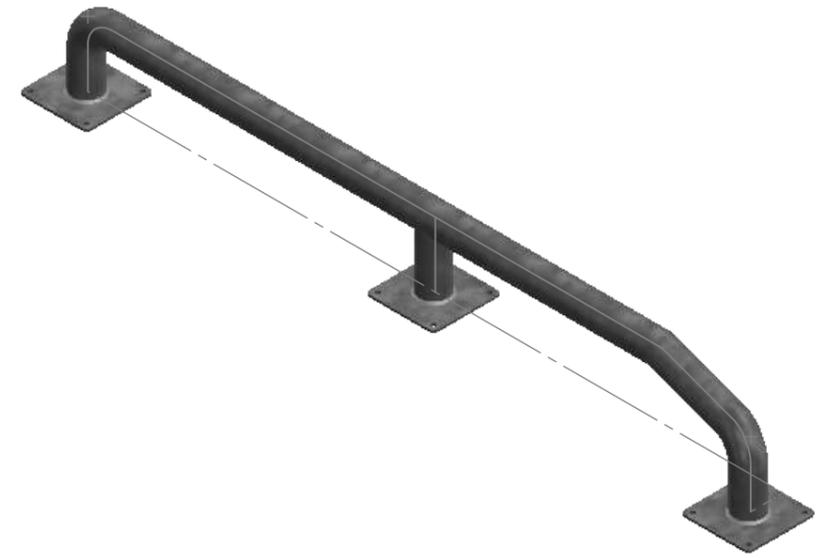
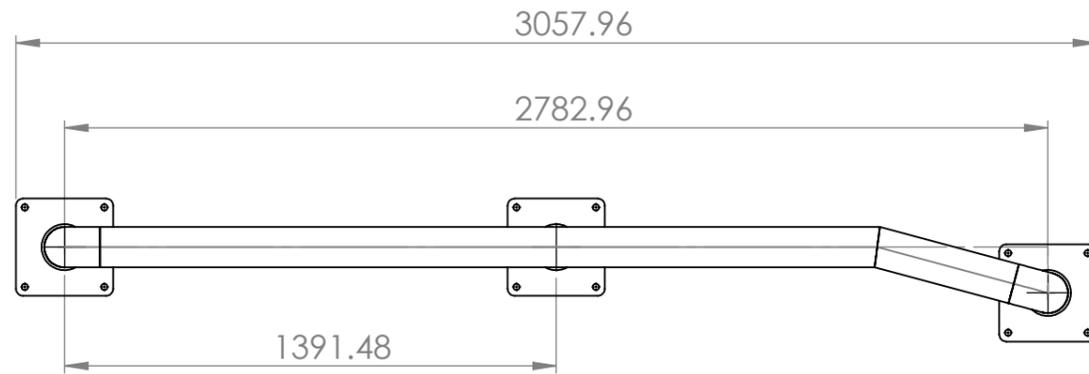


8 7 6 5 4 3 2 1

F
E
D
C
B
A

F
E
D
C
B
A



UNLESS OTHERWISE SPECIFIED: DIMENSIONS ARE IN MILLIMETERS SURFACE FINISH: TOLERANCES: LINEAR: ANGULAR:		FINISH: Galvanized		DEBURR AND BREAK SHARP EDGES		DO NOT SCALE DRAWING		REVISION	
DRAWN		NAME		SIGNATURE		DATE		TITLE: Cranked Wheel Guide Left Hand Galvanized	
CHK'D								DWG NO. CWG-G-RH-LH-PC-L3000-H327-D114.3	
APPV'D								A3	
MFG								SCALE:1:20	
Q.A						MATERIAL: Galvanized Steel		SHEET 1 OF 1	
						WEIGHT: 64.9 KG			

8 7 6 5 4 3 2 1