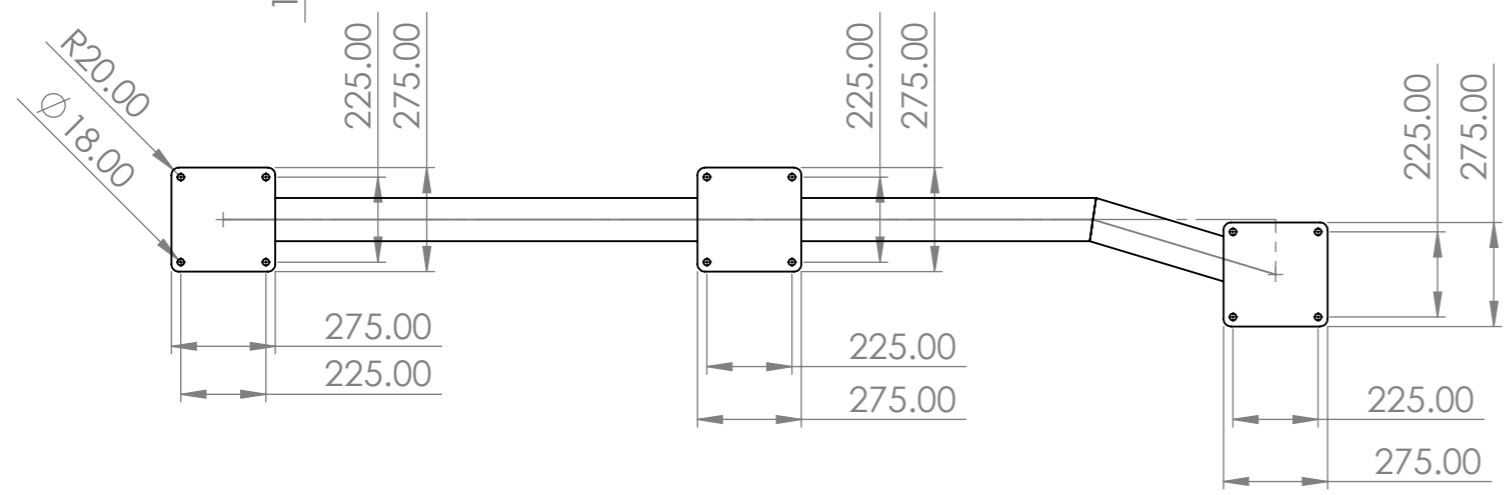
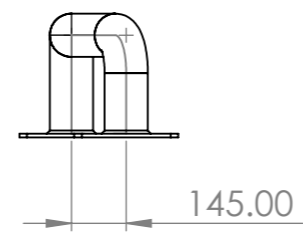
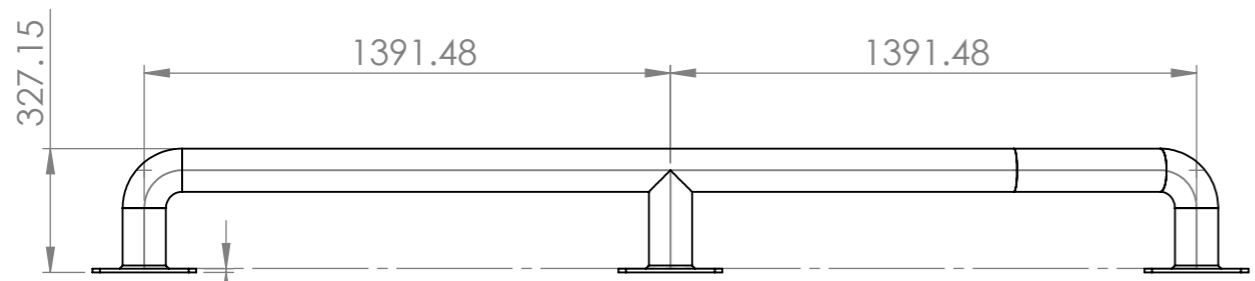
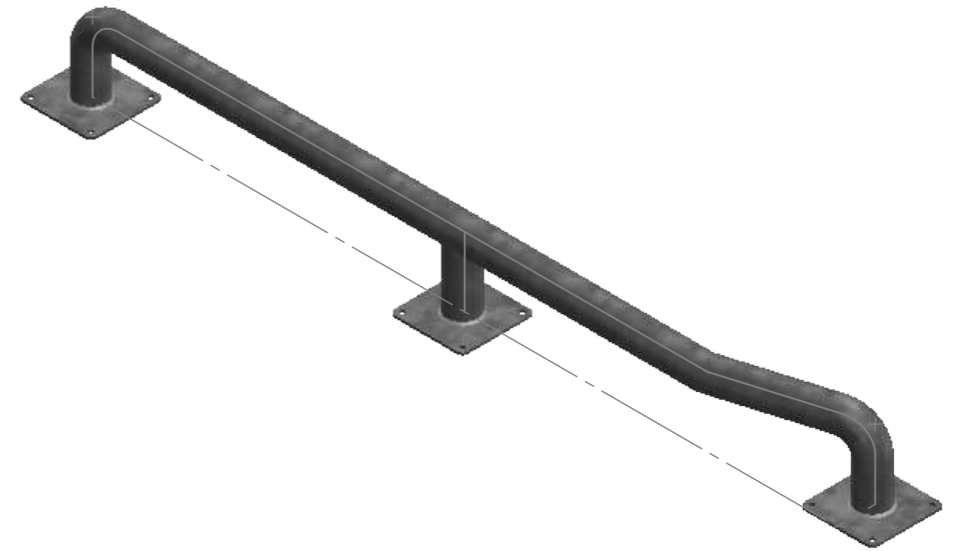
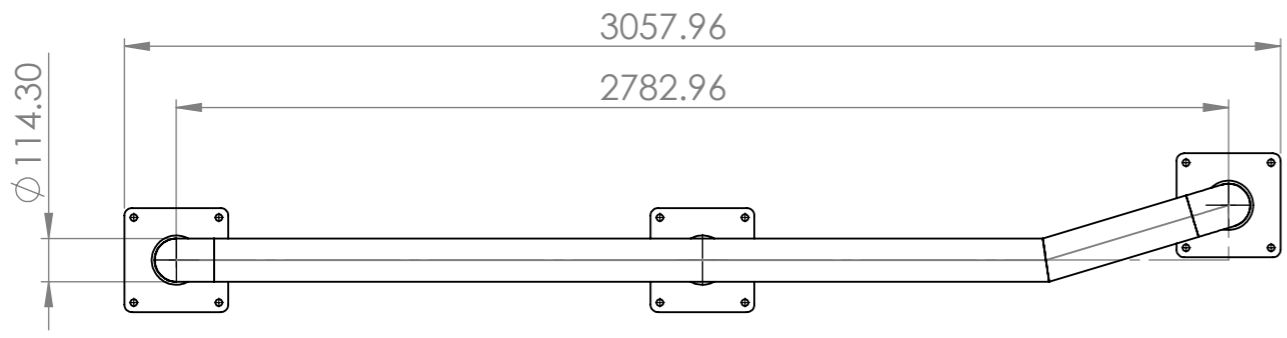



8 7 6 5 4 3 2 1

F
E
D
C
B
A

F
E
D
C
B
A



UNLESS OTHERWISE SPECIFIED: DIMENSIONS ARE IN MILLIMETERS SURFACE FINISH: TOLERANCES: LINEAR: ANGULAR:			FINISH: Galvanized		DEBURR AND BREAK SHARP EDGES		DO NOT SCALE DRAWING		REVISION			
												
							TITLE: Cranked Wheel Guide Right Hand Galvanized					
							DWG NO. CWG-G-RH-LH-PC-L3000-H327-D114.3				A3	
							WEIGHT: 64.9 KG				SCALE: 1:20	
							SHEET 1 OF 1					
DRAWN		NAME		SIGNATURE		DATE						
CHK'D												
APPV'D												
MFG												
Q.A												

8 7 6 5 4 3 2 1