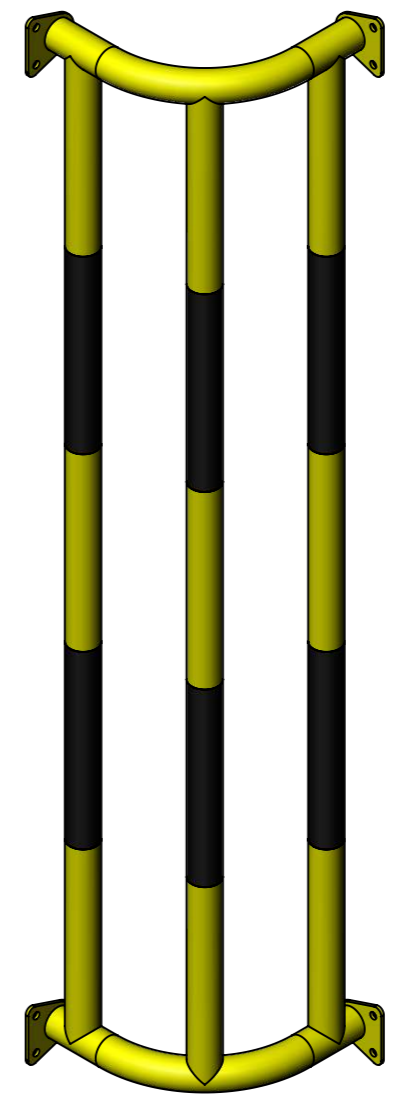
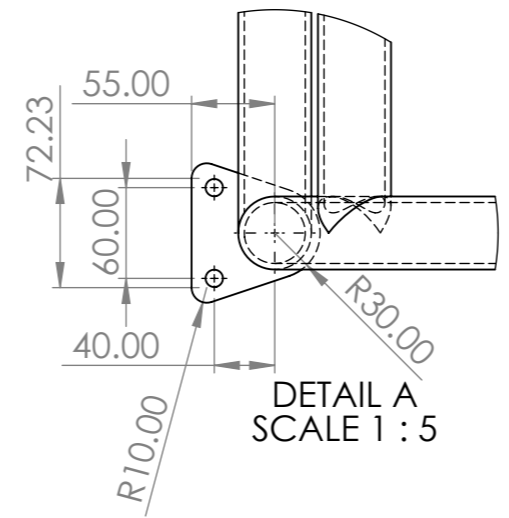
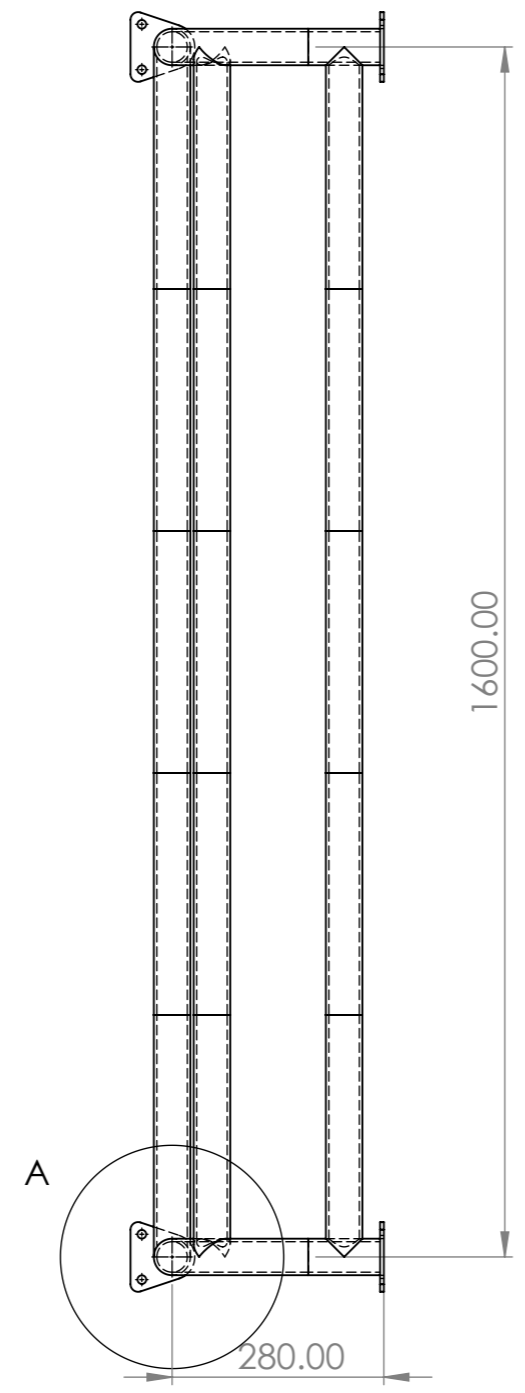
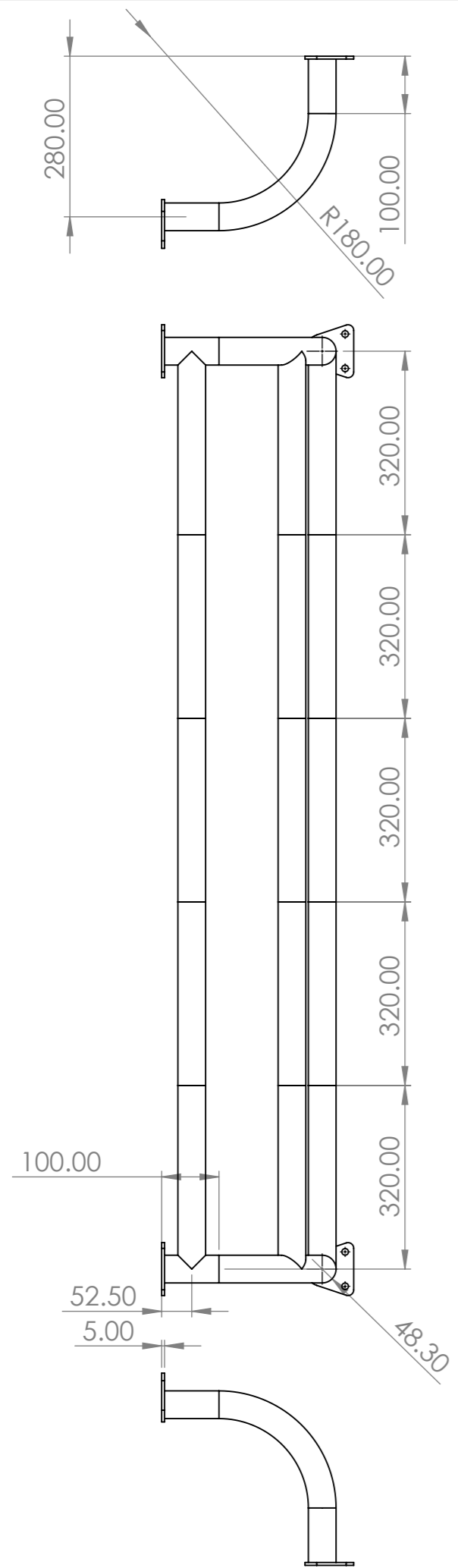



REV	REVISION NOTES	REVISION BY	REVISION DATE
1			
2			
3			
4			



 METAL PRODUCTS DIRECT	UNLESS OTHERWISE SPECIFIED: DIMENSIONS ARE IN MILLIMETERS TOLERANCES: X: 2.5 X.XX: 0.13 X.X: 0.25 X.XXX: 0.013		CUSTOMER:	
	MATERIAL: Plain Carbon Steel		DESCRIPTION: Corner vertical pipe protector 1600mm high 250mm wide	
17 Bridge Street Pendlebury Manchester M27 4DU	FINISH: WEIGHT: Kg 25.5	BY:	DATE:	DWG NO: CVPP-WF-H1600-W250-L250
DEBUR AND BREAK SHARP EDGES DO NOT SCALE DRAWING IF IN DOUBT ASK!	DRAWN: CHECKED: APPROVED:			REV:
		SHEET SCALE: 1:20	SHEET SIZE: A3	SHEET NUMBER: 1 OF 1