

8 7 6 5 4 3 2 1

F

F

E

E

D

D

C

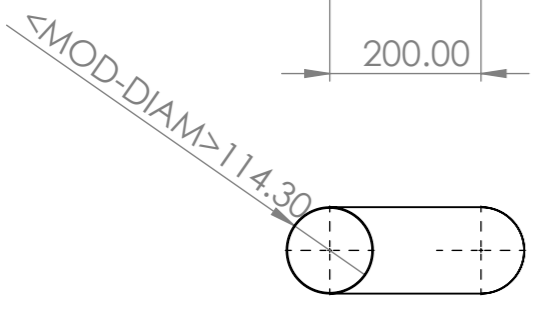
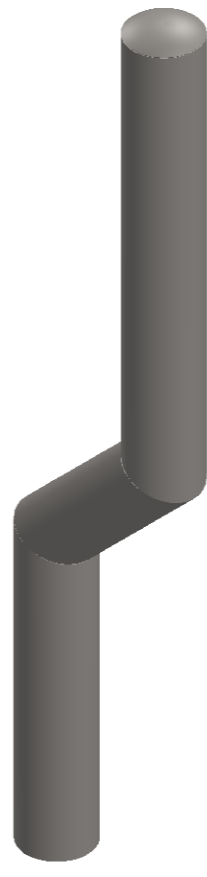
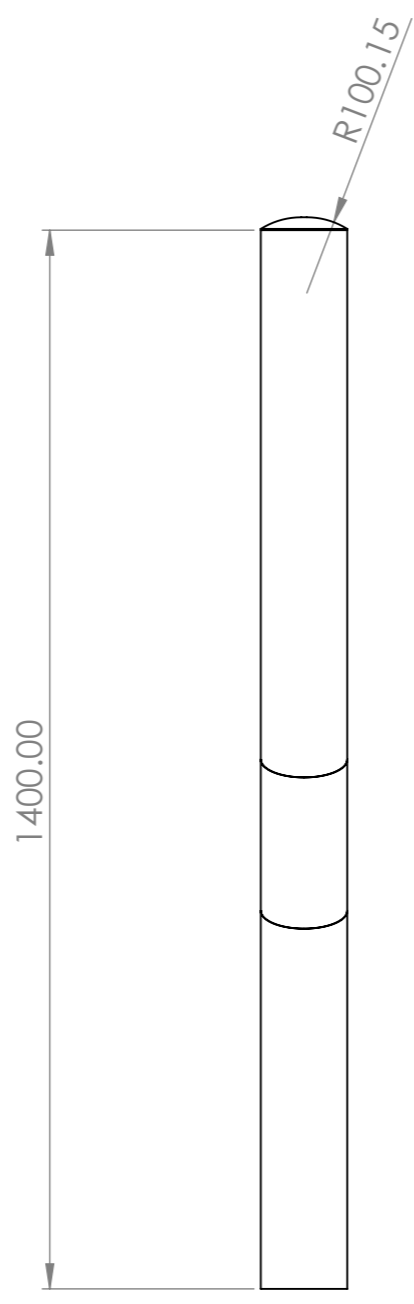
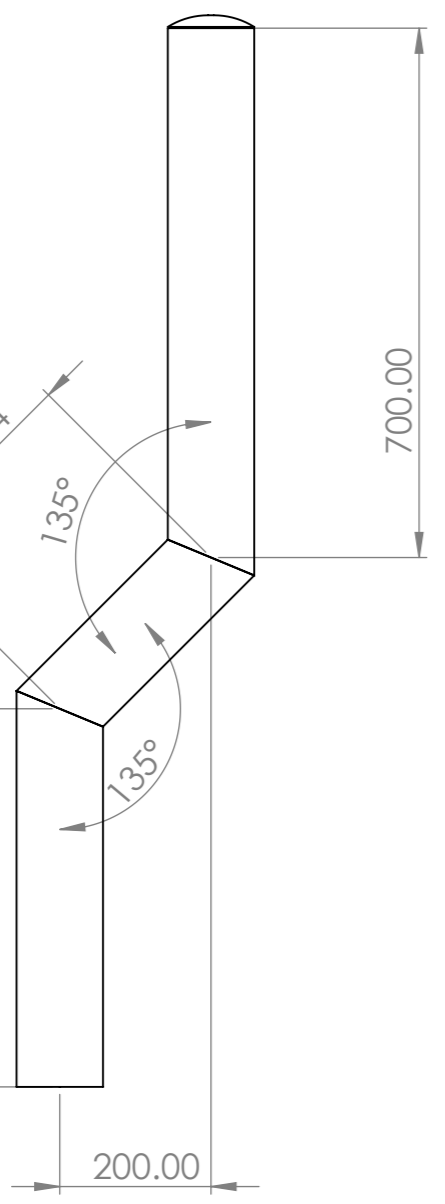
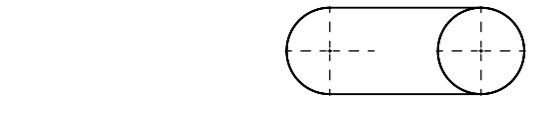
C


B

B

A

A



UNLESS OTHERWISE SPECIFIED: DIMENSIONS ARE IN MILLIMETERS SURFACE FINISH: TOLERANCES: LINEAR: ANGULAR:				FINISH:  Brushed Steel		DEBURR AND BREAK SHARP EDGES		DO NOT SCALE DRAWING		REVISION			
													
								TITLE: Cranked Semi Domed Stainless Steel Bollard					
								DWG NO. CB-SD-SS-H1400-D114.3		A3			
								MATERIAL: AISI 304		SCALE:1:10		SHEET 1 OF 1	
								WEIGHT: 4395.62					
DRAWN		NAME		SIGNATURE		DATE							
CHK'D													
APPV'D													
MFG													
Q.A													

8 7 6 5 4 3 2 1