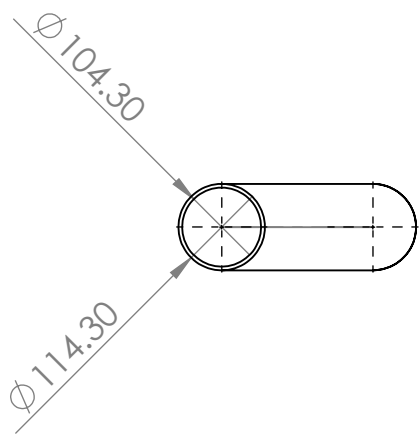
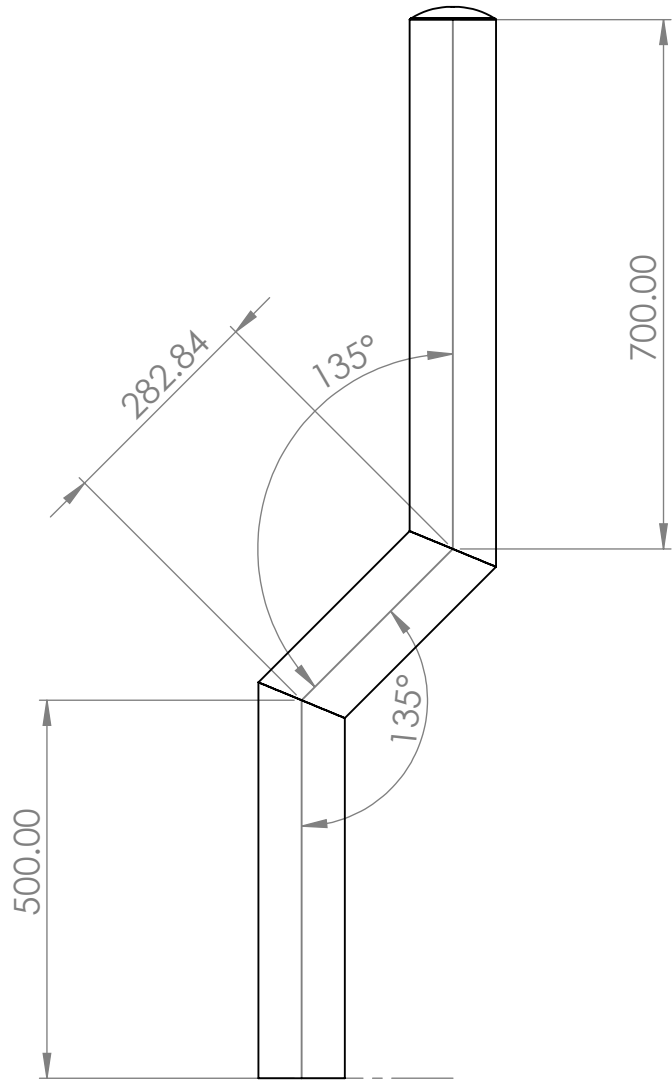
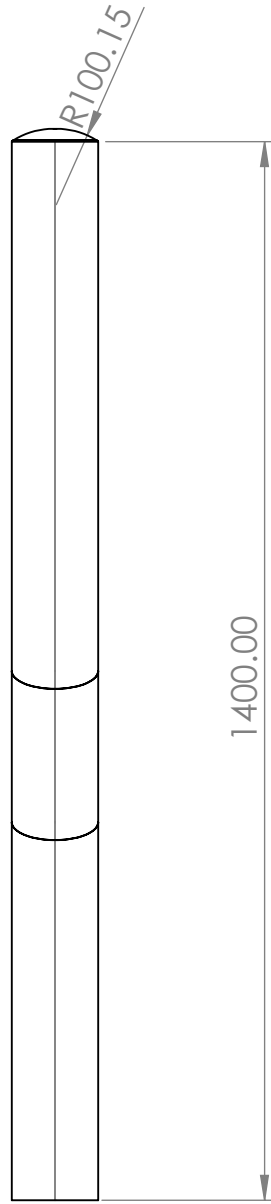
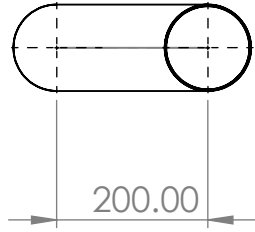


8 7 6 5 4 3 2 1



UNLESS OTHERWISE SPECIFIED: DIMENSIONS ARE IN MILLIMETERS SURFACE FINISH: TOLERANCES: LINEAR: ANGULAR:			FINISH: Galvanized		DEBURR AND BREAK SHARP EDGES		DO NOT SCALE DRAWING		REVISION		
							TITLE: Cranked Semi Domed Galvanized Bollard				
DRAWN			NAME		SIGNATURE		DATE		DWG NO. CB-SD-G-H1400-D114.3		A3
CHK'D									SCALE:1:10		SHEET 1 OF 1
APPV'D									MATERIAL: Galvanized Steel		
MFG									WEIGHT: 20202.37		
Q.A											

8 7 6 5 4 3 2 1

F

F

E

E

D

D

C

C

B

B

A

A