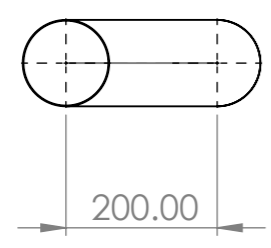
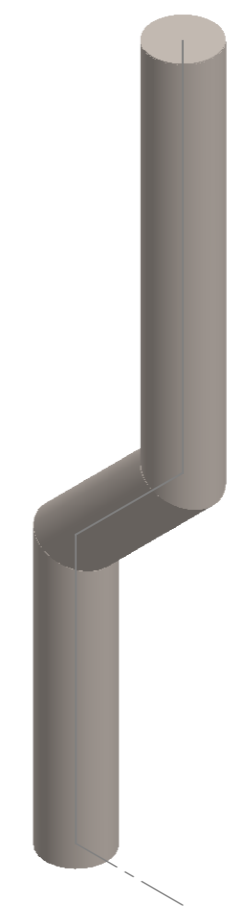
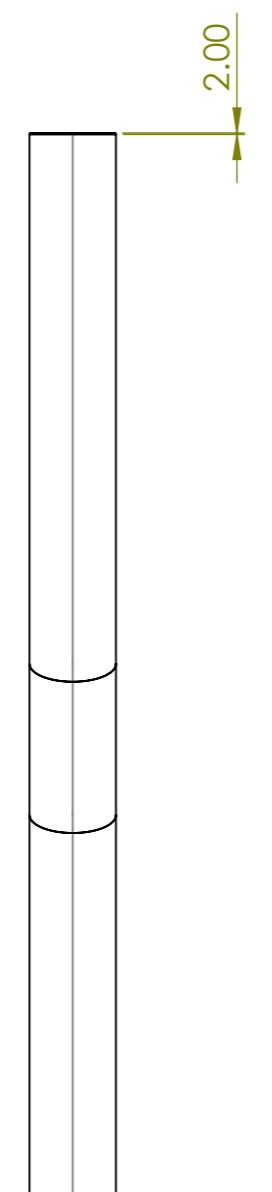
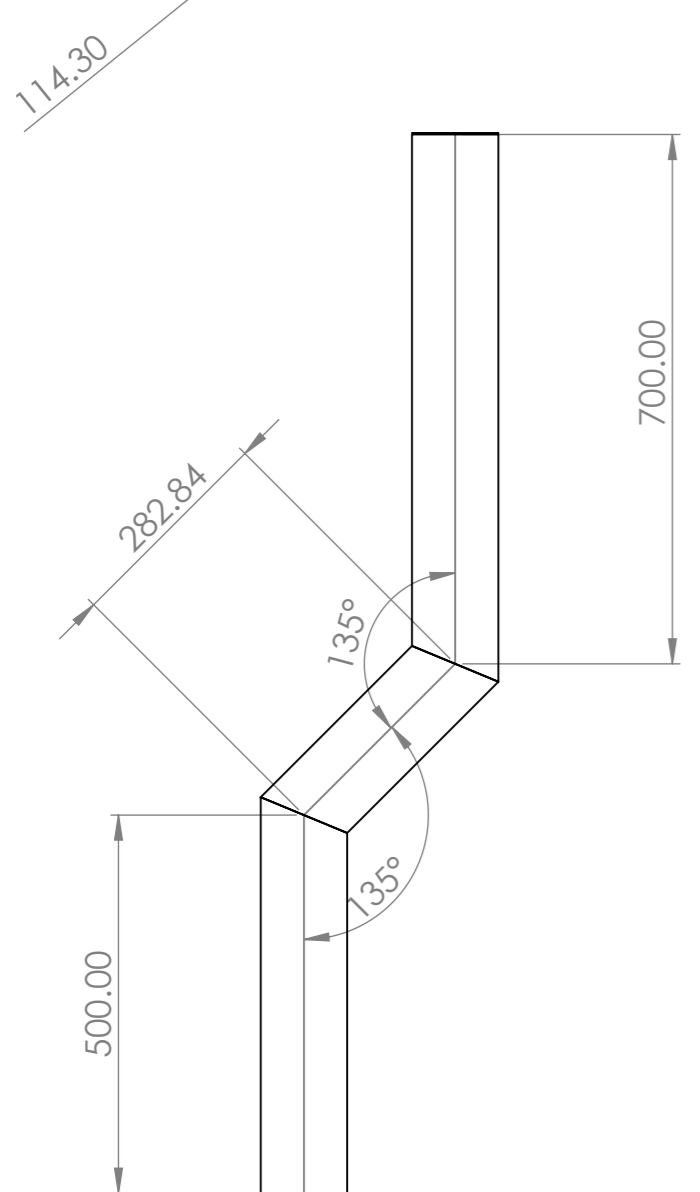
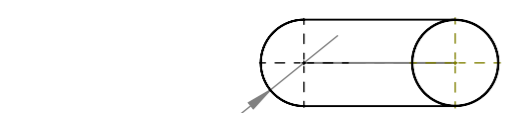



8 7 6 5 4 3 2 1

F  
E  
D  
C  
B  
A

F  
E  
D  
C  
B  
A



UNLESS OTHERWISE SPECIFIED: DIMENSIONS ARE IN MILLIMETERS SURFACE FINISH: TOLERANCES: LINEAR: ANGULAR:				FINISH:  Brushed Steel		DEBURR AND BREAK SHARP EDGES		DO NOT SCALE DRAWING		REVISION	
											
								TITLE: <b>Cranked Flat Top Stainless Steel                  Bollard</b>			
								DWG NO. <b>CB-RF-SS-H1400-D114.3</b>		A3	
								SCALE: 1:10		SHEET 1 OF 1	
DRAWN				NAME		SIGNATURE		DATE			
CHK'D											
APPV'D											
MFG											
Q.A								MATERIAL: ANSI 304L			
								WEIGHT: 4383.67			

8 7 6 5 4 3 2 1

A