

8 7 6 5 4 3 2 1

F

F

E

E

D

D

C

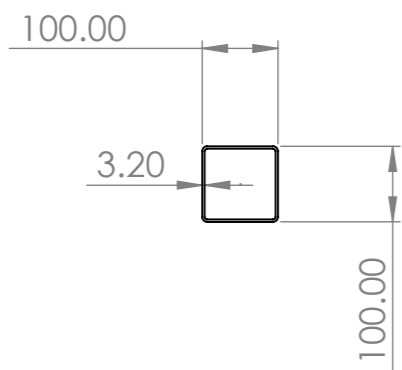
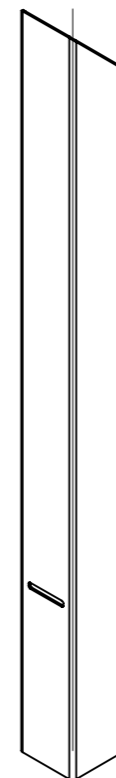
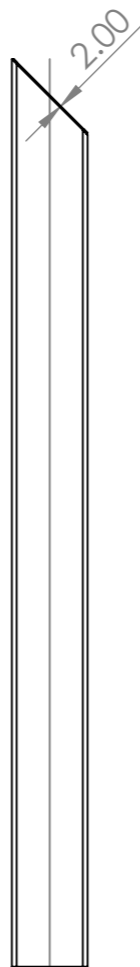
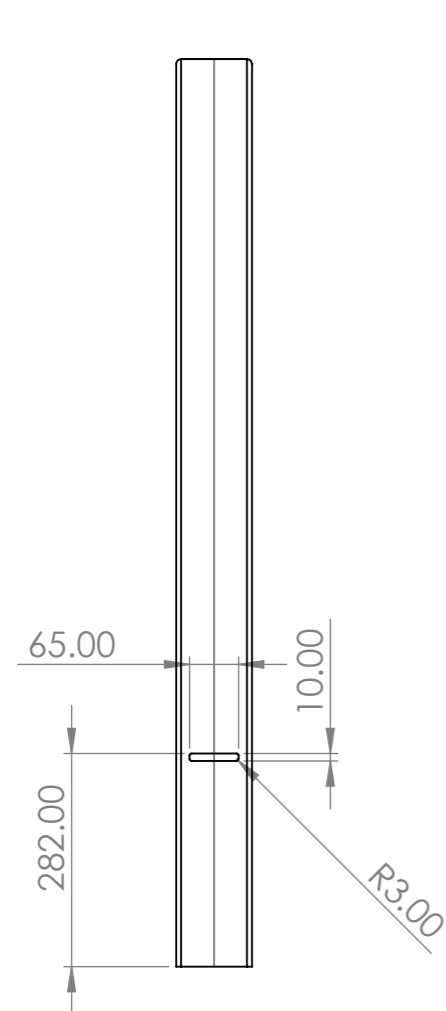
C

B

B

A

A



UNLESS OTHERWISE SPECIFIED: DIMENSIONS ARE IN MILLIMETERS SURFACE FINISH: TOLERANCES: LINEAR: ANGULAR:			FINISH: Galvanized		DEBURR AND BREAK SHARP EDGES		DO NOT SCALE DRAWING		REVISION		
							TITLE: 100 x 100 Galv Mitred Bollard				
DRAWN			NAME		SIGNATURE		DATE		DWG NO. B-SM-G-HL-FL-H1200-100x100		
CHK'D									A3		
APPV'D									SCALE:1:10		
MFG									SHEET 1 OF 1		
Q.A							MATERIAL: Galvanized Steel				
							WEIGHT: 11169.03				

8 7 6 5 4 3 2 1