

8 7 6 5 4 3 2 1

F

F

E

E

D

D

C

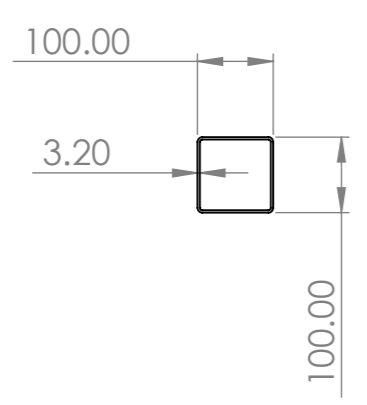
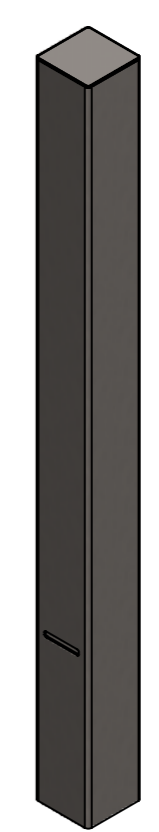
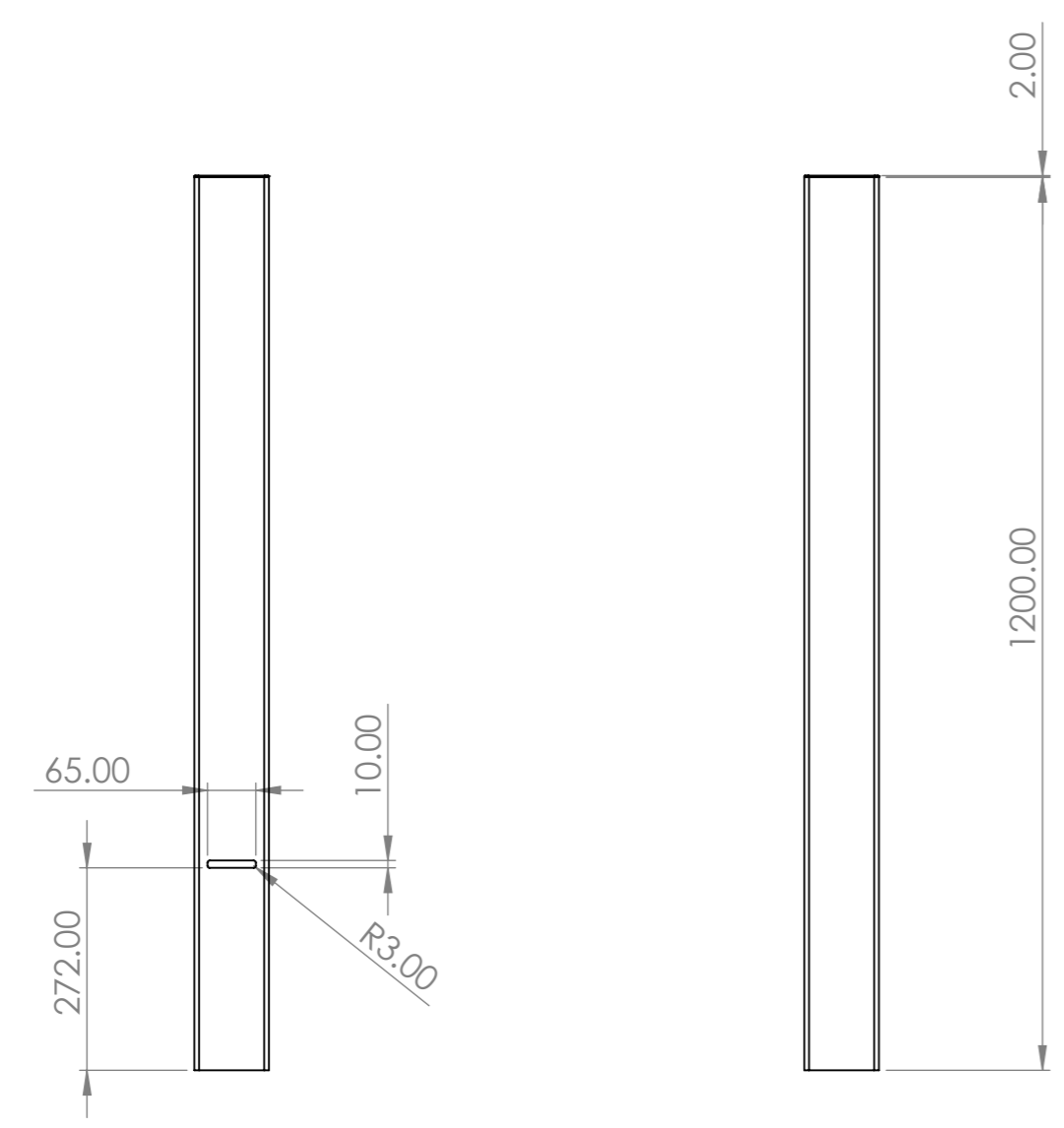
C


B

B

A

A



UNLESS OTHERWISE SPECIFIED: DIMENSIONS ARE IN MILLIMETERS				FINISH: Brushed Steel		DEBURR AND BREAK SHARP EDGES		DO NOT SCALE DRAWING		REVISION	
SURFACE FINISH:											
TOLERANCES:											
LINEAR:								<b>TITLE:</b> <b>100 x 100 Stainless          Steel Bollard</b>			
ANGULAR:											
DRAWN		NAME		SIGNATURE		DATE		DWG NO.		A3	
CHK'D								B-SF-SS-HL-FL-H1200-100x100			
APPV'D								SCALE:1:10		SHEET 1 OF 1	
MFG								WEIGHT: 11784.10			
Q.A								MATERIAL:			
								AISI 304			