

8 7 6 5 4 3 2 1

F

F

E

E

D

D

C

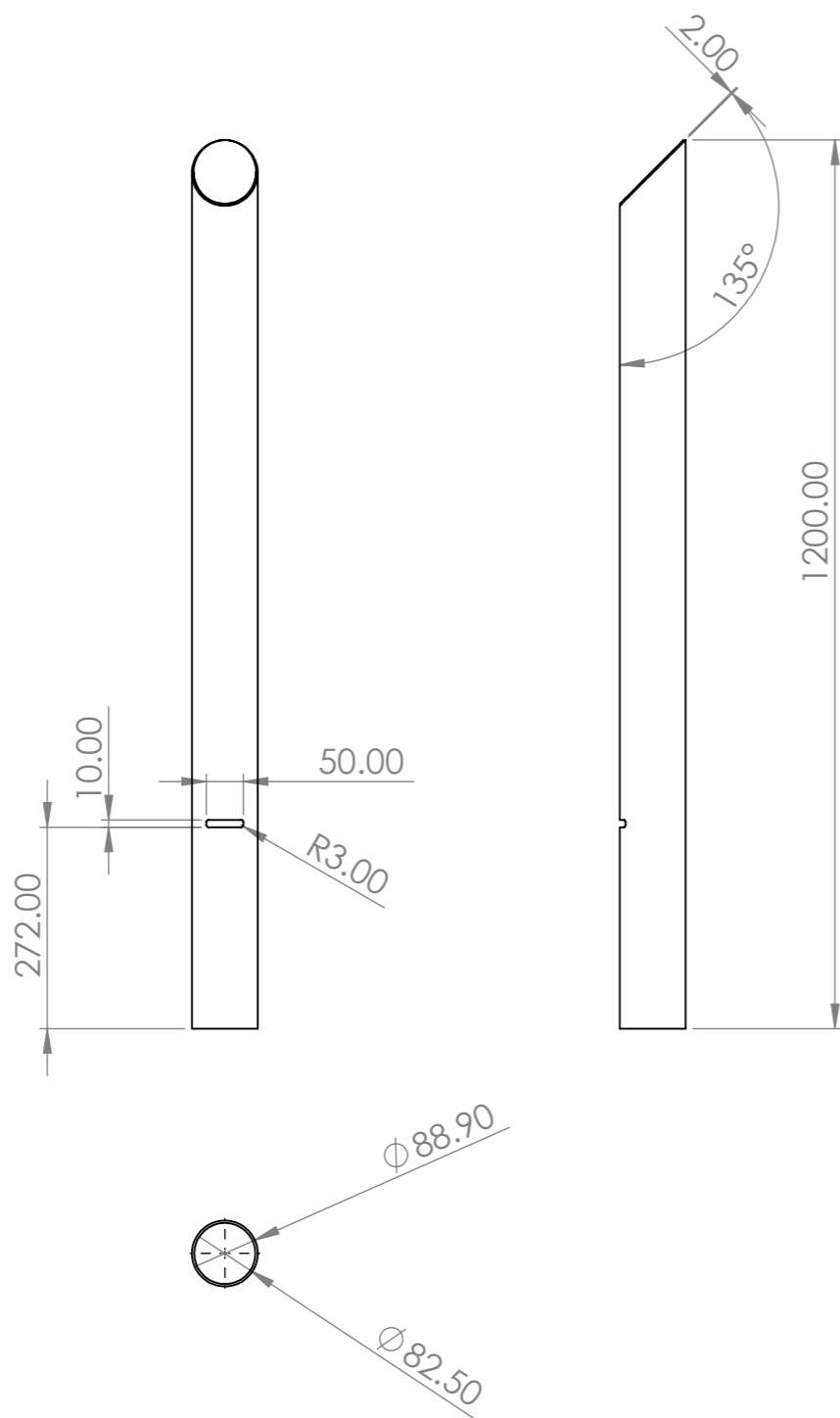
C

B

B

A

A



| | | | | | | | | | | | |
|---|--|--|---------|--|------------------------------------|--|---|--|-------------------------------------|--|--------------|
| UNLESS OTHERWISE SPECIFIED: DIMENSIONS ARE IN MILLIMETERS SURFACE FINISH: TOLERANCES: LINEAR: ANGULAR: | | | FINISH: | | DEBURR AND BREAK SHARP EDGES | | DO NOT SCALE DRAWING | | REVISION | | |
| | | | | | | | | | | | |
| | | | | | | | TITLE: 88.9mm Galv Mitred Bollard | | | | |
| DRAWN | | | NAME | | SIGNATURE | | DATE | | DWG NO. B-RM-G-HL-FL-H1200-D88.9 | | A3 |
| CHK'D | | | | | | | | | SCALE:1:10 | | SHEET 1 OF 1 |
| APPV'D | | | | | | | | | | | |
| MFG | | | | | | | | | | | |
| Q.A | | | | | | | MATERIAL: Galvanized Steel | | | | |
| | | | | | | | WEIGHT: 7948.27 | | | | |

8 7 6 5 4 3 2 1