

8 7 6 5 4 3 2 1

F

F

E

E

D

D

C

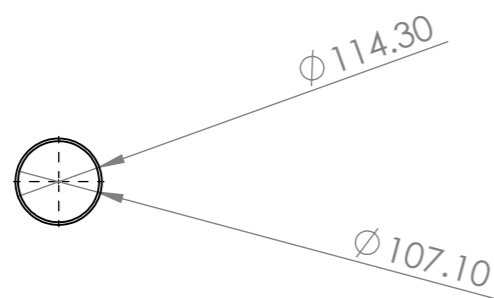
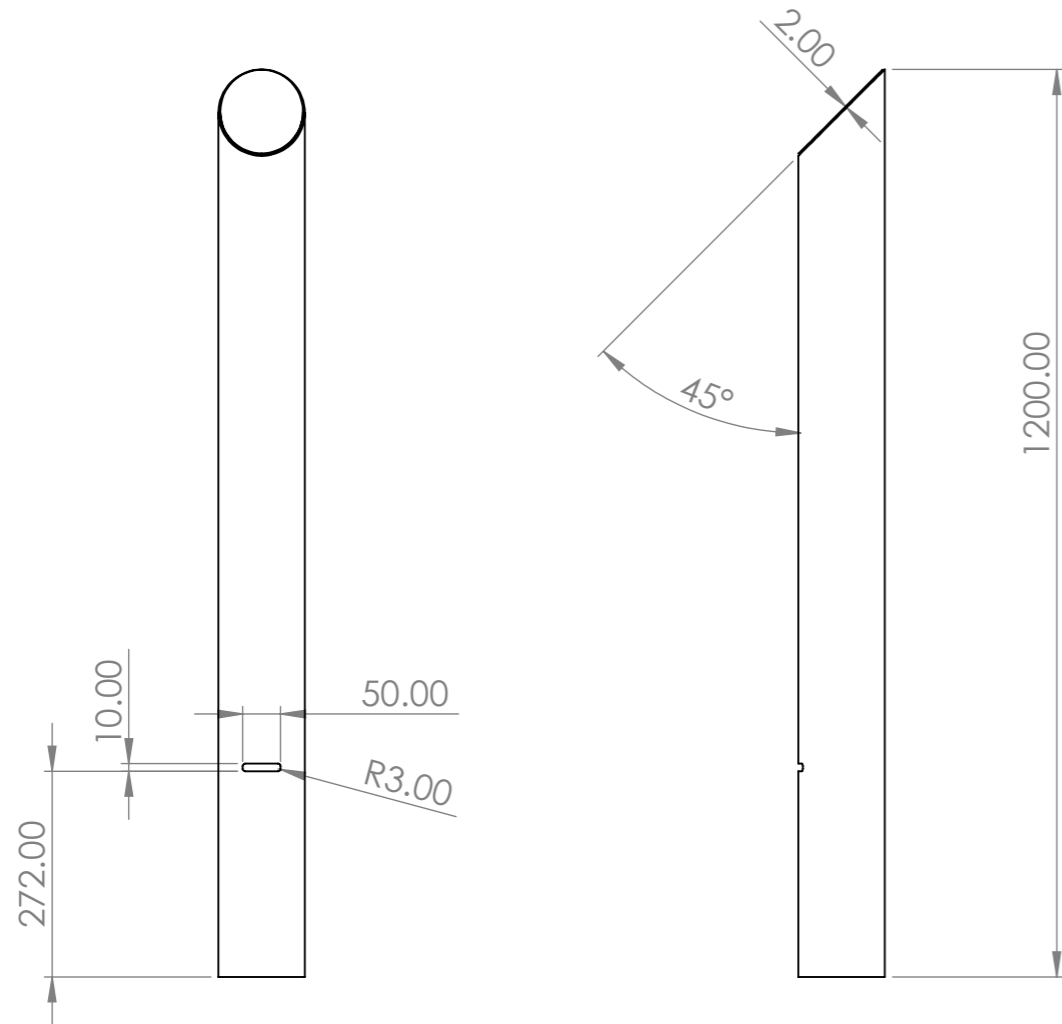
C

B

B

A

A



UNLESS OTHERWISE SPECIFIED: DIMENSIONS ARE IN MILLIMETERS SURFACE FINISH: TOLERANCES: LINEAR: ANGULAR:				FINISH:  Galvanized		DEBURR AND BREAK SHARP EDGES		DO NOT SCALE DRAWING		REVISION	
DRAWN				NAME		SIGNATURE		DATE		TITLE: <b>114.3mm Galv Mitred Bollard</b>	
CHK'D										DWG NO. B-RM-G-HL-FL-H1200-D114.3	
APPV'D										A3	
MFG										SCALE:1:10	
Q.A								MATERIAL: Galvanized Steel		SHEET 1 OF 1	
								WEIGHT: 11457.51			

8 7 6 5 4 3 2 1