

8 7 6 5 4 3 2 1

F

F

E

E

D

D

C

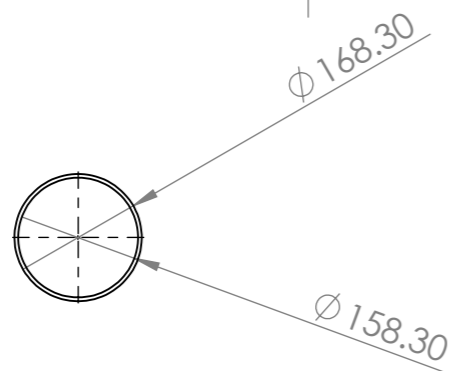
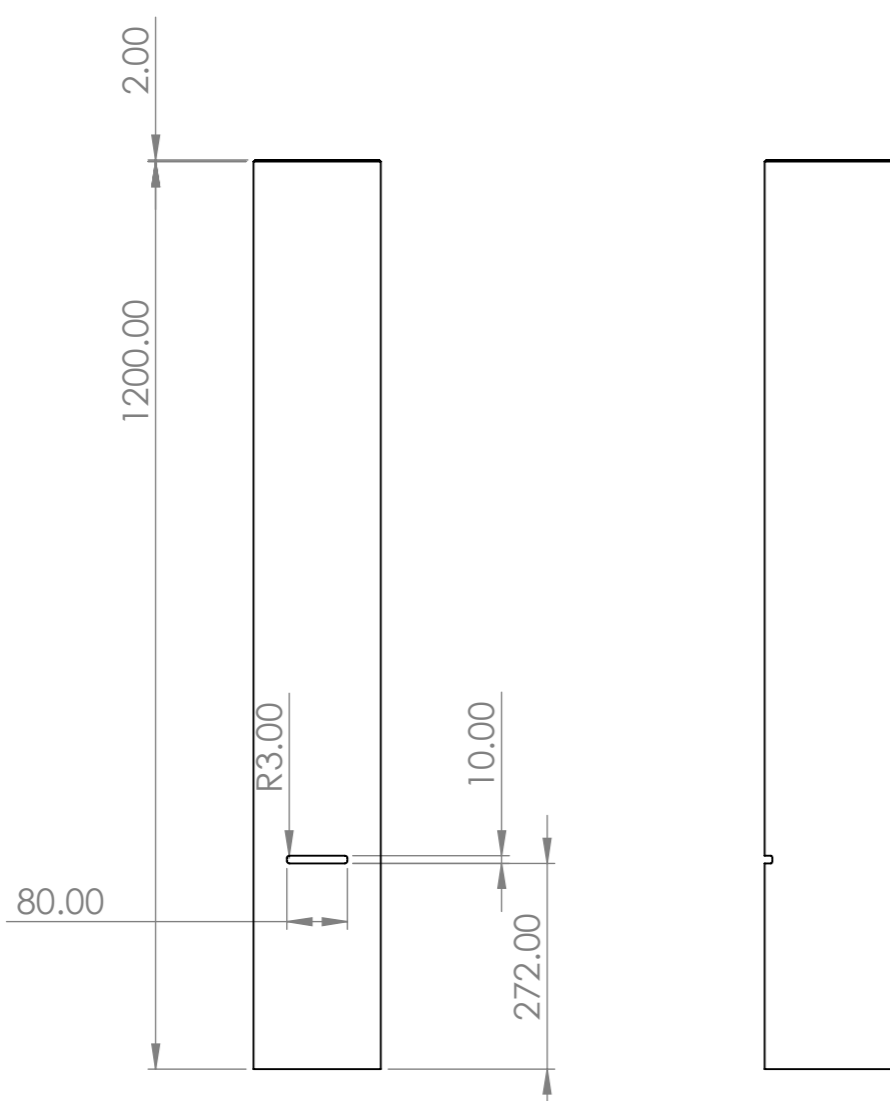
C


B

B

A

A



UNLESS OTHERWISE SPECIFIED: DIMENSIONS ARE IN MILLIMETERS SURFACE FINISH: TOLERANCES: LINEAR: ANGULAR:			FINISH:		DEBURR AND BREAK SHARP EDGES		DO NOT SCALE DRAWING		REVISION		
											
							TITLE:				
DRAWN			NAME		SIGNATURE		DATE				
CHK'D											
APPV'D											
MFG											
Q.A							MATERIAL:		DWG NO.		
							AISI 304		B-RF-SS-HL-FL-H1200-D168.3		
							WEIGHT: 24935.35		SCALE: 1:10		
									SHEET 1 OF 1		
									A3		

8 7 6 5 4 3 2 1