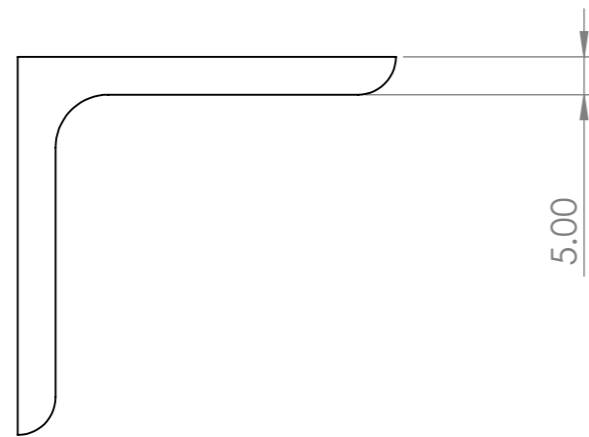
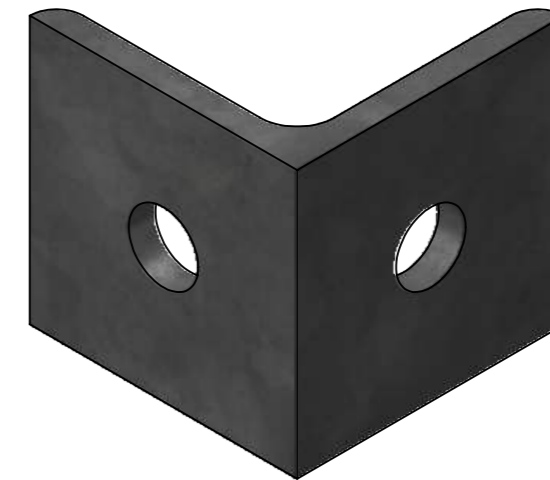
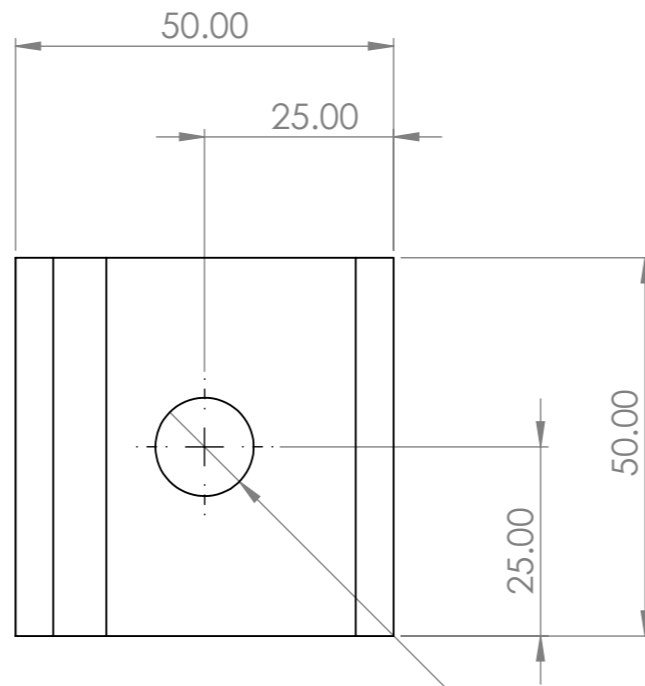
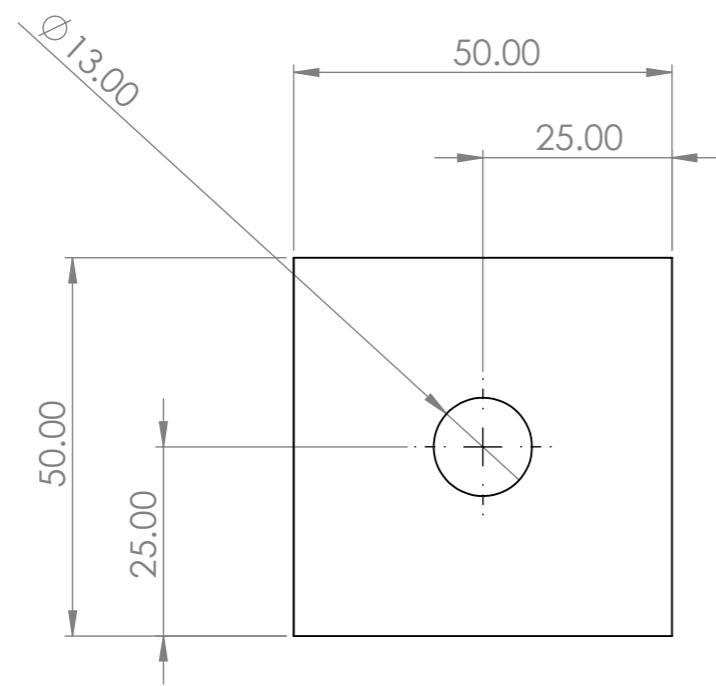



REV	REVISION NOTES	REVISION BY	REVISION DATE
1			
2			
3			
4			



 Alfa Industrial Services LTD 17 Bridge St Pendlebury Manchester M27 4DU	UNLESS OTHERWISE SPECIFIED: DIMENSIONS ARE IN MILLIMETERS TOLERANCES: X: ±2.5 X.XX: ±0.13 X.X: ±0.25 X.XXX: ±0.013		CUSTOMER:	
	MATERIAL: Galvanized Steel		DESCRIPTION: 50 x 50 Angle Iron 90 Degree Pedestrian Guard Rail Connection 2no Per Corner	
FINISH: WEIGHT: 176.38 grams		BY:	DATE:	DWG NO:
DEBUR AND BREAK SHARP EDGES DO NOT SCALE DRAWING IF IN DOUBT ASK!		DRAWN: LH		90 degree connection bracket
		CHECKED:		REV:
		APPROVED:		SHEET SCALE: 1:1
				SHEET SIZE: A3
				SHEET NUMBER: 1 OF 1