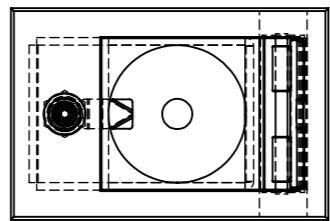


8 7 6 5 4 3 2 1

F

F



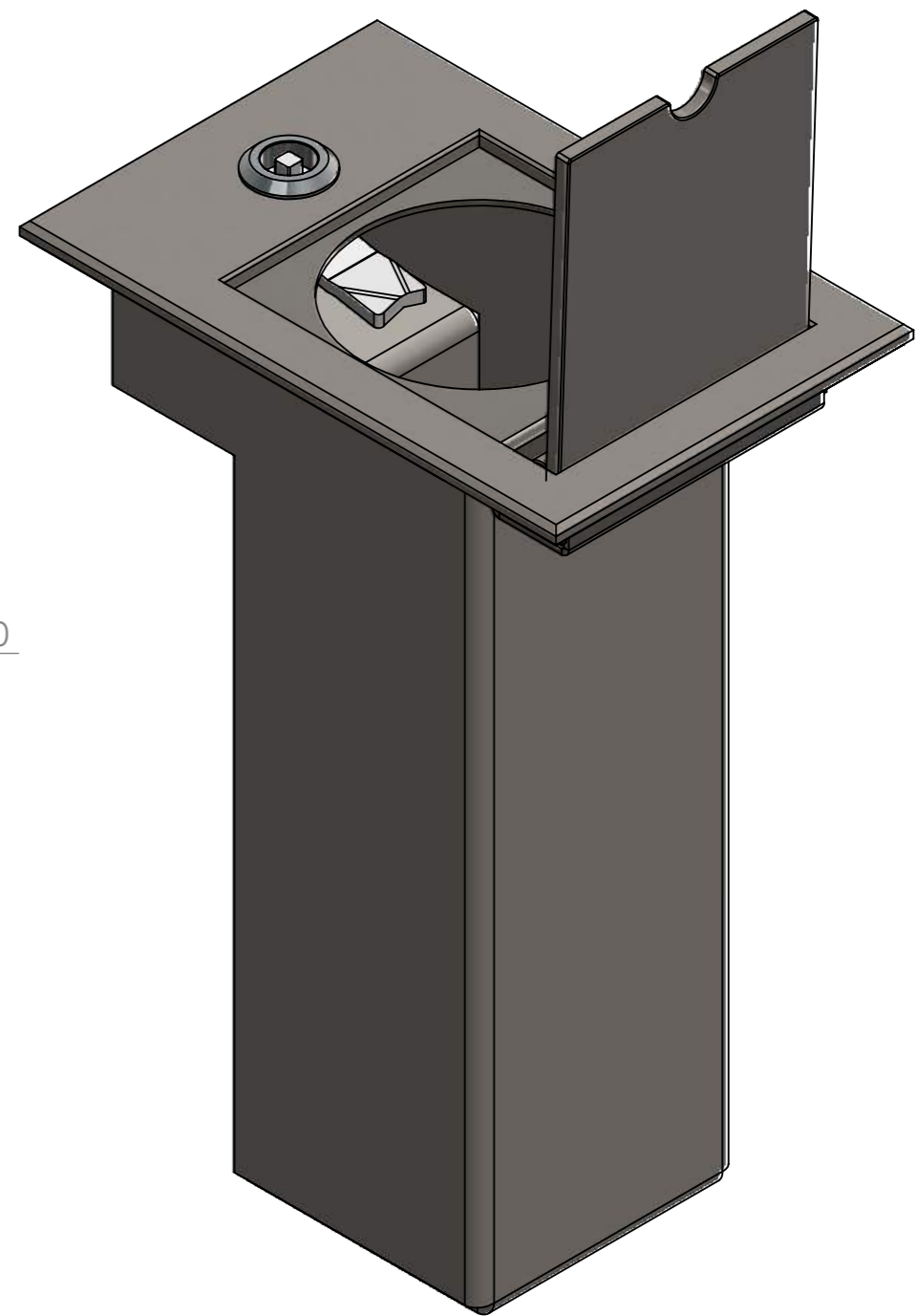
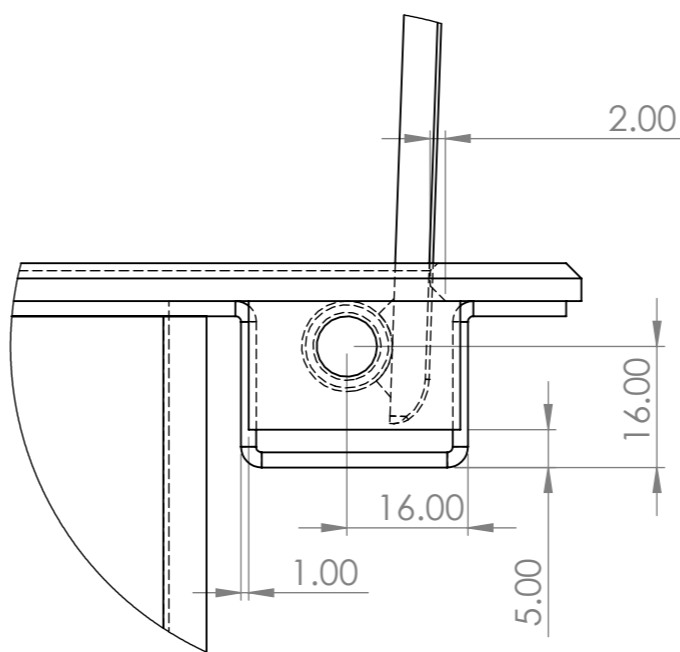
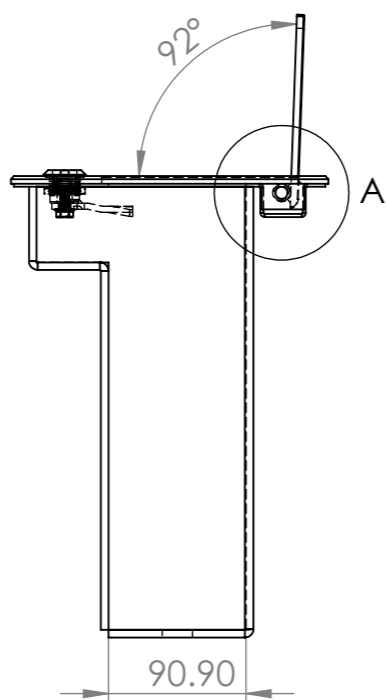
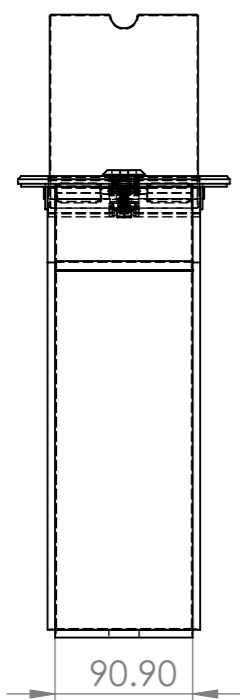
E

D

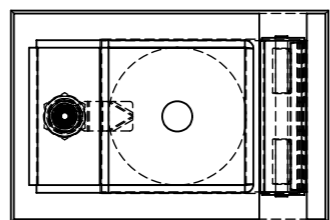
C

B

A



DETAIL A
SCALE 1 : 1



UNLESS OTHERWISE SPECIFIED: DIMENSIONS ARE IN MILLIMETERS SURFACE FINISH: TOLERANCES: LINEAR: ANGULAR:			FINISH:		DEBURR AND BREAK SHARP EDGES		DO NOT SCALE DRAWING		REVISION		
							TITLE:				
DRAWN			NAME		SIGNATURE		DATE		DWG NO. 88.9 socket Asy		
CHK'D									A3		
APPV'D									SCALE: 1:5		
MFG									SHEET 1 OF 6		
Q.A							MATERIAL: Stainless Steel		WEIGHT: 6630.04		

8 7 6 5 4 3 2 1

8 7 6 5 4 3 2 1

F

F

E

E

D

D

C

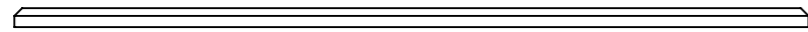
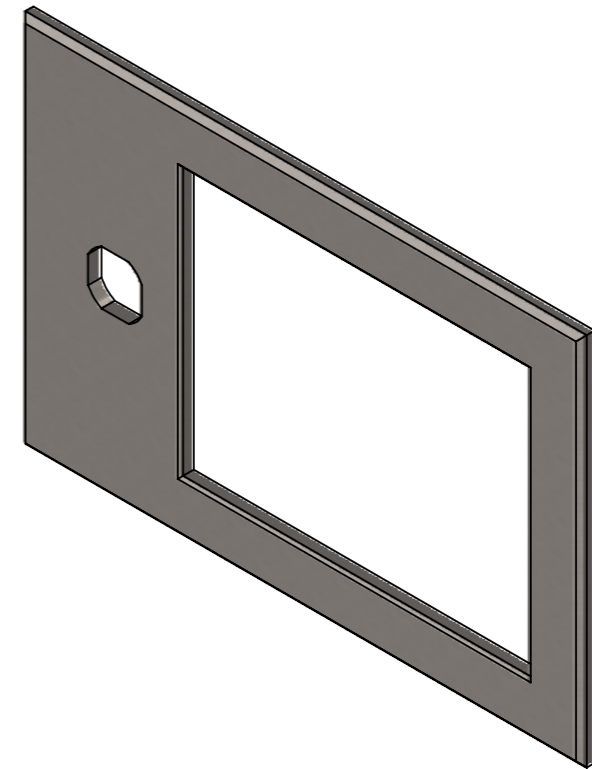
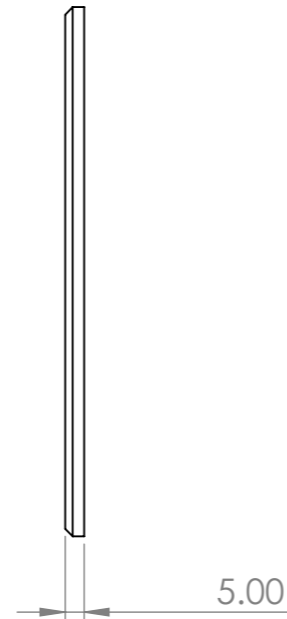
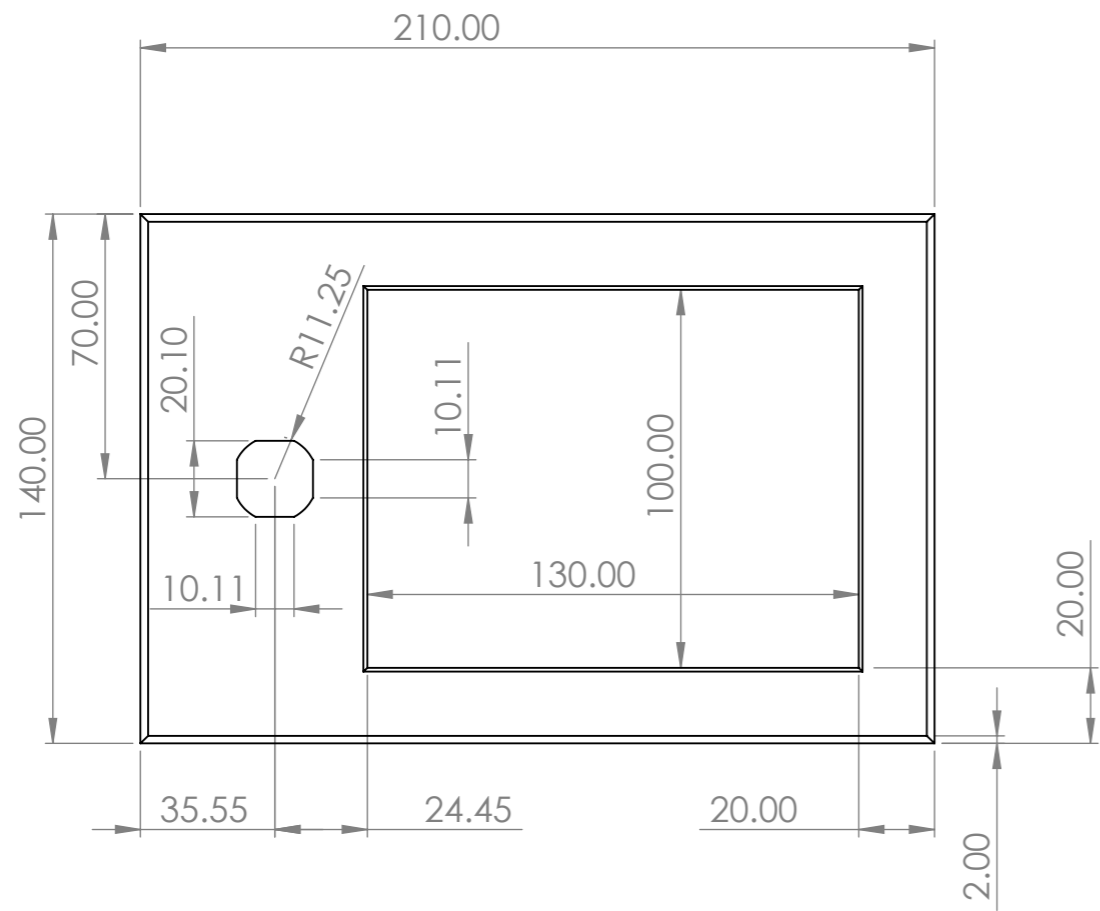
C


B

B

A

A



UNLESS OTHERWISE SPECIFIED: DIMENSIONS ARE IN MILLIMETERS SURFACE FINISH: TOLERANCES: LINEAR: ANGULAR:			FINISH:		DEBURR AND BREAK SHARP EDGES		DO NOT SCALE DRAWING		REVISION		
											
							TITLE: 88.9 Ground Plate				
DRAWN			NAME		SIGNATURE		DATE		DWG NO. 88.9 socket Asy		
CHK'D									A3		
APPV'D									SCALE:1:5		
MFG									SHEET 2 OF 6		
Q.A							MATERIAL: Polished Stainless steel				
							WEIGHT: 6630.04				

8 7 6 5 4 3 2 1

8 7 6 5 4 3 2 1

F

F

E

E

D

D

C

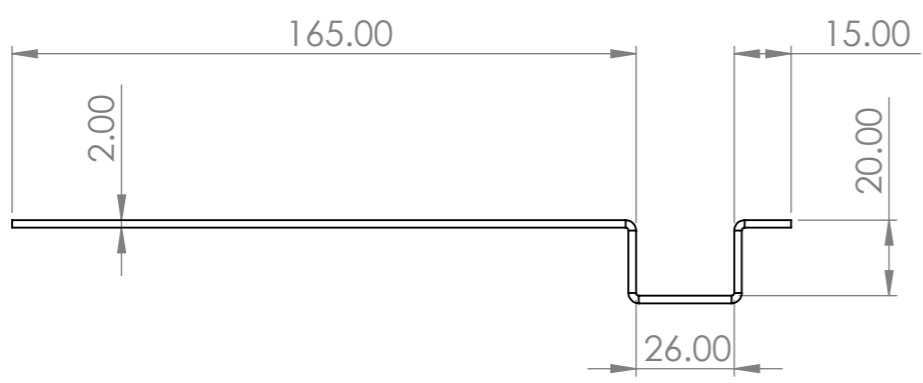
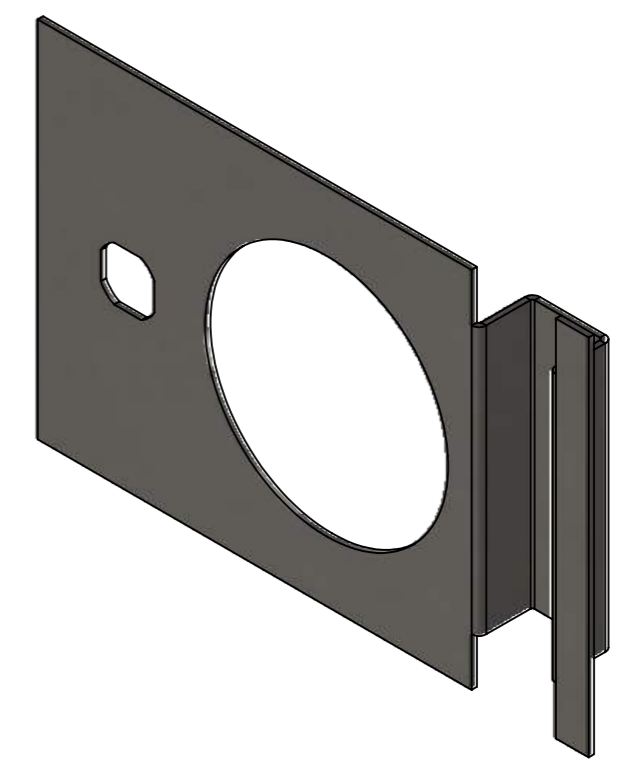
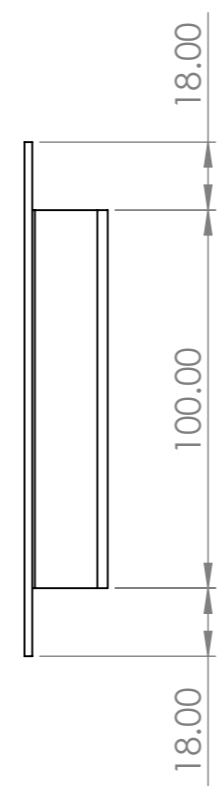
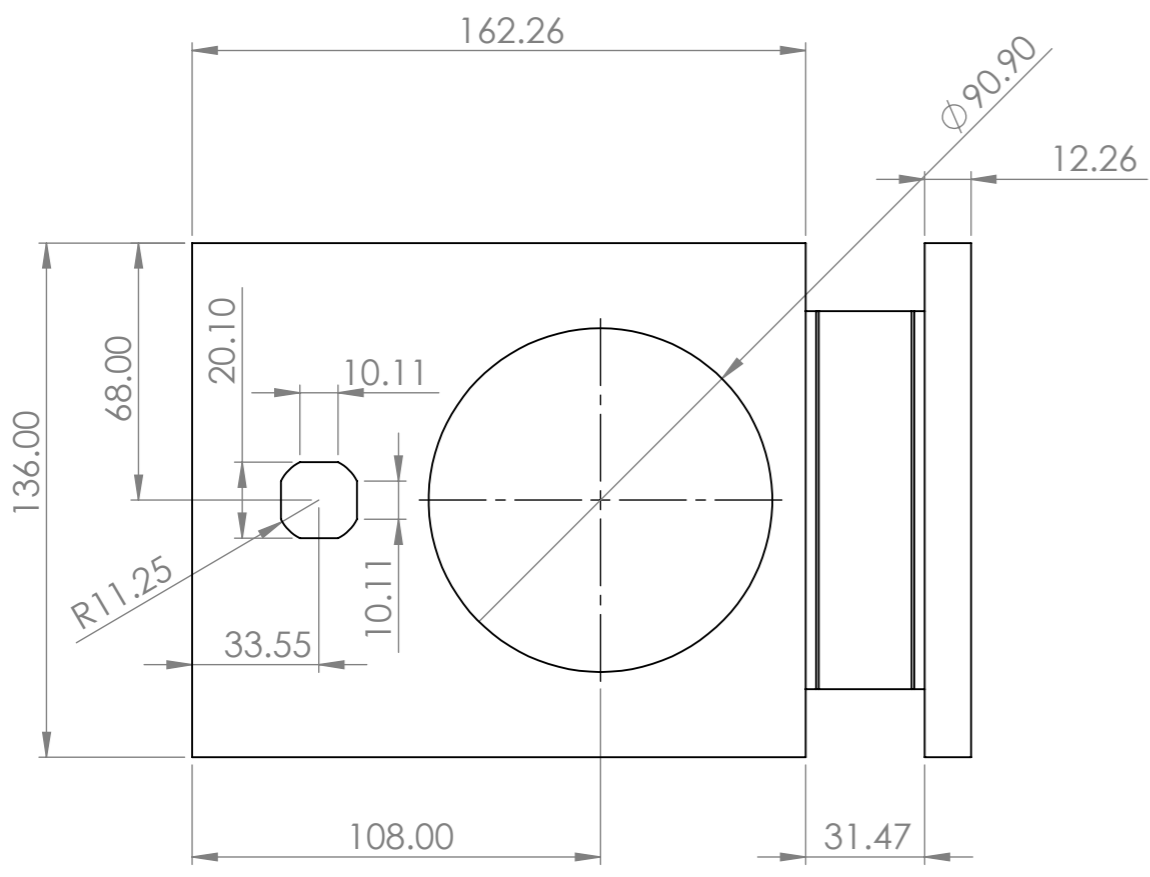
C

B

B

A

A



UNLESS OTHERWISE SPECIFIED: DIMENSIONS ARE IN MILLIMETERS SURFACE FINISH: TOLERANCES: LINEAR: ANGULAR:			FINISH:		DEBURR AND BREAK SHARP EDGES		DO NOT SCALE DRAWING		REVISION		
							TITLE: 88.9mm Guide Plate				
							DWG NO. 88.9 socket Asy				A3
							MATERIAL: 2B Stainless Steel		SCALE:1:5		SHEET 3 OF 6
							WEIGHT: 6630.04				
NAME	SIGNATURE	DATE									
DRAWN											
CHK'D											
APPV'D											
MFG											
Q.A											

8 7 6 5 4 3 2 1

8 7 6 5 4 3 2 1

F

F

E

E

D

D

C

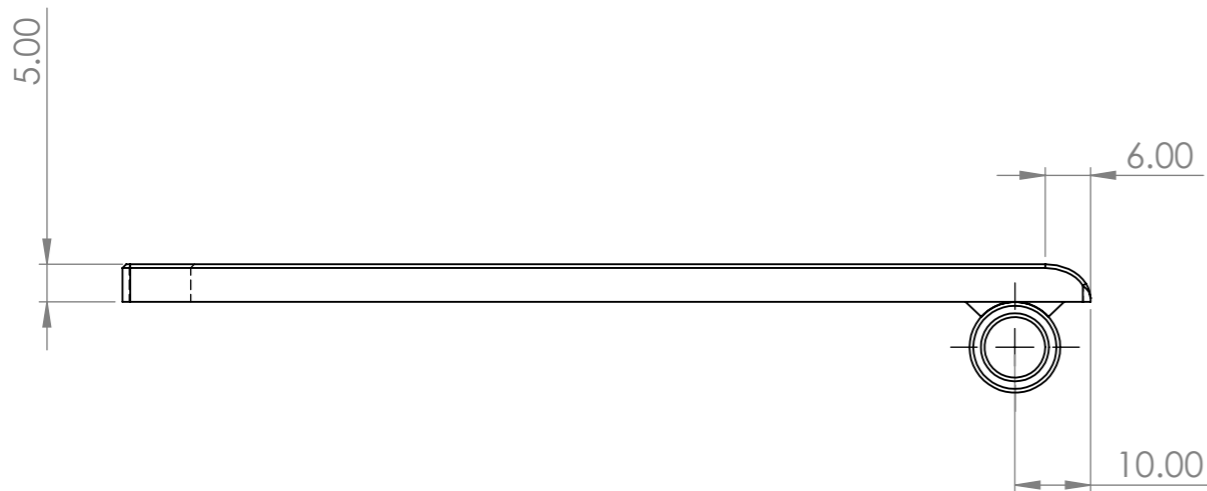
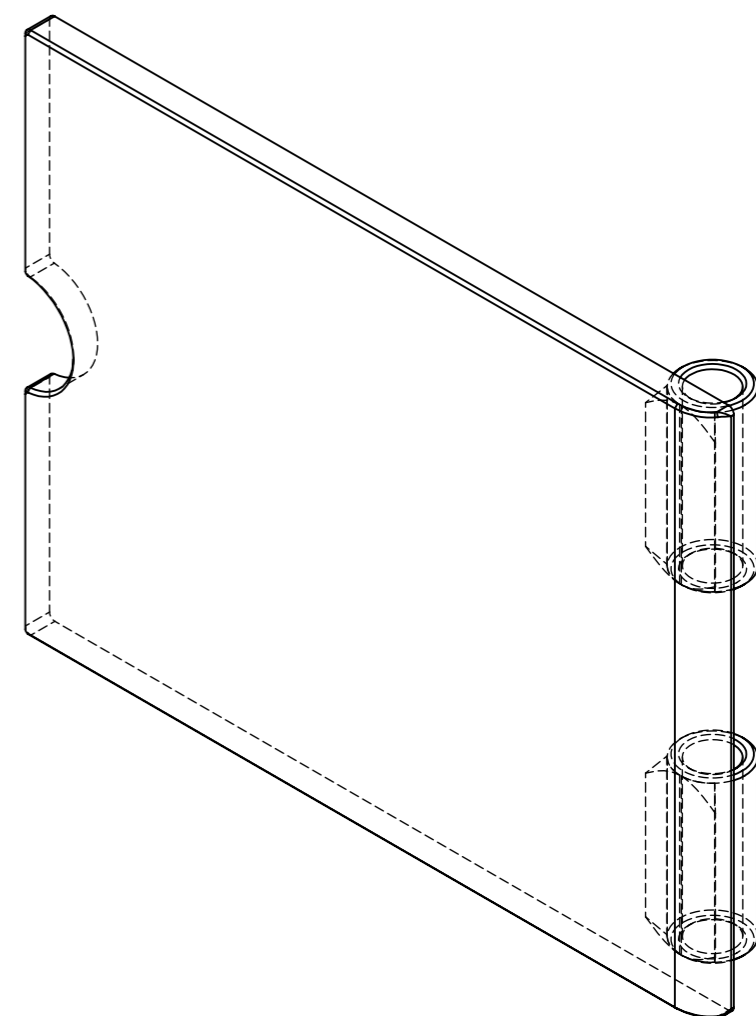
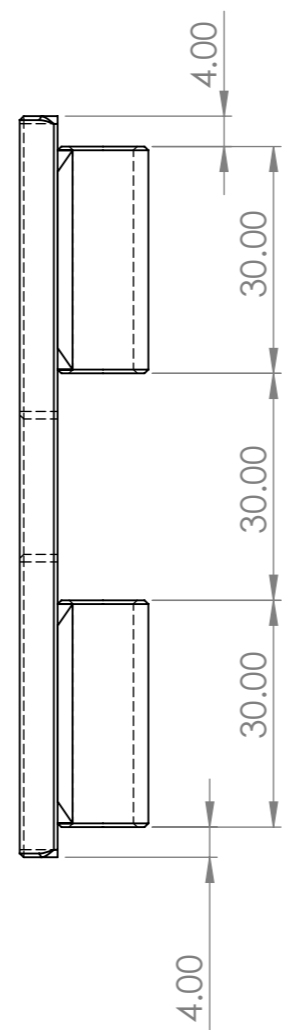
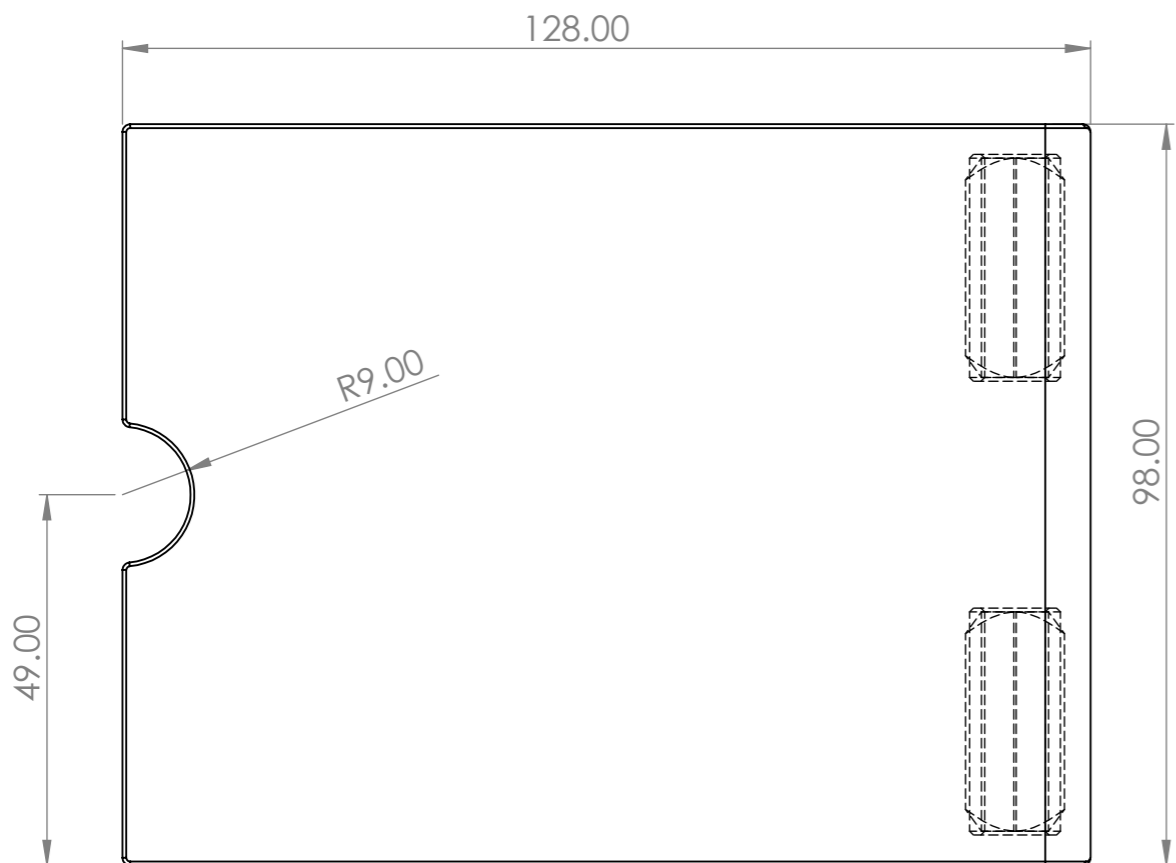
C

B

B

A

A



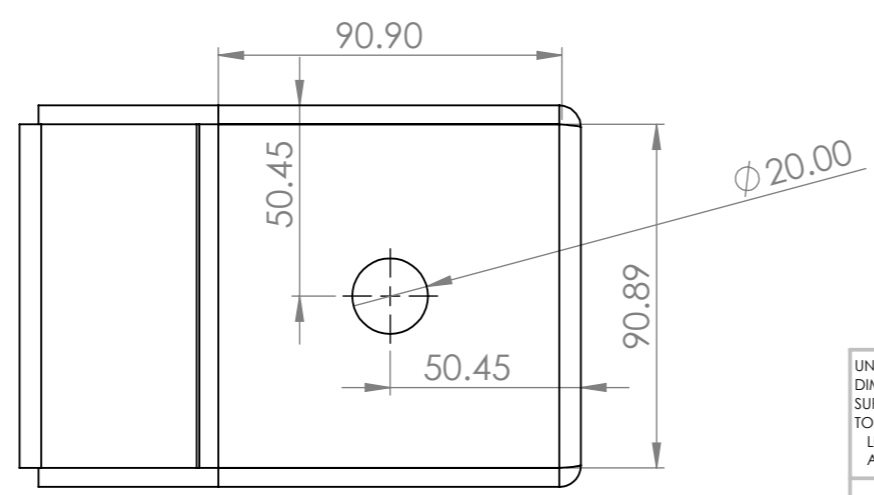
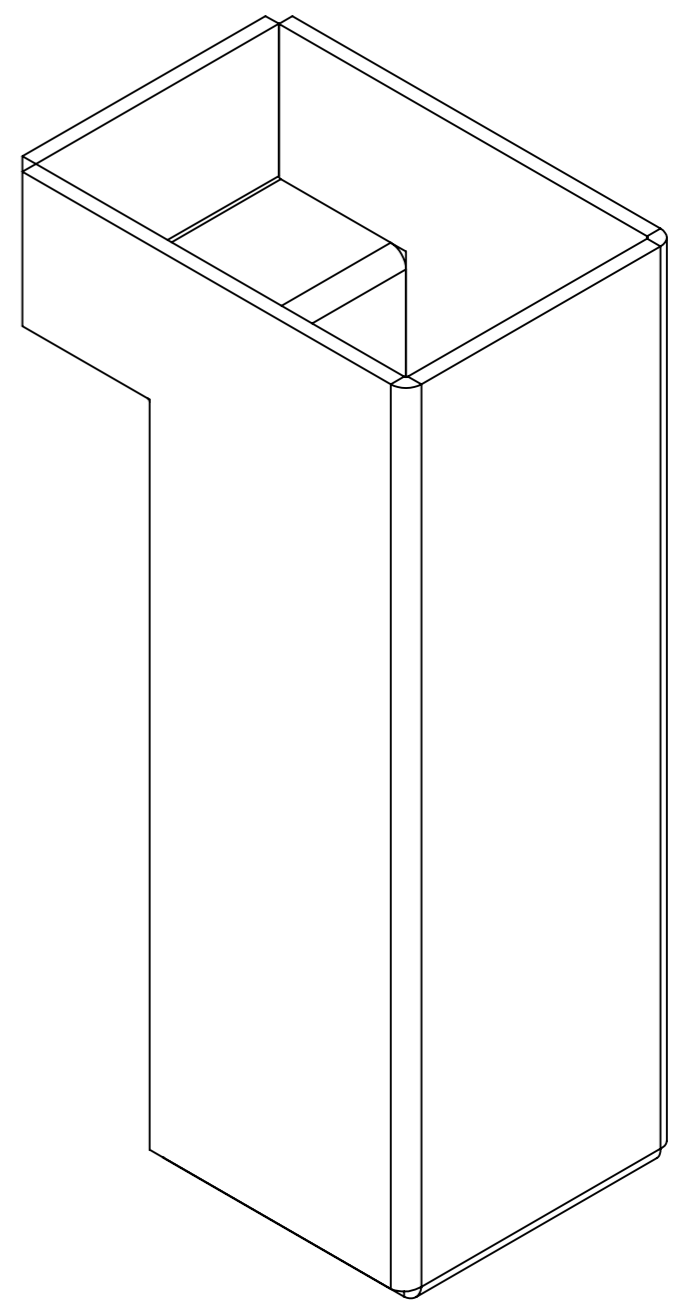
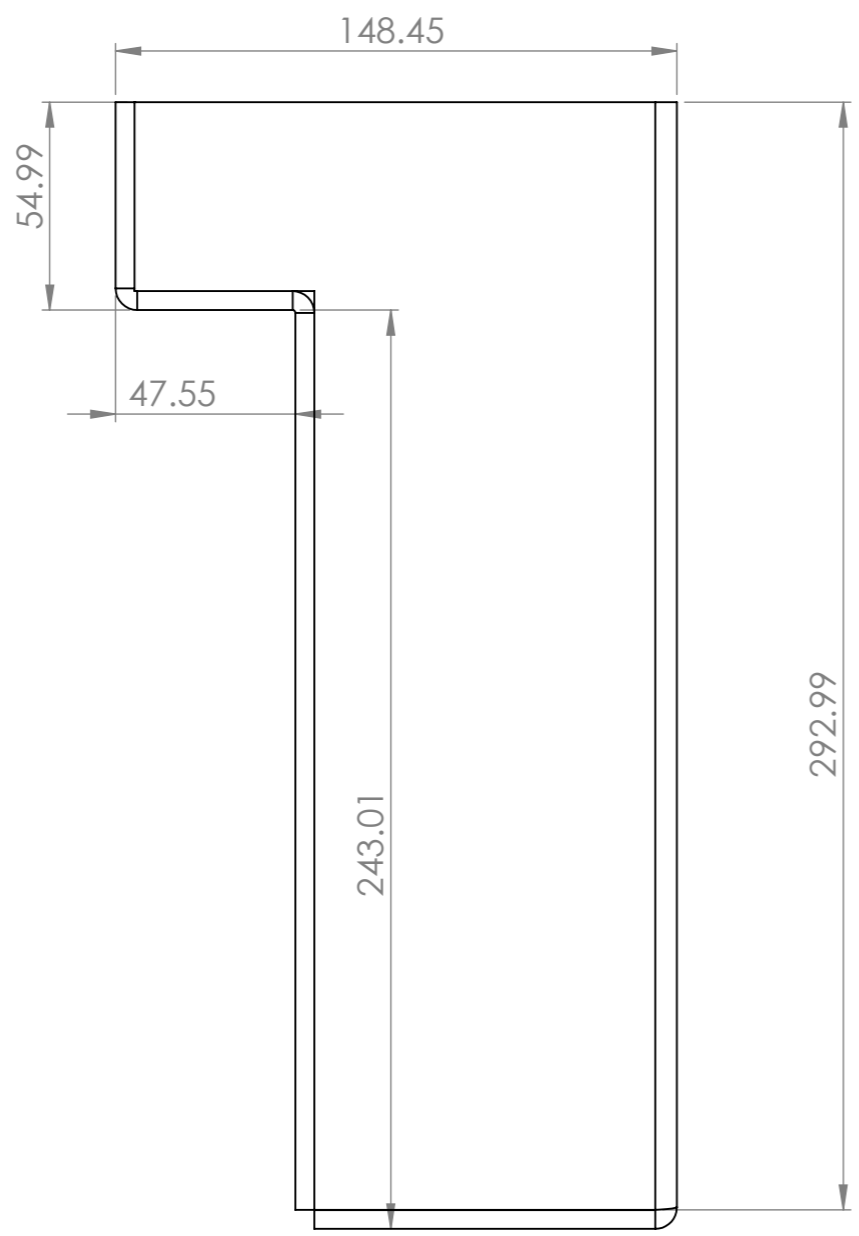
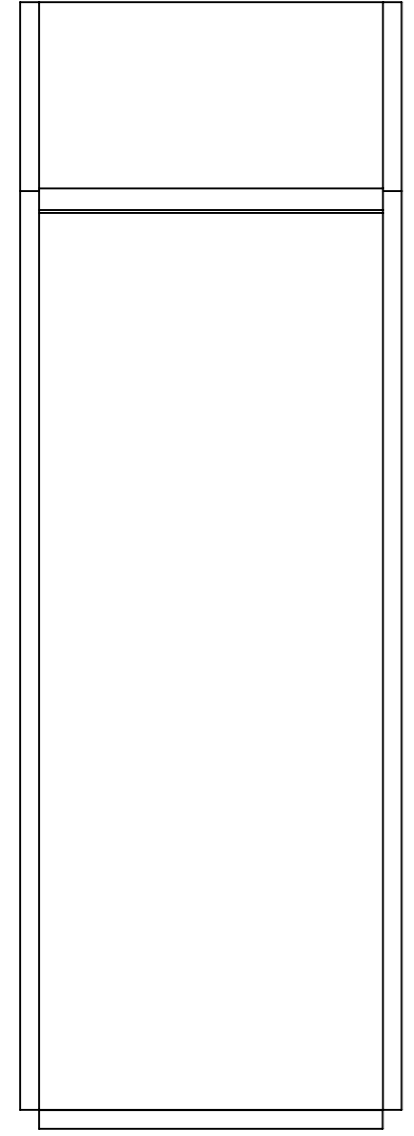
UNLESS OTHERWISE SPECIFIED: DIMENSIONS ARE IN MILLIMETERS SURFACE FINISH: TOLERANCES: LINEAR: ANGULAR:			FINISH:		DEBURR AND BREAK SHARP EDGES		DO NOT SCALE DRAWING		REVISION				
							TITLE: 88.9mm Flip Lid						
							MATERIAL: Polished Stainless Steel				DWG NO. 88.9 socket Asy		A3
							WEIGHT: 6630.04		SCALE: 1:5		SHEET 4 OF 6		
DRAWN	NAME	SIGNATURE	DATE										
CHK'D													
APPV'D													
MFG													
Q.A													


8 7 6 5 4 3 2 1

8 7 6 5 4 3 2 1

F
E
D
C
B
A

F
E
D
C
B
A



UNLESS OTHERWISE SPECIFIED: DIMENSIONS ARE IN MILLIMETERS			FINISH:		DEBURR AND BREAK SHARP EDGES		DO NOT SCALE DRAWING		REVISION		
SURFACE FINISH:											
TOLERANCES:									TITLE: 88.9mm Bollard Socket		
LINEAR:									DWG NO. 88.9 socket Asy		A3
ANGULAR:									SCALE: 1:5		SHEET 5 OF 6
DRAWN	NAME	SIGNATURE	DATE								
CHK'D											
APPV'D											
MFG											
Q.A											
						MATERIAL: 2B Stainless Steel					
						WEIGHT: 6630.04					

8 7 6 5 4 3 2 1

8 7 6 5 4 3 2 1

F

F

E

E

D

D

C

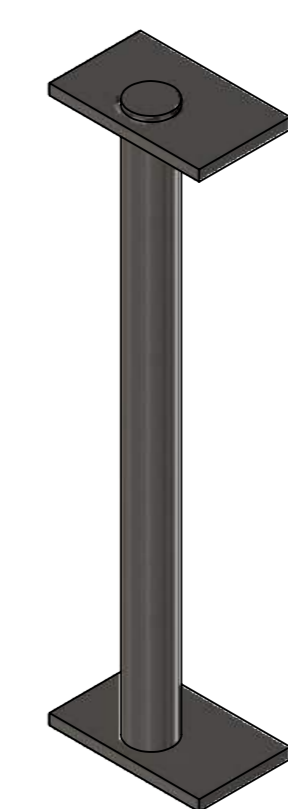
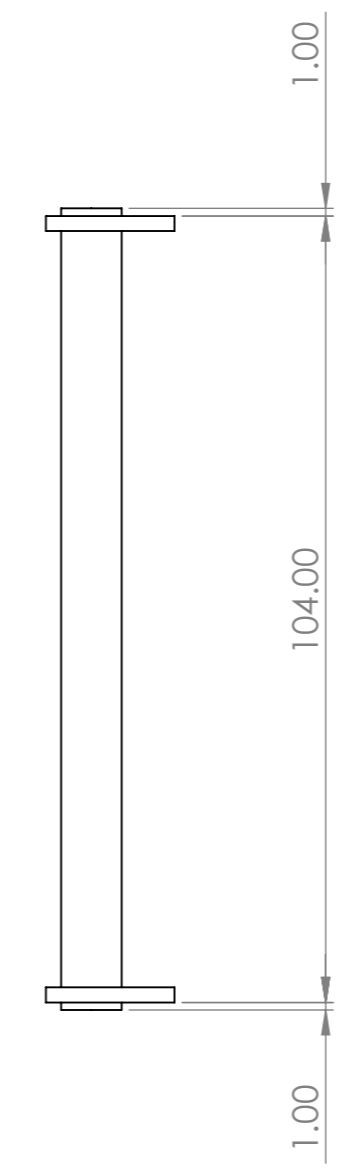
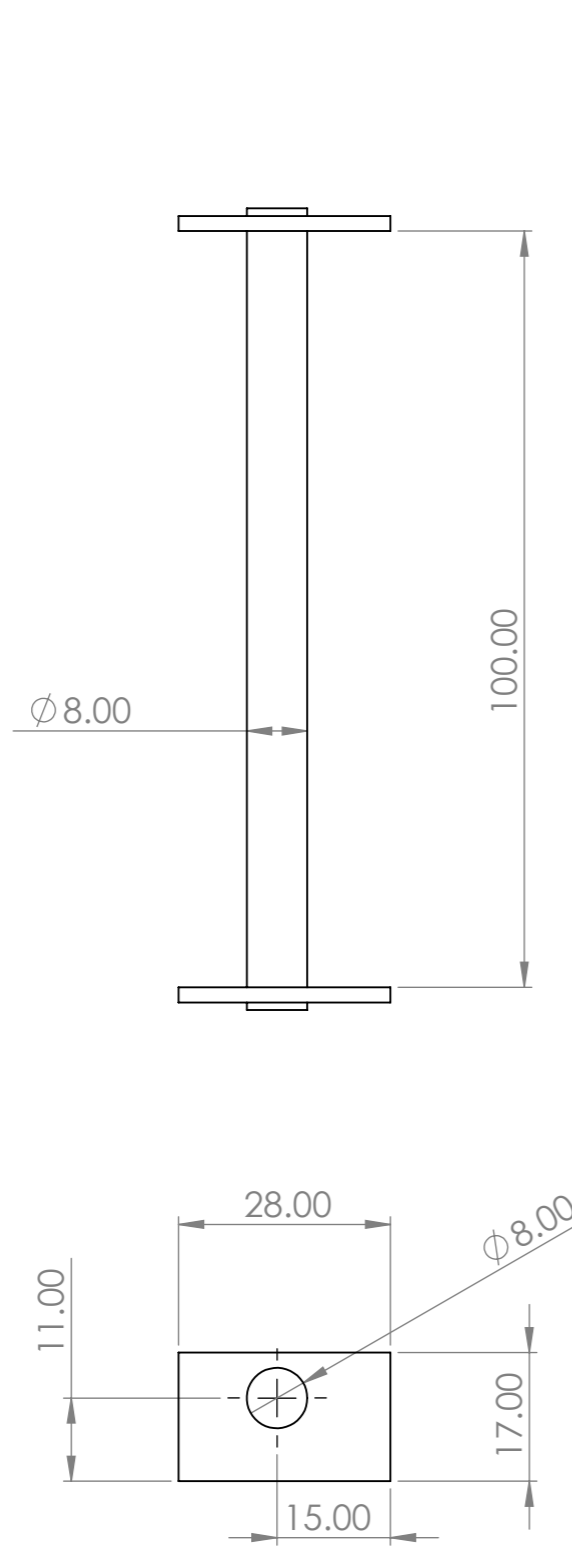
C

B

B

A

A



UNLESS OTHERWISE SPECIFIED: DIMENSIONS ARE IN MILLIMETERS SURFACE FINISH: TOLERANCES: LINEAR: ANGULAR:			FINISH:		DEBURR AND BREAK SHARP EDGES		DO NOT SCALE DRAWING		REVISION				
							TITLE: 88.9mm Hinge						
							MATERIAL: 2B Stainless Steel				DWG NO. 88.9 socket Asy		A3
							WEIGHT: 6630.04		SCALE: 1:5		SHEET 6 OF 6		
NAME	SIGNATURE	DATE											
DRAWN													
CHK'D													
APPV'D													
MFG													
Q.A													

8 7 6 5 4 3 2 1