

8

7

6

5

4

3

2

1

F

F

E

E

D

D

C

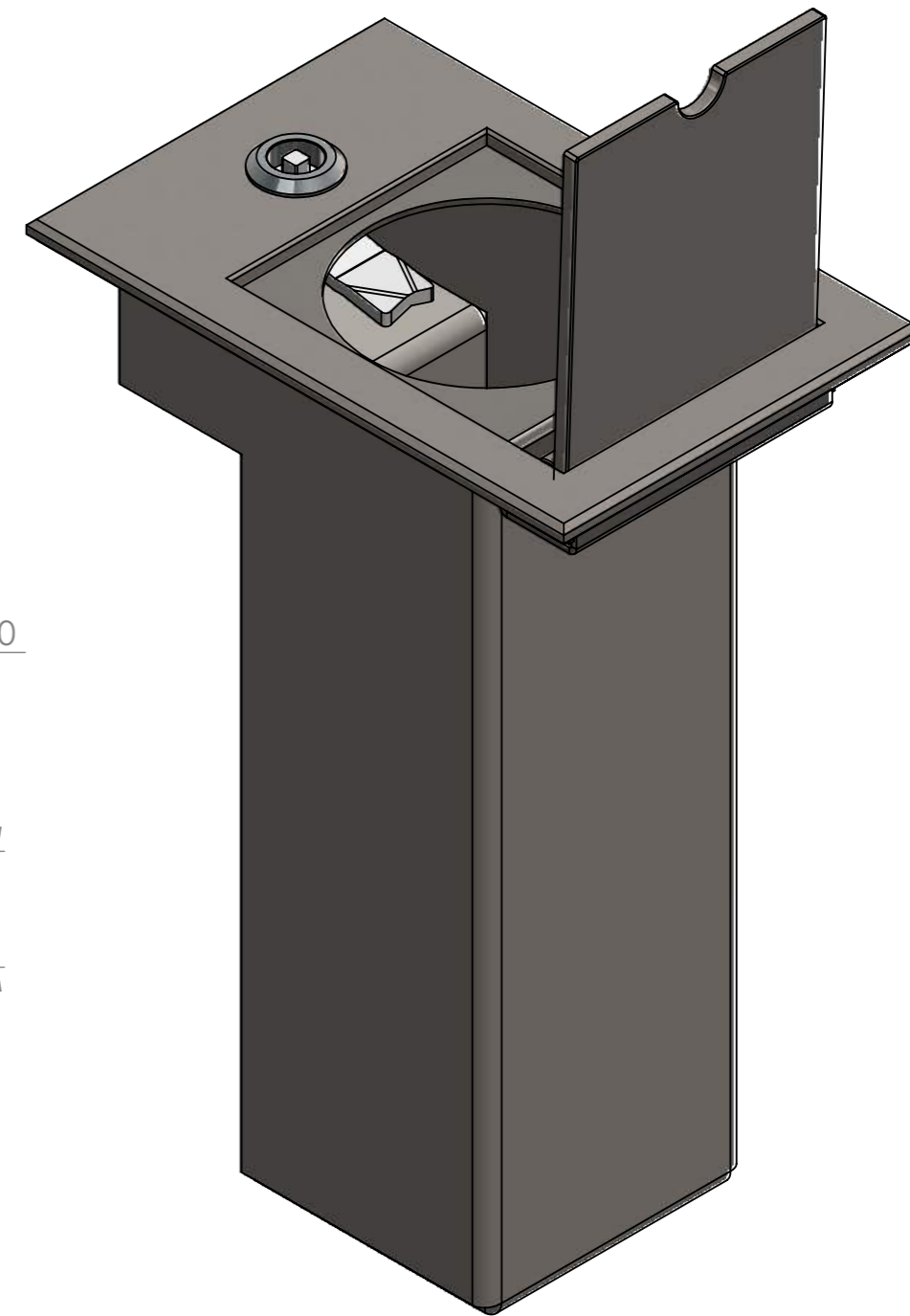
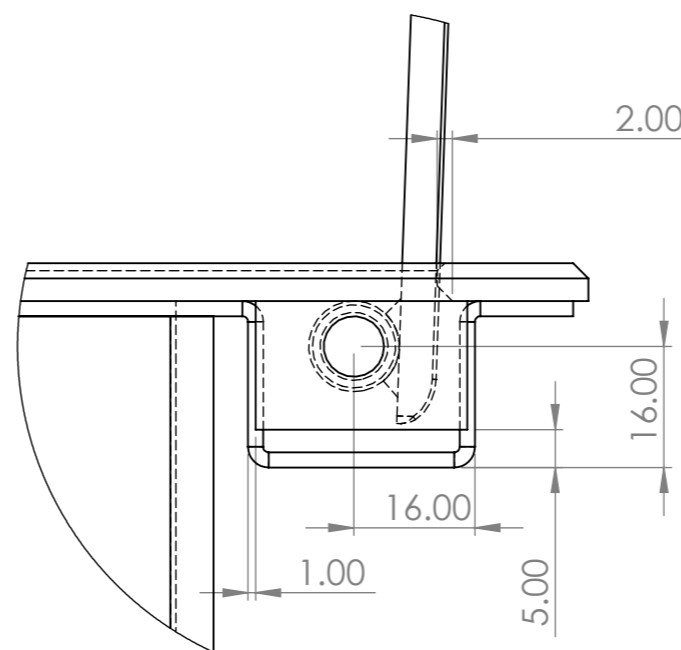
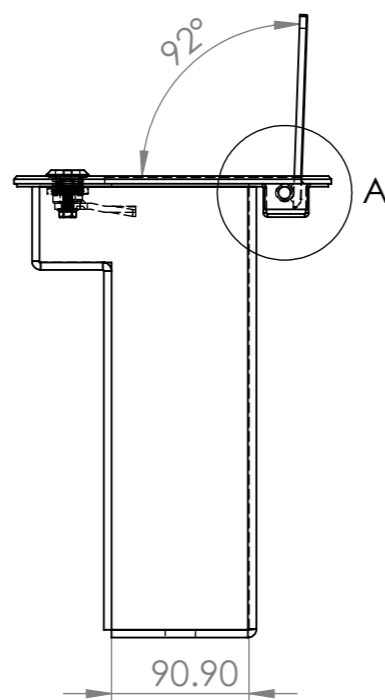
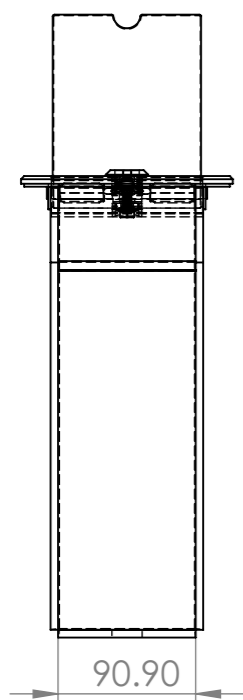
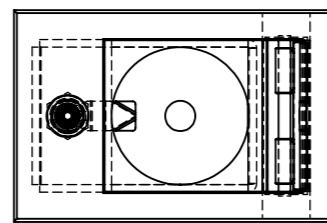
C

B

B

A

A



DETAIL A
SCALE 1 : 1

UNLESS OTHERWISE SPECIFIED: DIMENSIONS ARE IN MILLIMETERS SURFACE FINISH: TOLERANCES: LINEAR: ANGULAR:			FINISH:		DEBURR AND BREAK SHARP EDGES		DO NOT SCALE DRAWING		REVISION		
							TITLE:				
DRAWN			NAME		SIGNATURE		DATE				
CHK'D											
APPV'D											
MFG											
Q.A									MATERIAL:		DWG NO.
									Stainless Steel		88.9 socket Asy
									WEIGHT: 6630.04		A3
									SCALE: 1:5		SHEET 1 OF 6

8

7

6

5

4

3

2

1

8 7 6 5 4 3 2 1

F

F

E

E

D

D

C

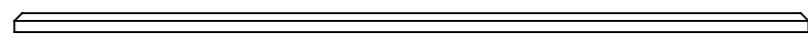
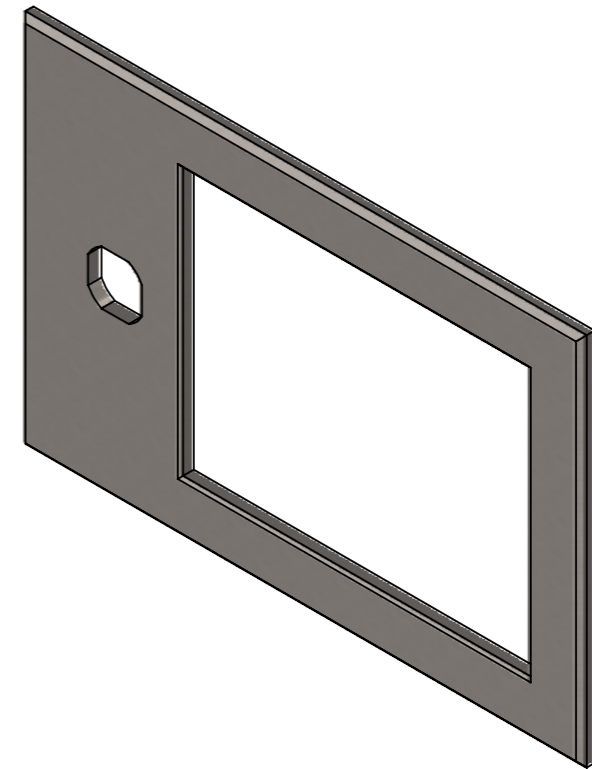
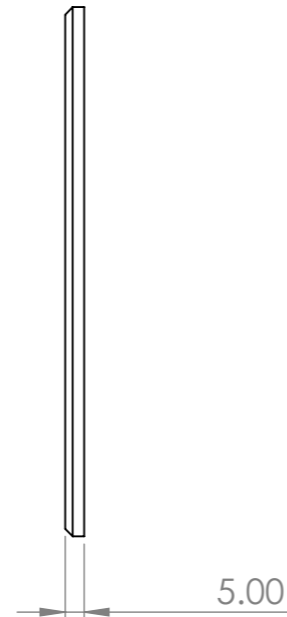
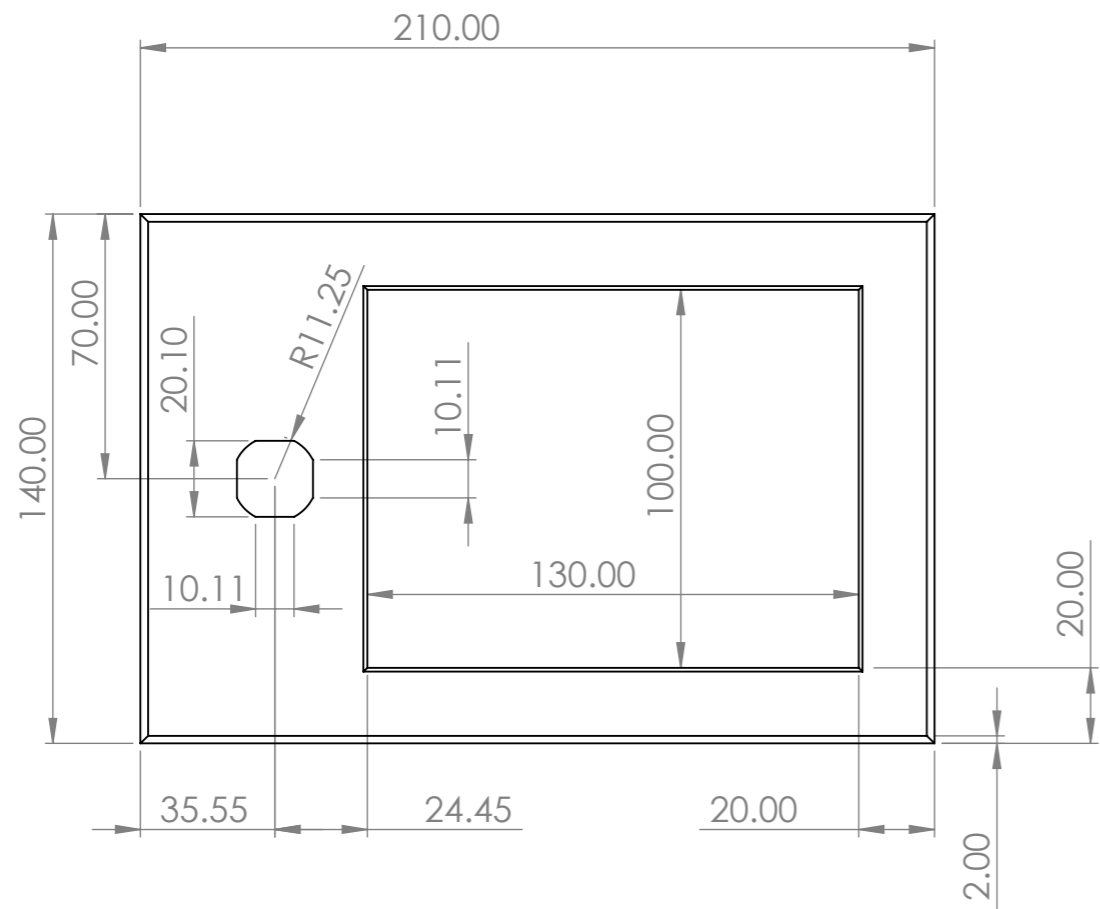
C

B

B

A

A



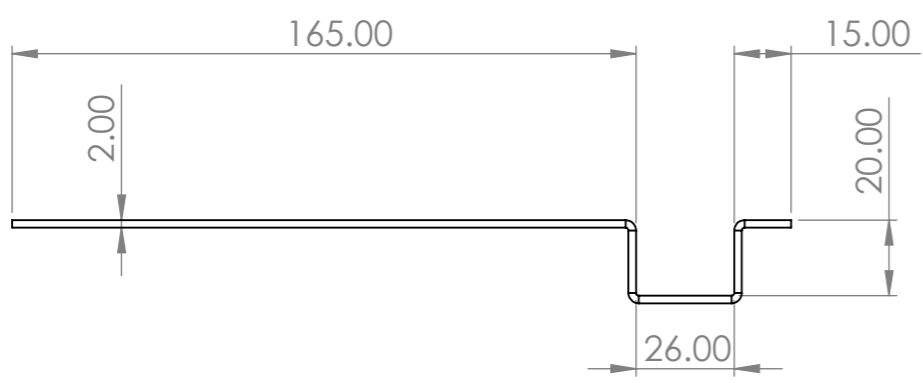
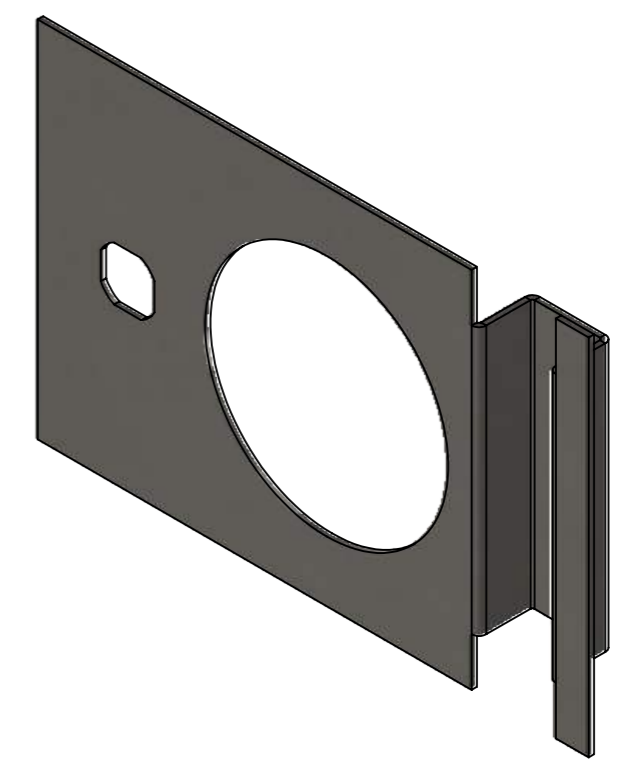
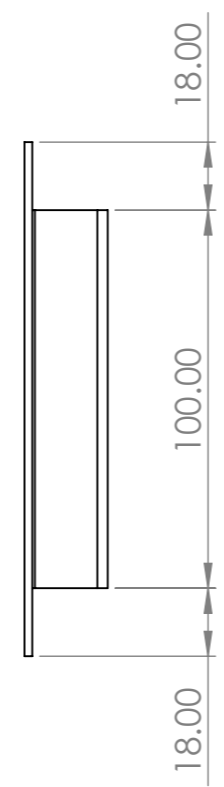
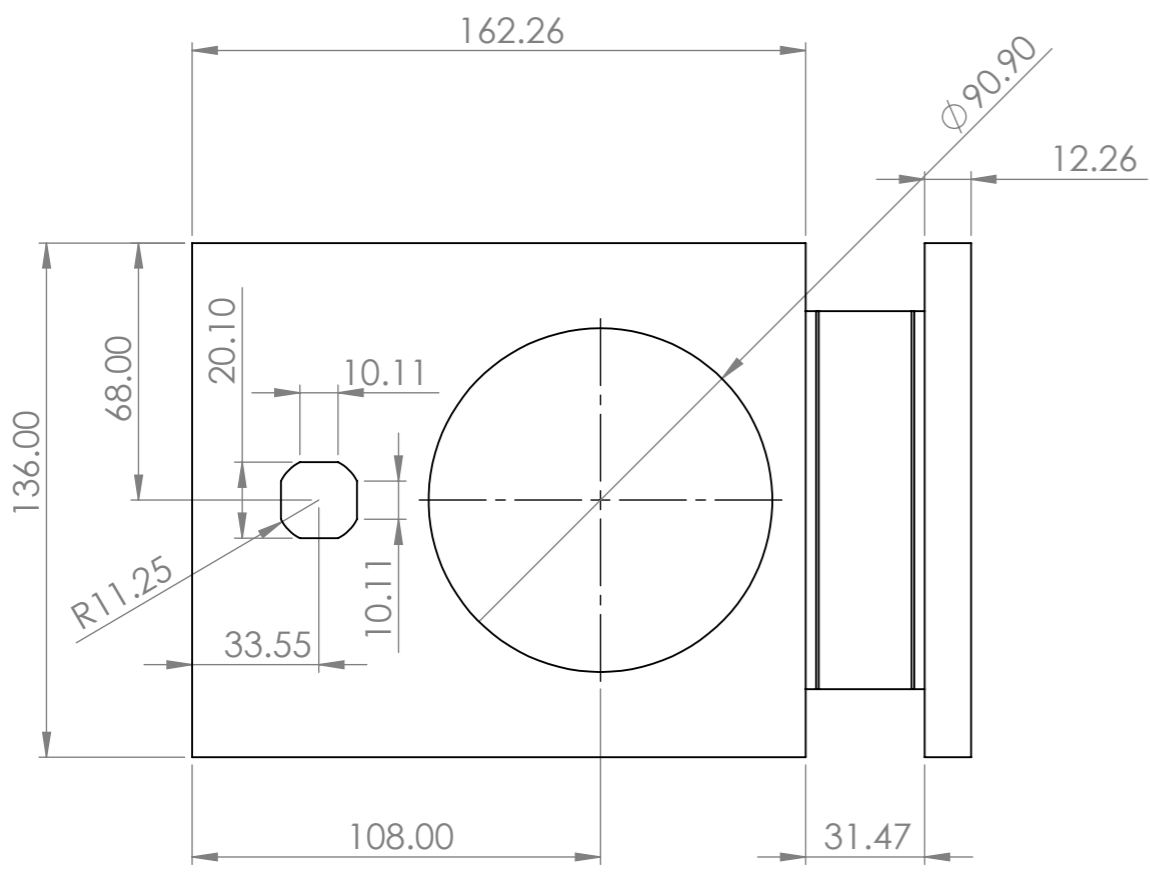
UNLESS OTHERWISE SPECIFIED: DIMENSIONS ARE IN MILLIMETERS SURFACE FINISH: TOLERANCES: LINEAR: ANGULAR:			FINISH:		DEBURR AND BREAK SHARP EDGES		DO NOT SCALE DRAWING		REVISION				
							TITLE: 88.9 Ground Plate						
							MATERIAL: Polished Stainless steel				DWG NO. 88.9 socket Asy		A3
							WEIGHT: 6630.04		SCALE: 1:5		SHEET 2 OF 6		
DRAWN	NAME	SIGNATURE	DATE										
CHK'D													
APPV'D													
MFG													
Q.A													

8 7 6 5 4 3 2 1

8 7 6 5 4 3 2 1

F
E
D
C
B
A

F
E
D
C
B
A



UNLESS OTHERWISE SPECIFIED: DIMENSIONS ARE IN MILLIMETERS SURFACE FINISH: TOLERANCES: LINEAR: ANGULAR:			FINISH:		DEBURR AND BREAK SHARP EDGES		DO NOT SCALE DRAWING		REVISION				
							TITLE: 88.9mm Guide Plate						
							MATERIAL: 2B Stainless Steel				DWG NO. 88.9 socket Asy		A3
							WEIGHT: 6630.04		SCALE: 1:5		SHEET 3 OF 6		
DRAWN	NAME	SIGNATURE	DATE										
CHK'D													
APPV'D													
MFG													
Q.A													

8 7 6 5 4 3 2 1

8 7 6 5 4 3 2 1

F

F

E

E

D

D

C

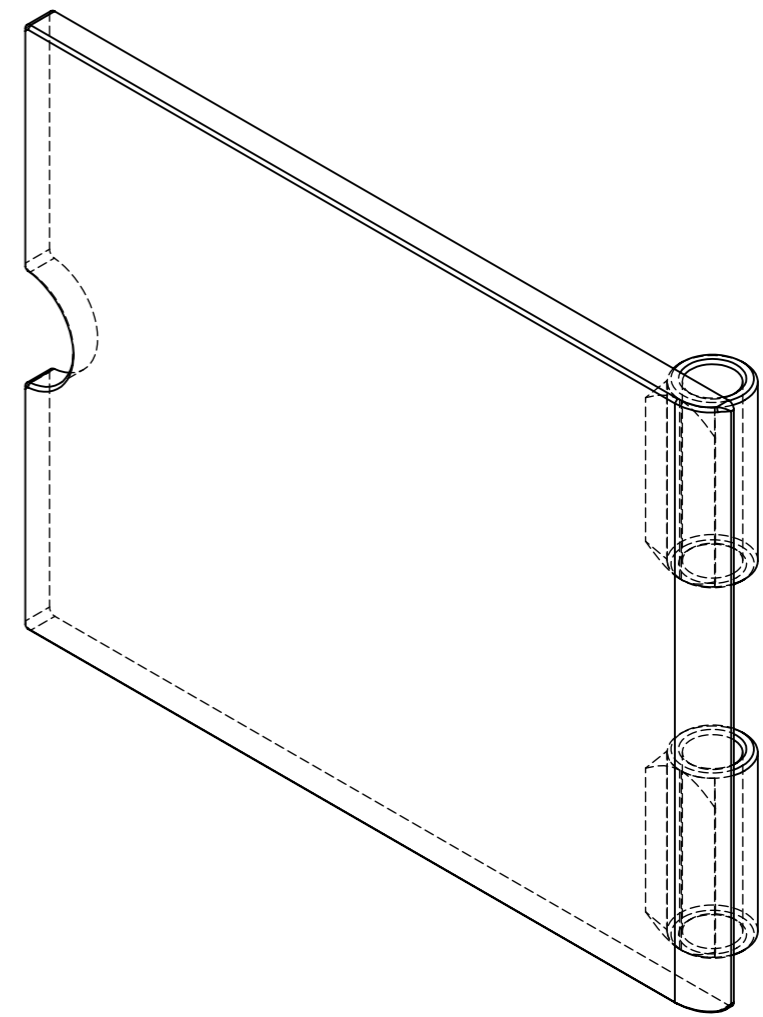
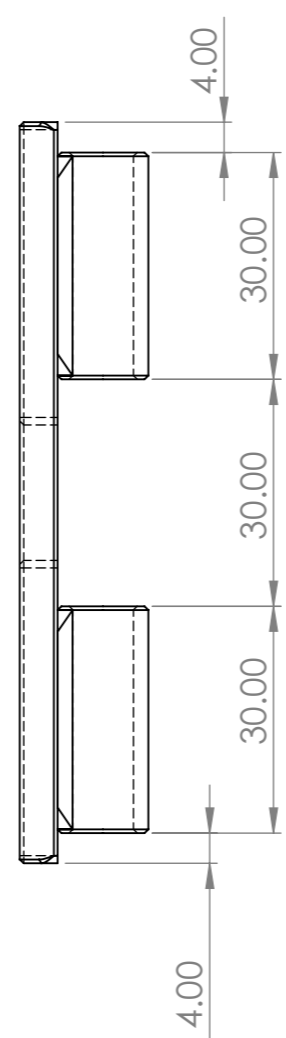
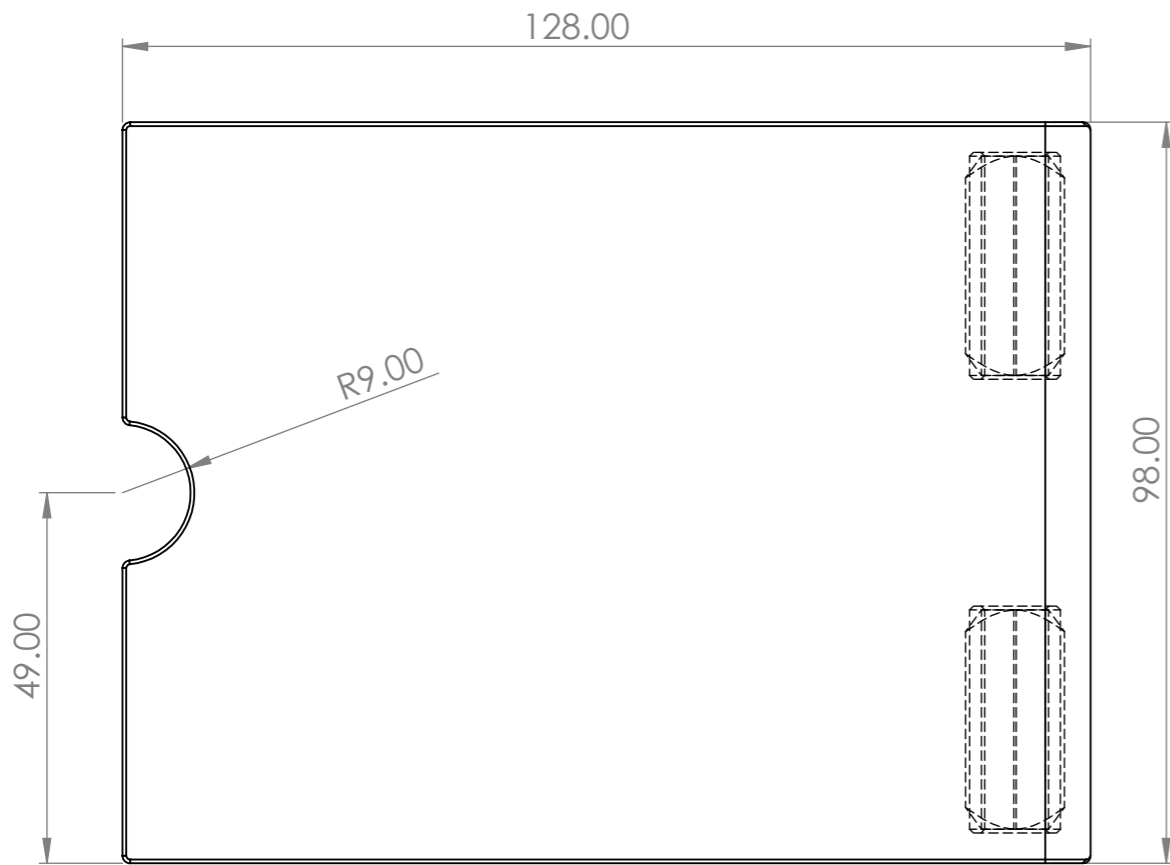
C

B

B

A

A



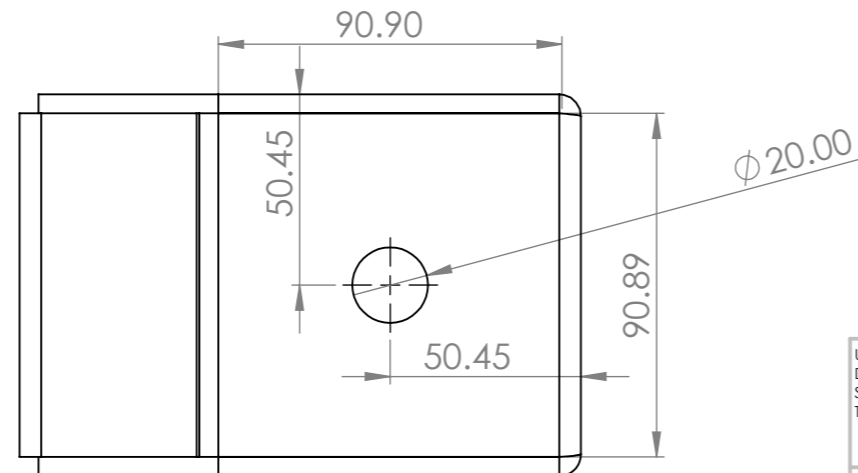
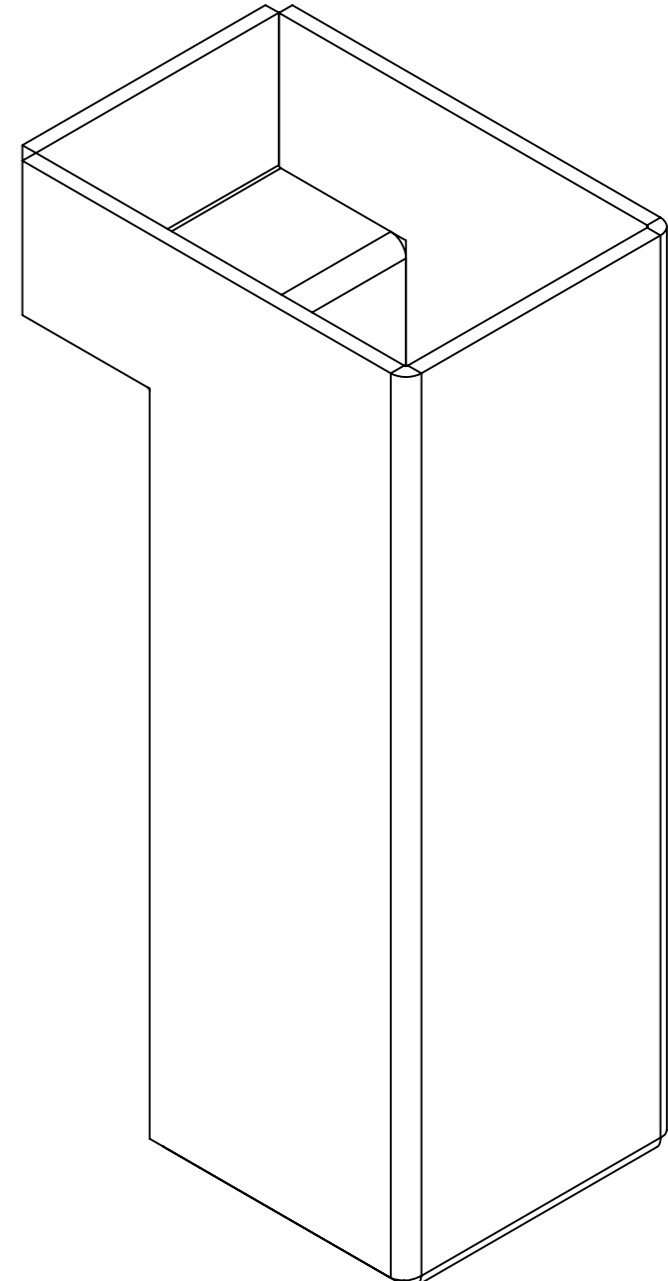
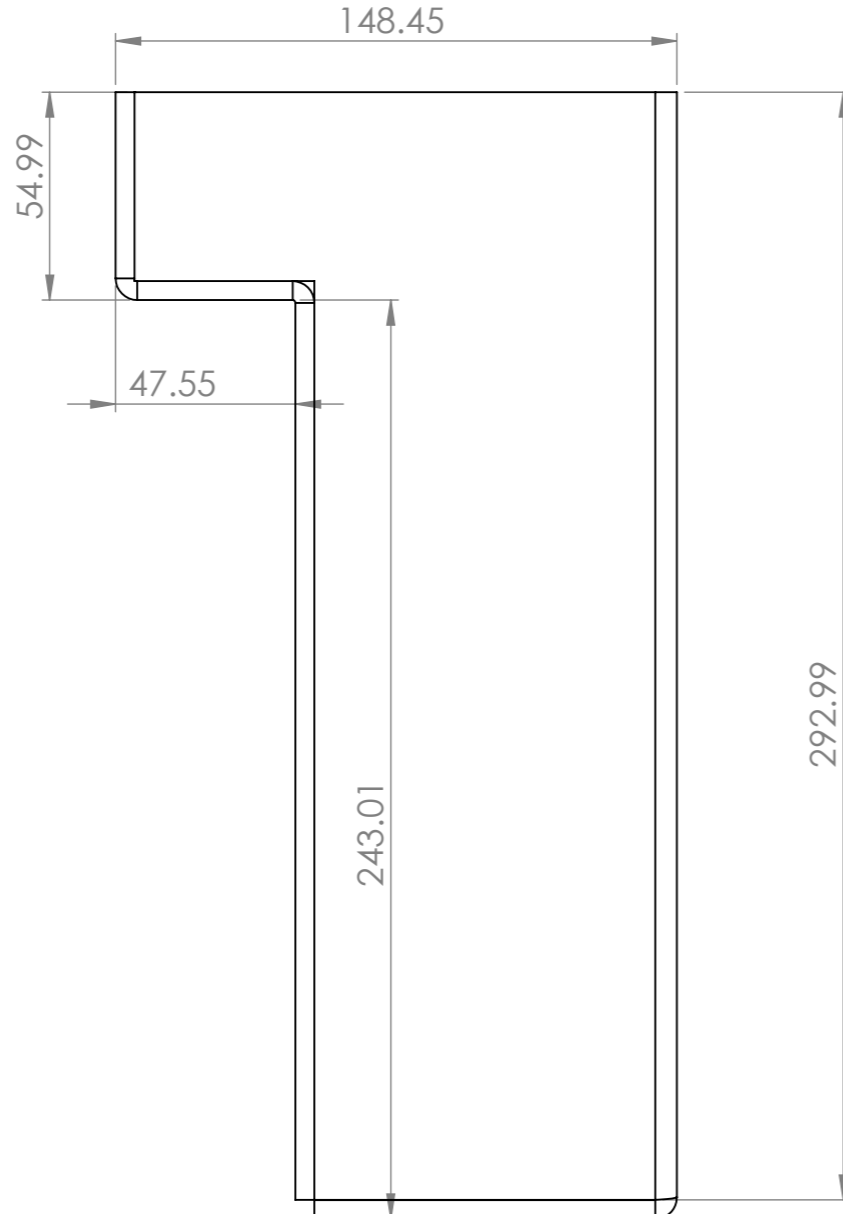
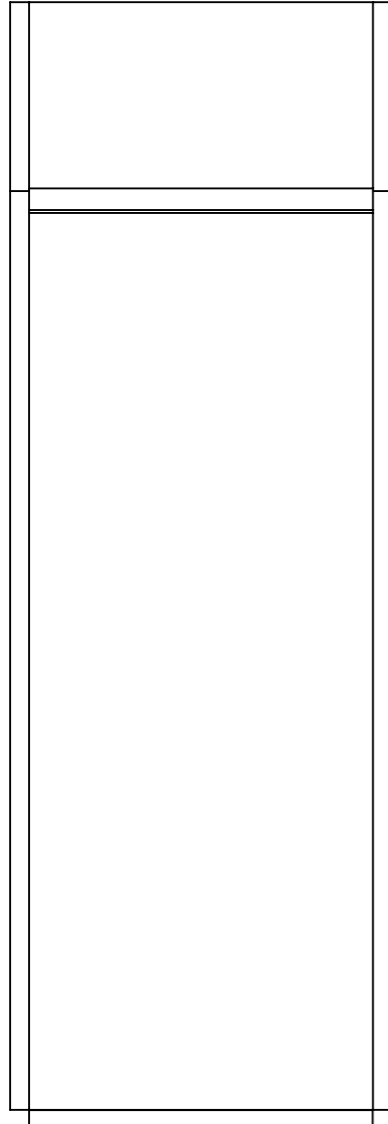
UNLESS OTHERWISE SPECIFIED: DIMENSIONS ARE IN MILLIMETERS SURFACE FINISH: TOLERANCES: LINEAR: ANGULAR:			FINISH:		DEBURR AND BREAK SHARP EDGES		DO NOT SCALE DRAWING		REVISION				
							TITLE: 88.9mm Flip Lid						
							MATERIAL: Polished Stainless Steel				DWG NO. 88.9 socket Asy		A3
							WEIGHT: 6630.04		SCALE: 1:5		SHEET 4 OF 6		
DRAWN	NAME	SIGNATURE	DATE										
CHK'D													
APPV'D													
MFG													
Q.A													


8 7 6 5 4 3 2 1

8 7 6 5 4 3 2 1

F
E
D
C
B
A

F
E
D
C
B
A



UNLESS OTHERWISE SPECIFIED: DIMENSIONS ARE IN MILLIMETERS				FINISH:		DEBURR AND BREAK SHARP EDGES		DO NOT SCALE DRAWING		REVISION			
SURFACE FINISH:													
TOLERANCES:													
LINEAR:								TITLE: 88.9mm Bollard Socket					
ANGULAR:								DWG NO. 88.9 socket Asy					
DRAWN				NAME		SIGNATURE		DATE		MATERIAL: 2B Stainless Steel		SCALE: 1:5	
CHK'D										WEIGHT: 6630.04		SHEET 5 OF 6	
APPV'D												A3	
MFG													
Q.A													

8 7 6 5 4 3 2 1

A

A

8 7 6 5 4 3 2 1

F

F

E

E

D

D

C

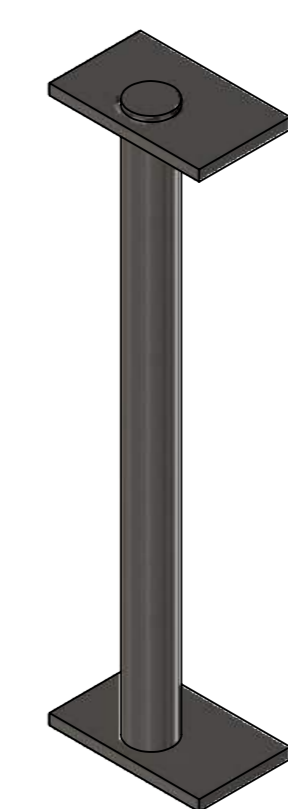
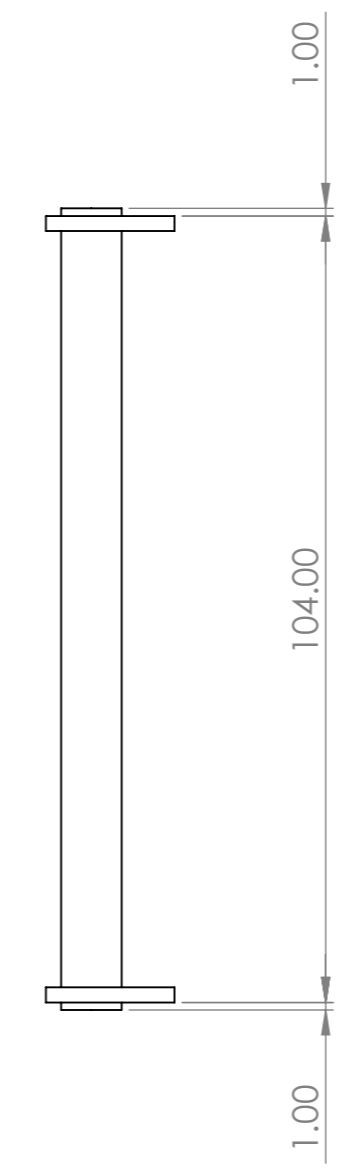
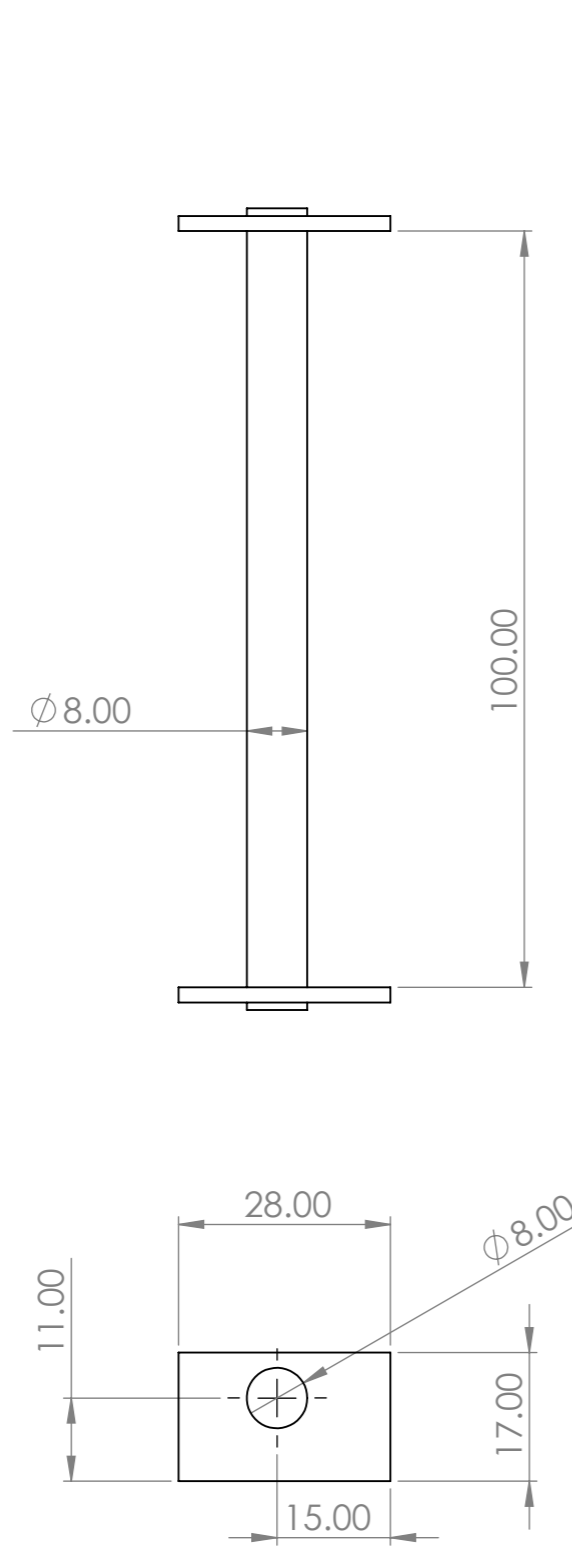
C

B

B

A

A



UNLESS OTHERWISE SPECIFIED: DIMENSIONS ARE IN MILLIMETERS SURFACE FINISH: TOLERANCES: LINEAR: ANGULAR:			FINISH:		DEBURR AND BREAK SHARP EDGES		DO NOT SCALE DRAWING		REVISION			
							TITLE: 88.9mm Hinge					
							DWG NO. 88.9 socket Asy				A3	
							MATERIAL: 2B Stainless Steel		SCALE:1:5		SHEET 6 OF 6	
							WEIGHT: 6630.04					
DRAWN		NAME		SIGNATURE		DATE						
CHK'D												
APPV'D												
MFG												
Q.A												

8 7 6 5 4 3 2 1