

8 7 6 5 4 3 2 1

F

F

E

E

D

D

C

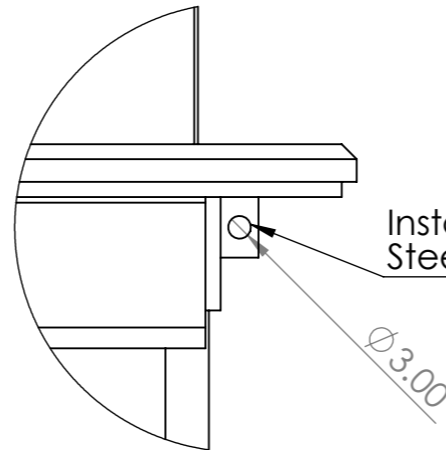
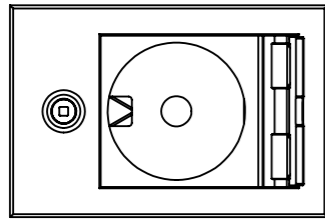
C

B

B

A

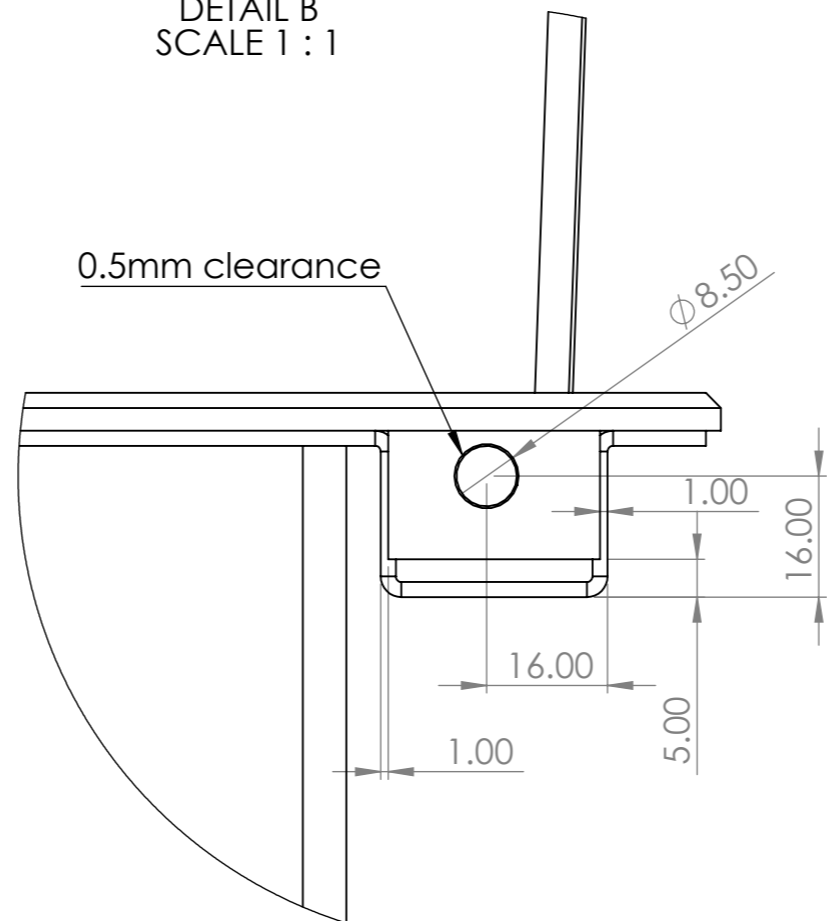
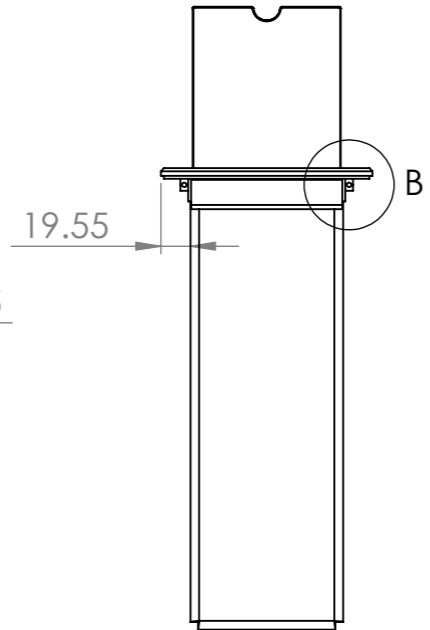
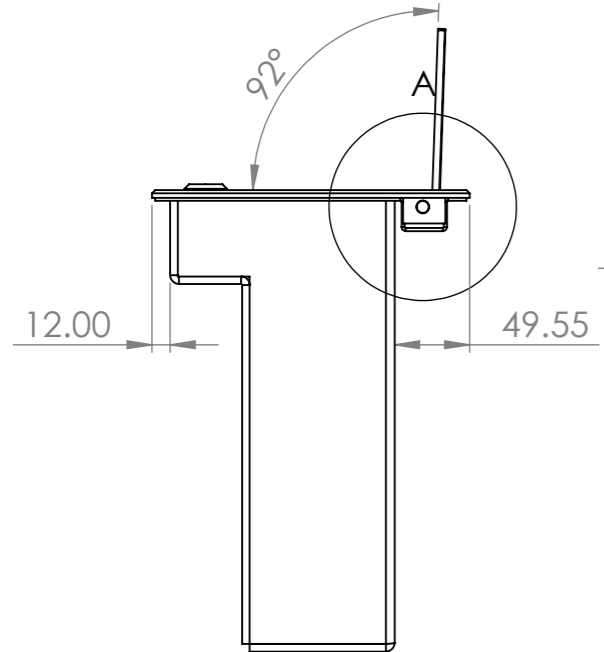
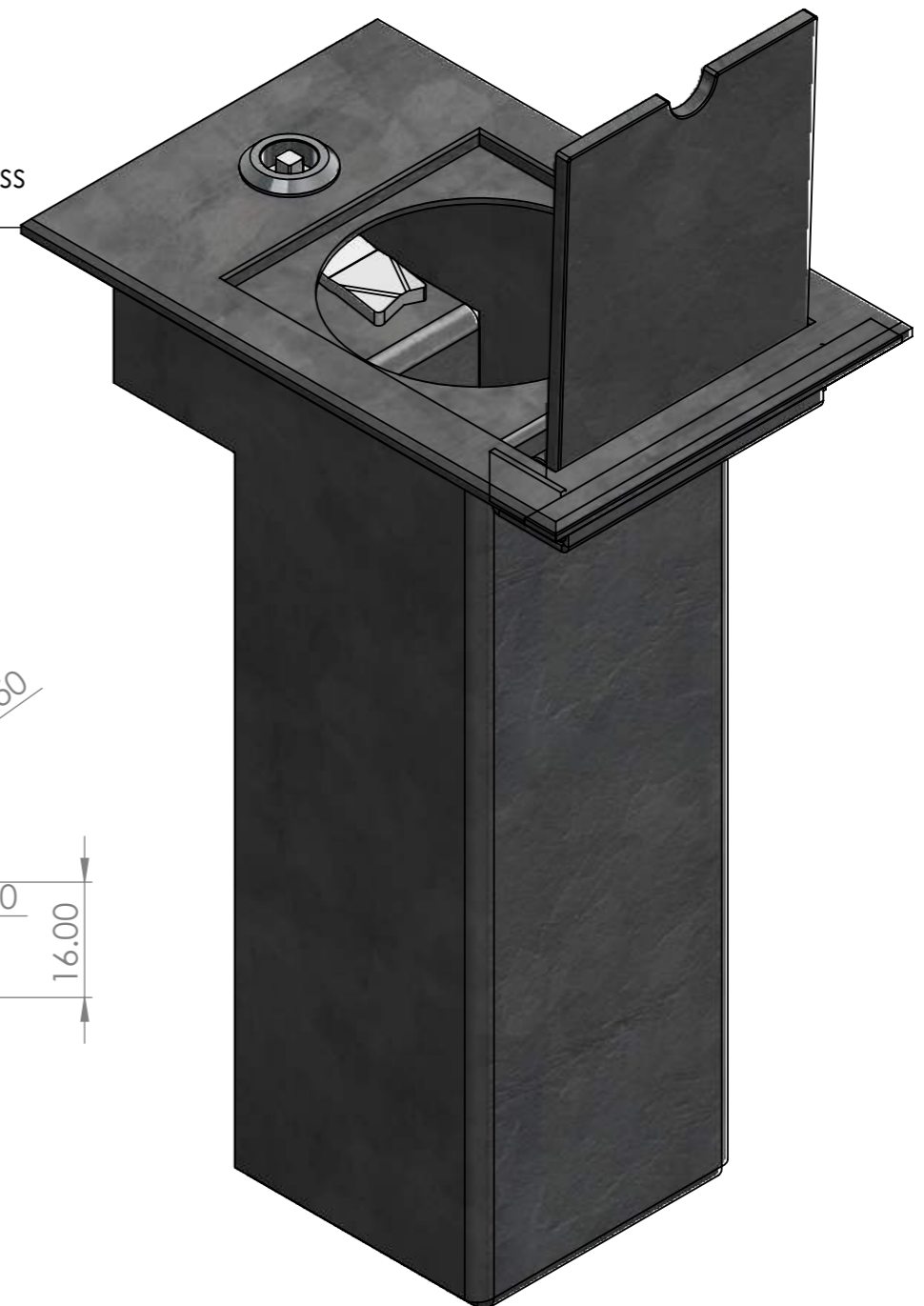
A



DETAIL B
SCALE 1 : 1

Install 2noStainless
Steel Spit Pins

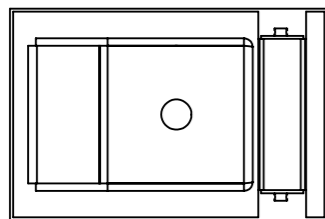
$\phi 3.00$




DETAIL A
SCALE 1 : 1

0.5mm clearance

$\phi 8.50$



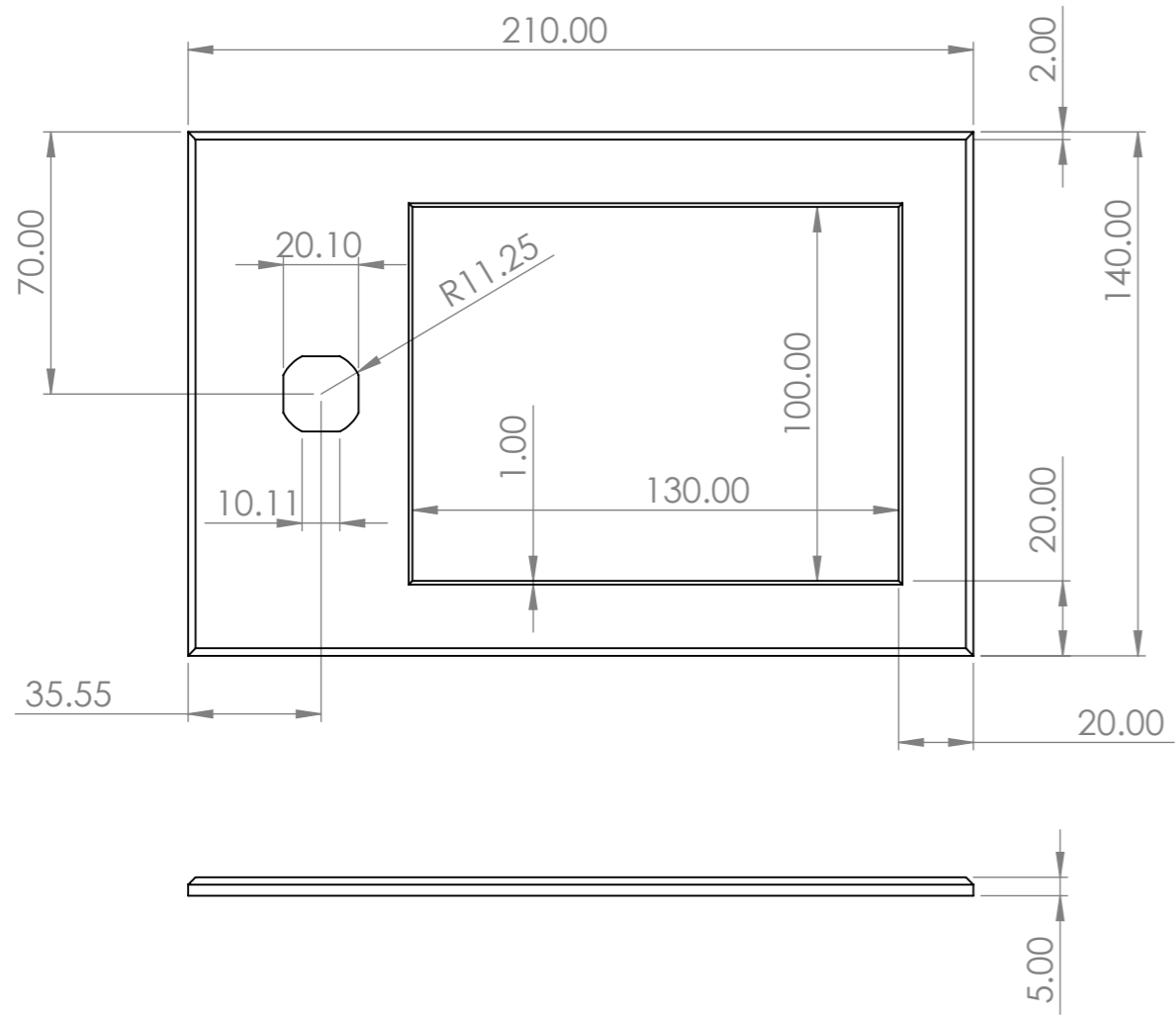
UNLESS OTHERWISE SPECIFIED: DIMENSIONS ARE IN MILLIMETERS			FINISH:		DEBURR AND BREAK SHARP EDGES		DO NOT SCALE DRAWING		REVISION	
SURFACE FINISH:										
TOLERANCES:									TITLE:	
LINEAR:									88.9mm Galv Bollard Socket	
ANGULAR:									DWG NO.	
									88.9 Galv Socket Assembly	
DRAWN			NAME		SIGNATURE		DATE		A3	
CHK'D										
APPV'D										
MFG										
Q.A										
							MATERIAL:			
							Galvanized Steel			
							WEIGHT: 6524.58		SCALE: 1:5	
									SHEET 1 OF 6	


8 7 6 5 4 3 2 1

8 7 6 5 4 3 2 1

F
E
D
C
B
A

F
E
D
C
B
A



UNLESS OTHERWISE SPECIFIED: DIMENSIONS ARE IN MILLIMETERS SURFACE FINISH: TOLERANCES: LINEAR: ANGULAR:				FINISH:		DEBURR AND BREAK SHARP EDGES		DO NOT SCALE DRAWING		REVISION	
											
								TITLE: 88.9mm Galv Ground Plate			
								DWG NO. 88.9 Galv Socket Assembly		A3	
								MATERIAL: Galvanized Steel		SCALE: 1:2	
								WEIGHT: 6524.58		SHEET 2 OF 6	
DRAWN	NAME	SIGNATURE	DATE								
CHK'D											
APPV'D											
MFG											
Q.A											

8 7 6 5 4 3 2 1

8 7 6 5 4 3 2 1

F

F

E

E

D

D

C

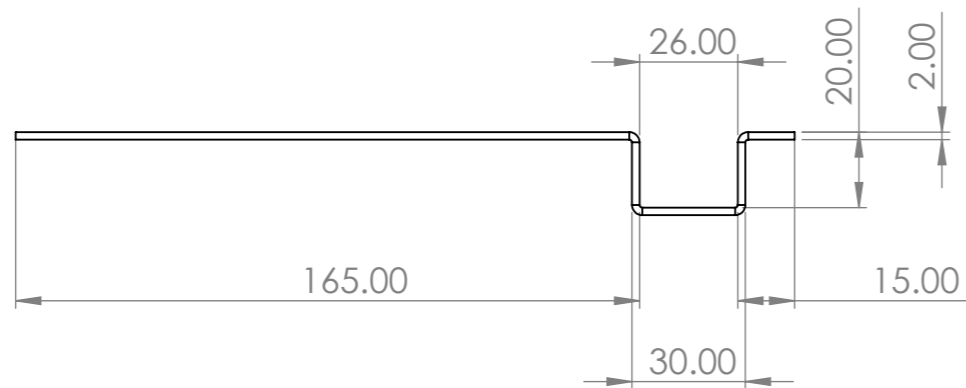
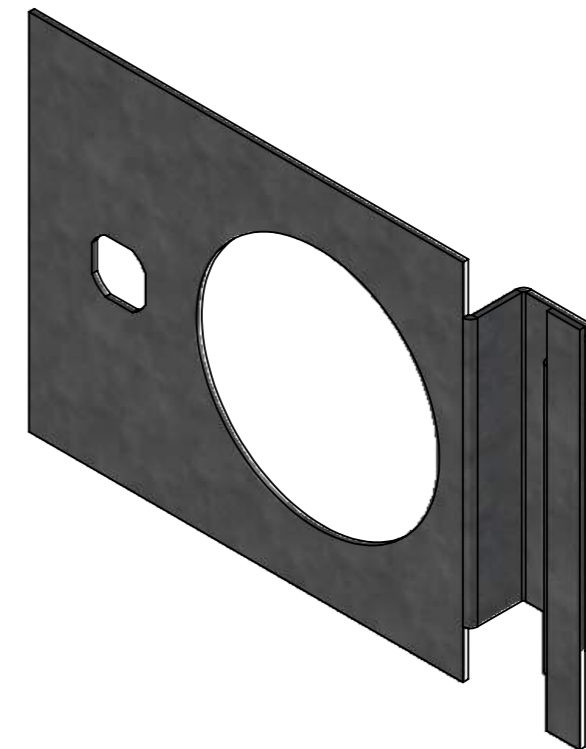
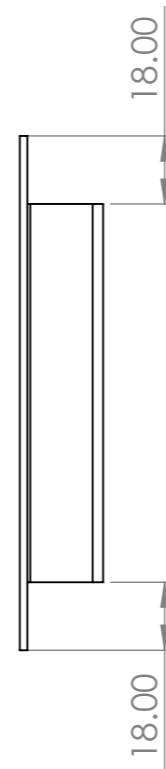
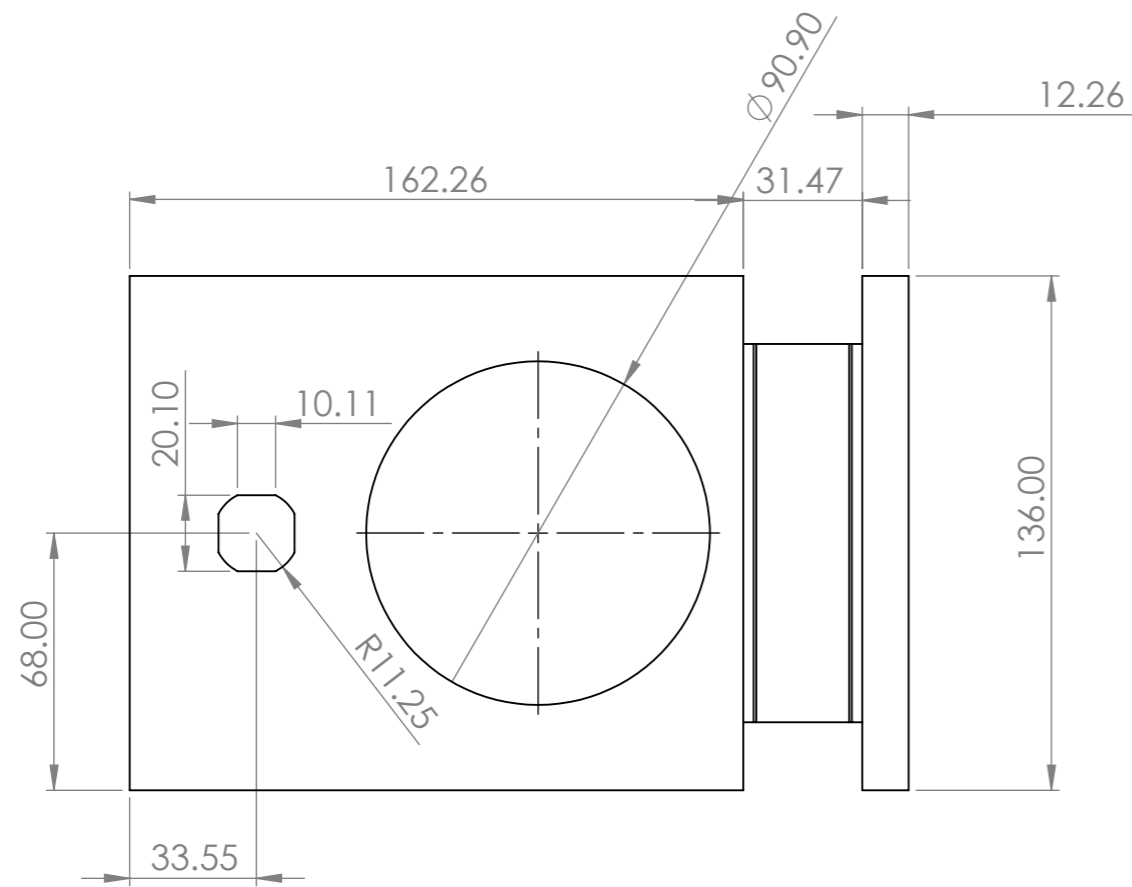
C

B

B

A

A



UNLESS OTHERWISE SPECIFIED: DIMENSIONS ARE IN MILLIMETERS SURFACE FINISH: TOLERANCES: LINEAR: ANGULAR:			FINISH:		DEBURR AND BREAK SHARP EDGES		DO NOT SCALE DRAWING		REVISION				
							TITLE: 88.9mm Galv Guide Plate						
							MATERIAL: Galvanized Steel			DWG NO. 88.9 Galv Socket Assembly		A3	
							WEIGHT: 6524.58		SCALE:1:2		SHEET 3 OF 6		
DRAWN	NAME	SIGNATURE	DATE										
CHK'D													
APPV'D													
MFG													
Q.A													

8 7 6 5 4 3 2 1

8 7 6 5 4 3 2 1

F

F

E

E

D

D

C

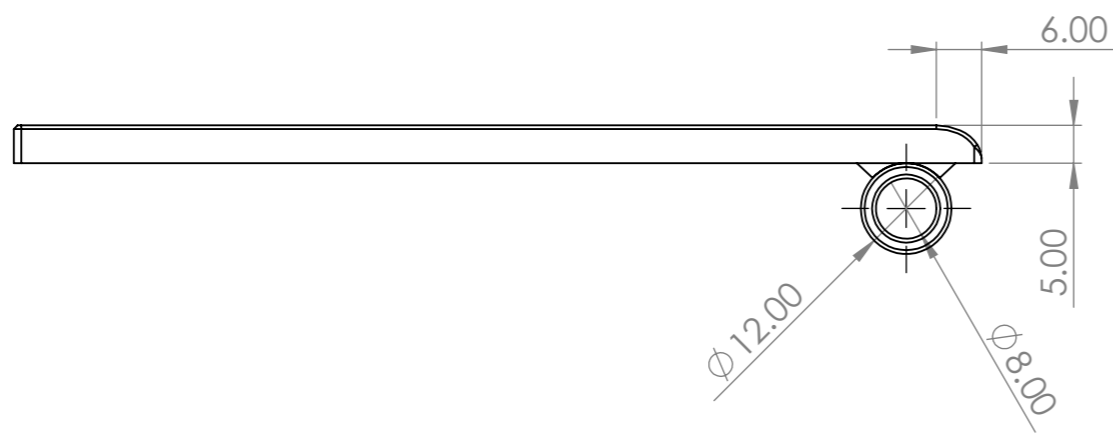
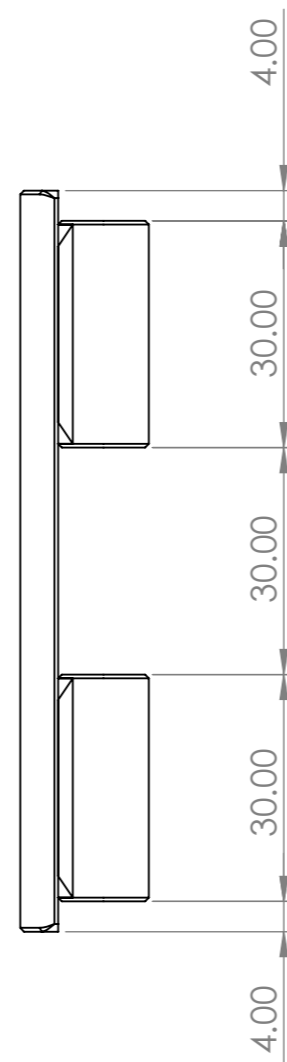
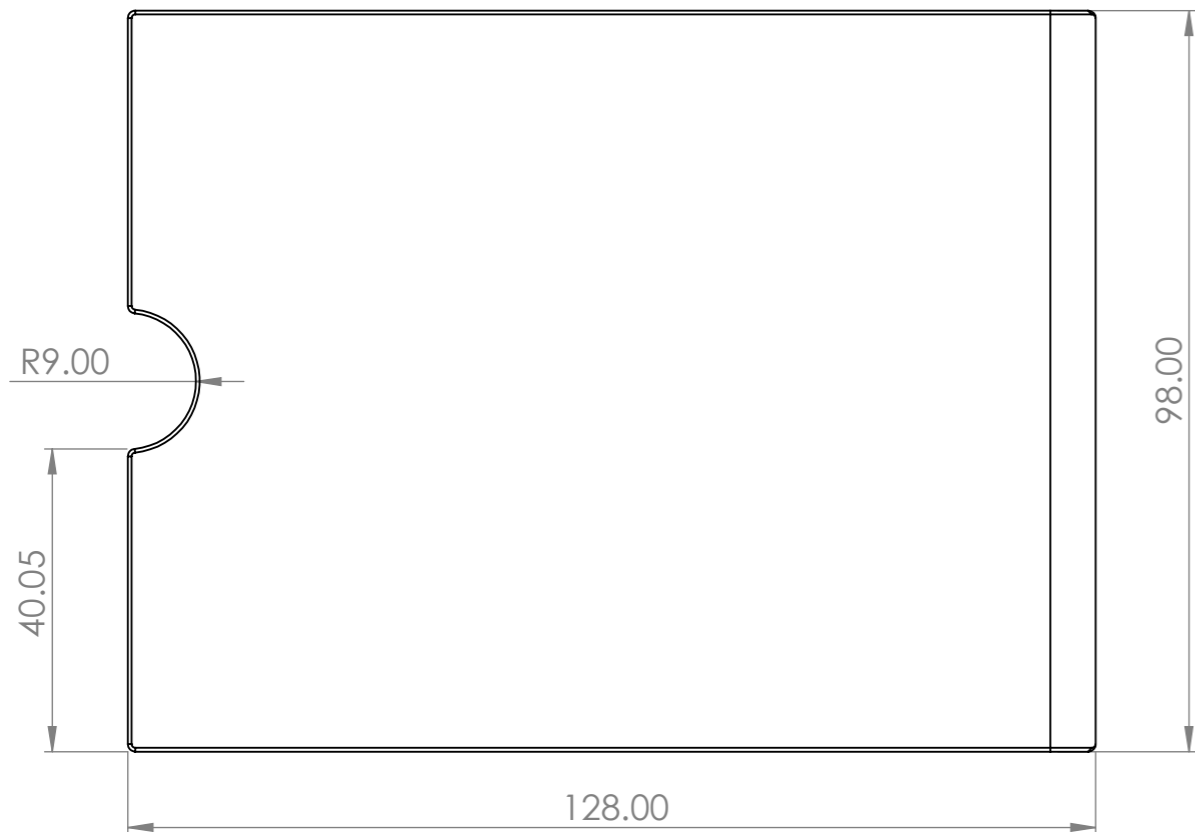
C


B

B

A

A



UNLESS OTHERWISE SPECIFIED: DIMENSIONS ARE IN MILLIMETERS SURFACE FINISH: TOLERANCES: LINEAR: ANGULAR:			FINISH:		DEBURR AND BREAK SHARP EDGES		DO NOT SCALE DRAWING		REVISION		
DRAWN							 TITLE: 88.9mm Galv Flip Lid				
CHK'D											
APPV'D											
MFG											
Q.A											
MATERIAL: Galvanized Steel							DWG NO. 88.9 Galv Socket Assembly		A3		
WEIGHT: 6524.58							SCALE:1:1		SHEET 4 OF 6		

8 7 6 5 4 3 2 1

8 7 6 5 4 3 2 1

F

F

E

E

D

D

C

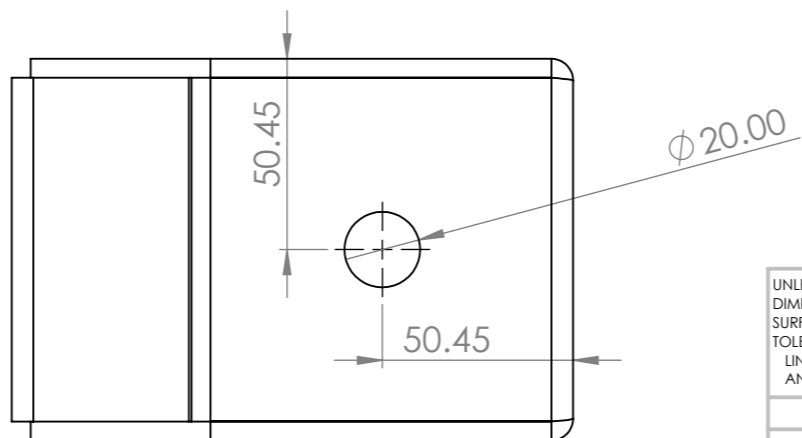
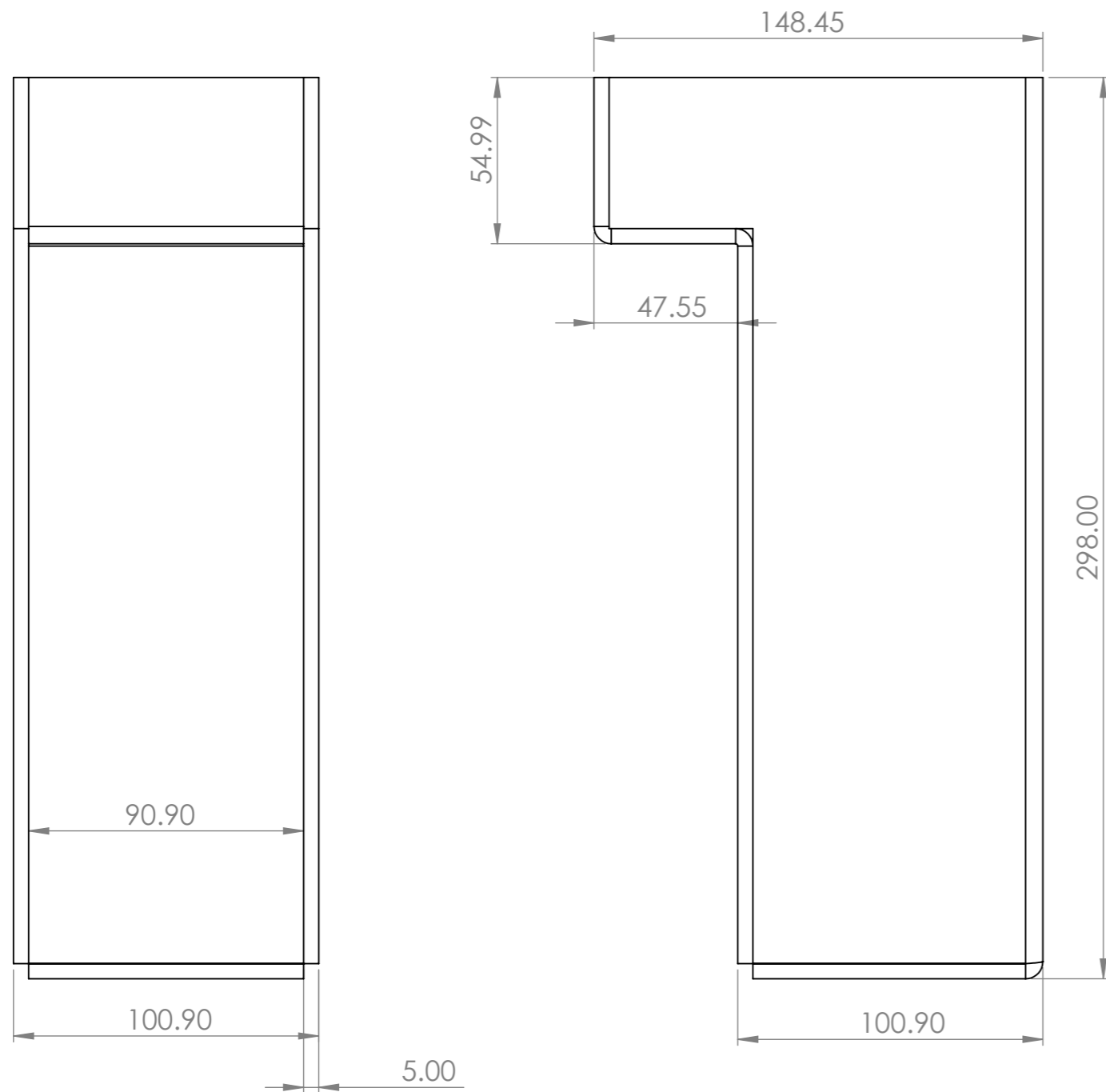
C


B

B

A

A



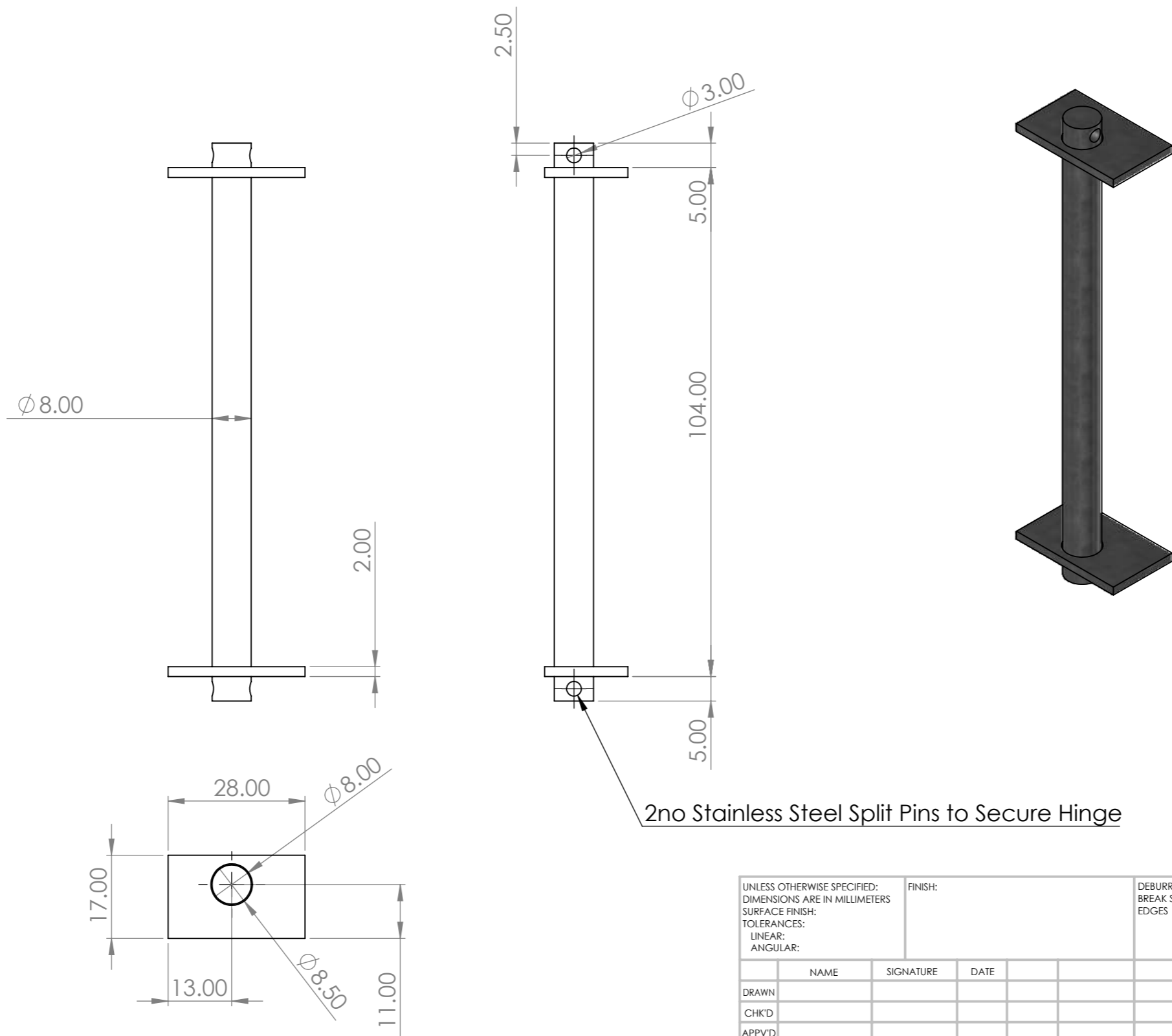
UNLESS OTHERWISE SPECIFIED: DIMENSIONS ARE IN MILLIMETERS			FINISH:		DEBURR AND BREAK SHARP EDGES		DO NOT SCALE DRAWING		REVISION	
SURFACE FINISH:										
TOLERANCES:									TITLE:	
LINEAR:							88.9mm Galv			
ANGULAR:							Bollard Socket			
DRAWN			NAME		SIGNATURE		DATE		DWG NO.	
CHK'D									88.9 Galv Socket Assembly	
APPV'D									A3	
MFG									SCALE:1:5	
Q.A							MATERIAL:		SHEET 5 OF 6	
							Galvanized Steel			
							WEIGHT: 6524.58			

8 7 6 5 4 3 2 1

8 7 6 5 4 3 2 1

F
E
D
C
B
A

F
E
D
C
B
A



UNLESS OTHERWISE SPECIFIED: DIMENSIONS ARE IN MILLIMETERS SURFACE FINISH: TOLERANCES: LINEAR: ANGULAR:			FINISH:		DEBURR AND BREAK SHARP EDGES		DO NOT SCALE DRAWING		REVISION			
							TITLE: 88.9mm Galvanized Hinge					
							DWG NO. 88.9 Galv Socket Assembly				A3	
							MATERIAL: Galvanized Steel				SCALE: 1:1	
							WEIGHT: 6524.58				SHEET 6 OF 6	
DRAWN		NAME		SIGNATURE		DATE						
CHK'D												
APPV'D												
MFG												
Q.A												

8 7 6 5 4 3 2 1

A

A