

8 7 6 5 4 3 2 1

F

F

E

E

D

D

C

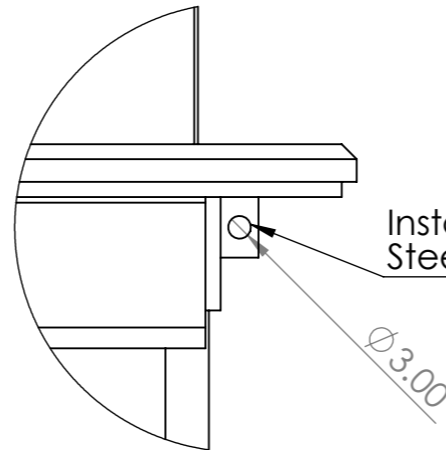
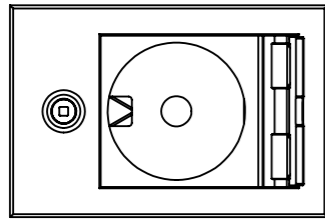
C

B

B

A

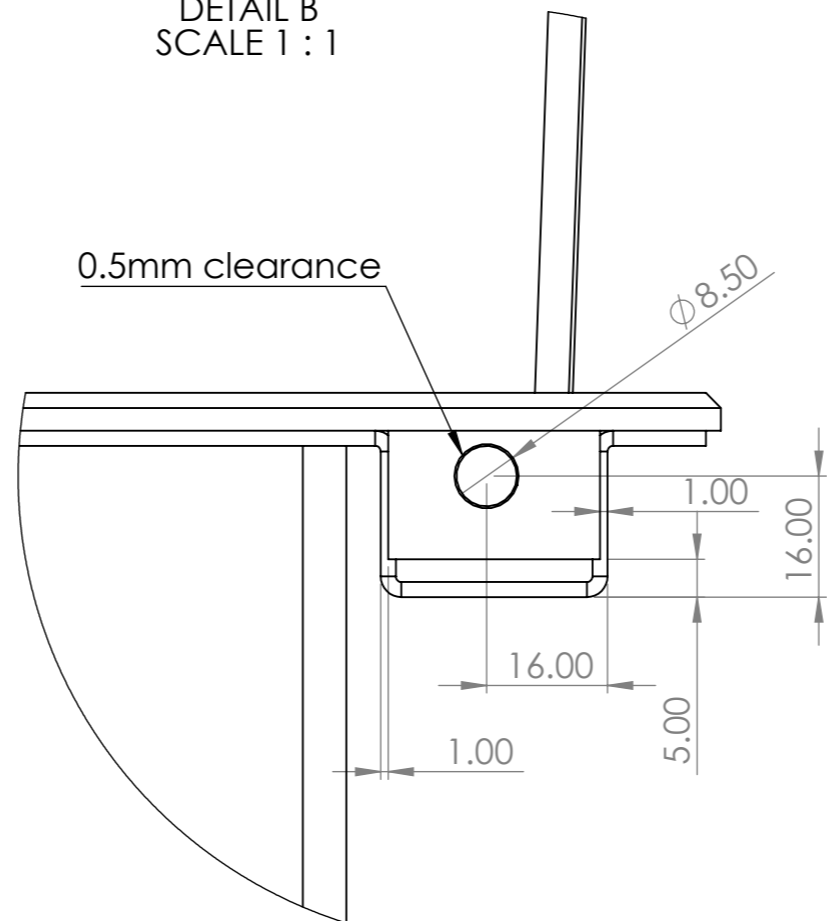
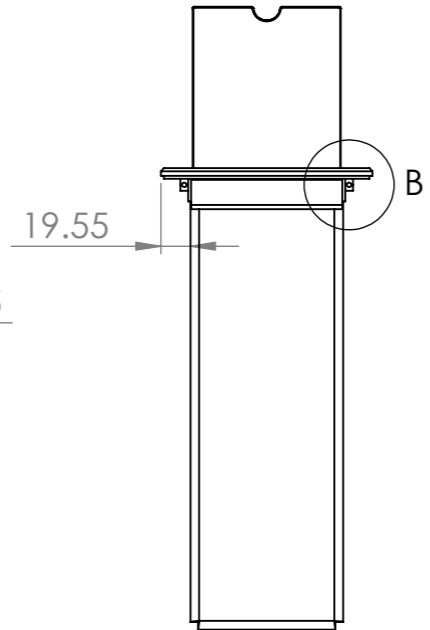
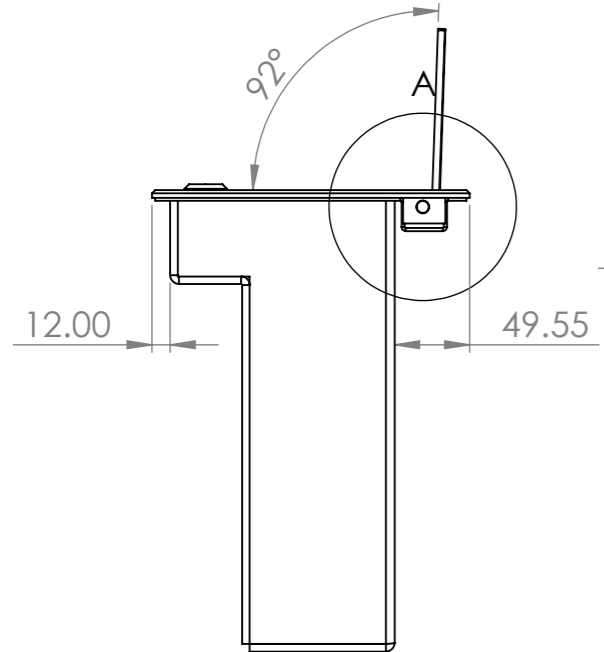
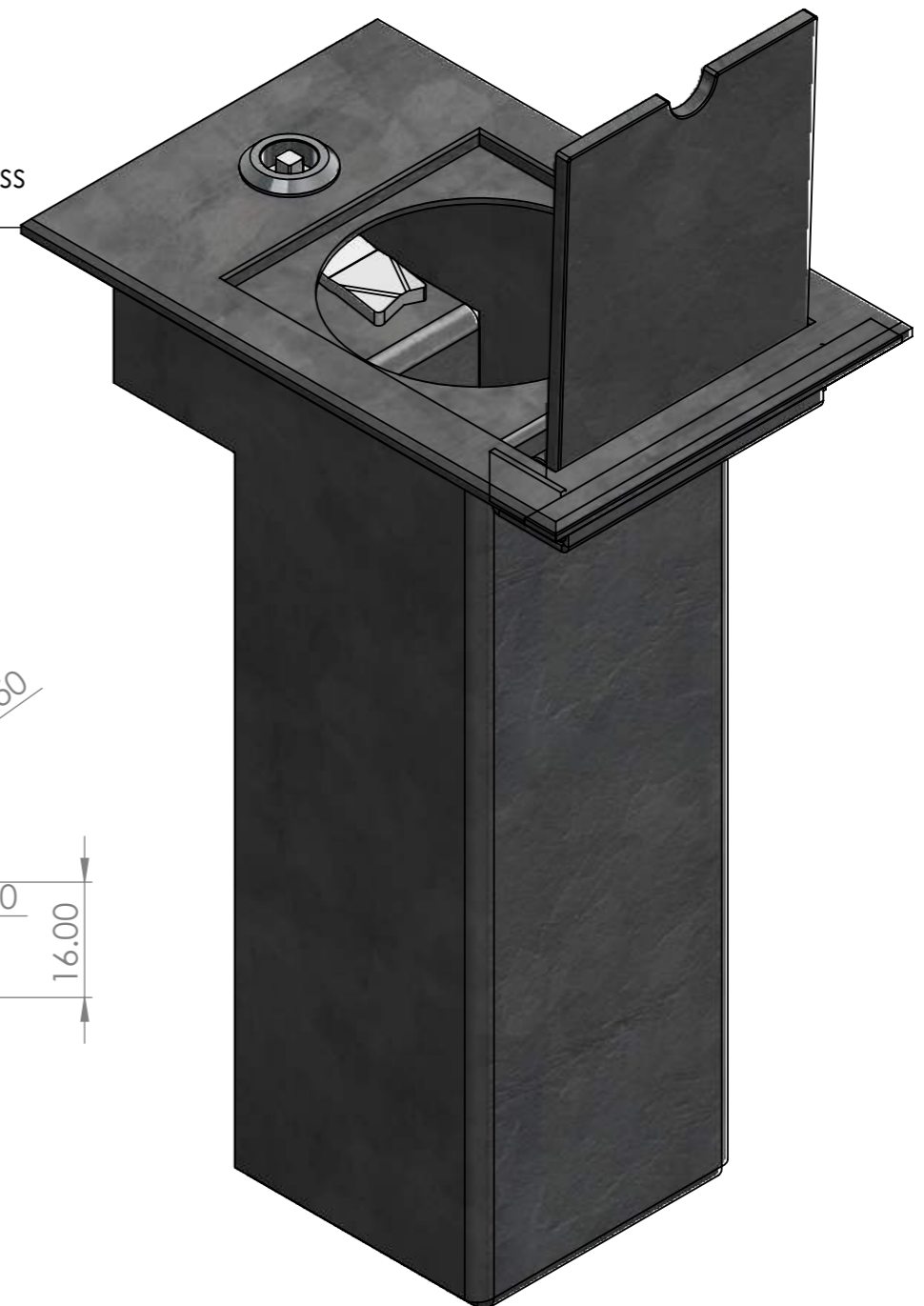
A



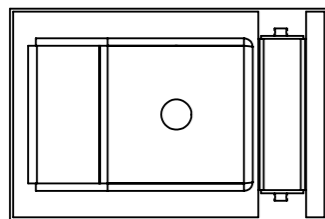
DETAIL B
SCALE 1 : 1


Install 2noStainless
Steel Spit Pins

$\phi 3.00$



DETAIL A
SCALE 1 : 1



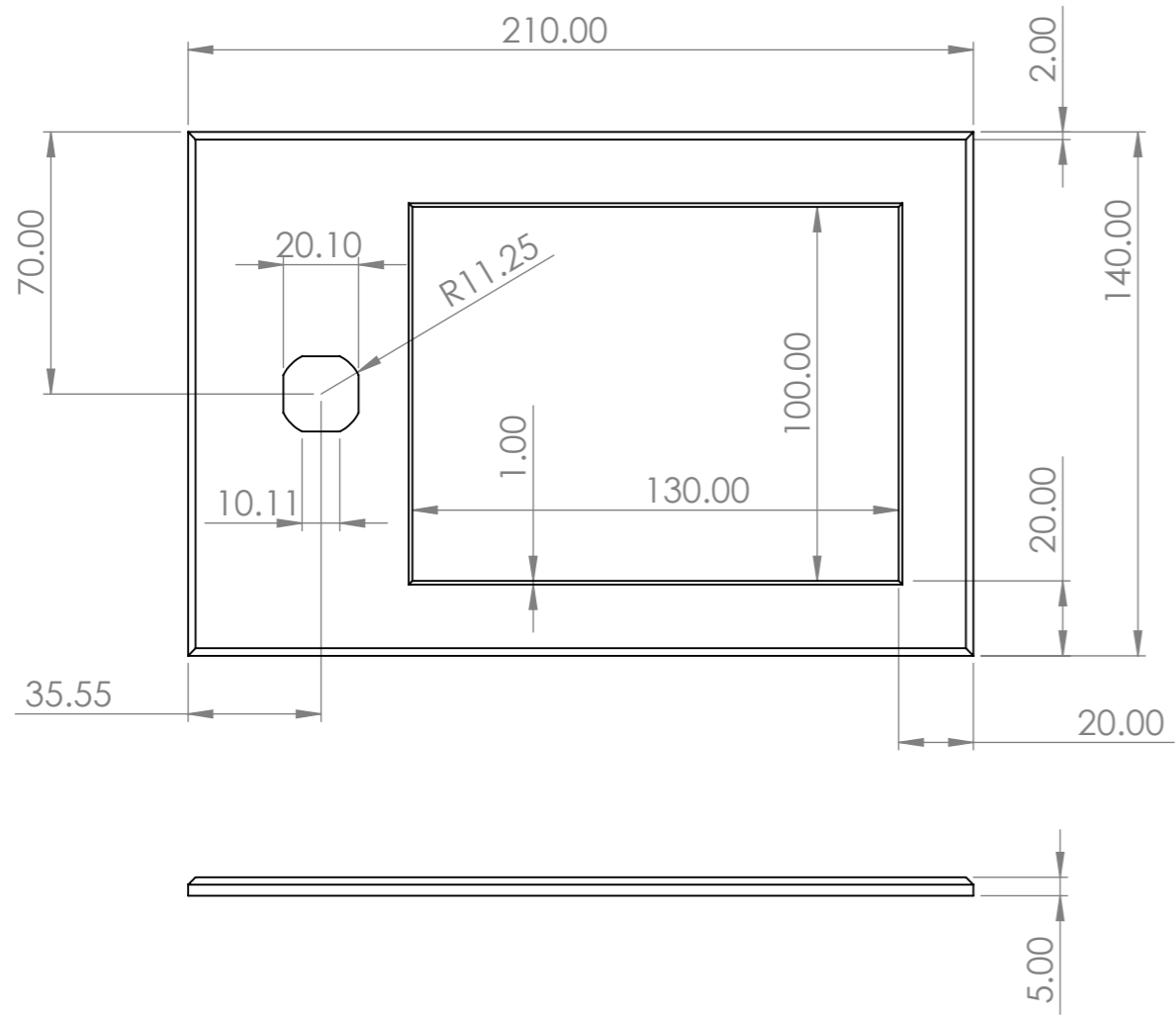
UNLESS OTHERWISE SPECIFIED: DIMENSIONS ARE IN MILLIMETERS			FINISH:		DEBURR AND BREAK SHARP EDGES		DO NOT SCALE DRAWING		REVISION	
SURFACE FINISH:										
TOLERANCES:									TITLE:	
LINEAR:									88.9mm Galv Bollard Socket	
ANGULAR:									DWG NO.	
									88.9 Galv Socket Assembly	
DRAWN			NAME		SIGNATURE		DATE		A3	
CHK'D										
APPV'D										
MFG										
Q.A										
							MATERIAL:			
							Galvanized Steel			
							WEIGHT: 6524.58		SCALE: 1:5	
									SHEET 1 OF 6	

8 7 6 5 4 3 2 1

8 7 6 5 4 3 2 1

F
E
D
C
B
A

F
E
D
C
B
A



UNLESS OTHERWISE SPECIFIED: DIMENSIONS ARE IN MILLIMETERS SURFACE FINISH: TOLERANCES: LINEAR: ANGULAR:			FINISH:		DEBURR AND BREAK SHARP EDGES		DO NOT SCALE DRAWING		REVISION			
							TITLE: 88.9mm Galv Ground Plate					
							DWG NO. 88.9 Galv Socket Assembly				A3	
							MATERIAL: Galvanized Steel		SCALE: 1:2		SHEET 2 OF 6	
							WEIGHT: 6524.58					
NAME	SIGNATURE	DATE										
DRAWN												
CHK'D												
APPV'D												
MFG												
Q.A												

8 7 6 5 4 3 2 1

8 7 6 5 4 3 2 1

F

F

E

E

D

D

C

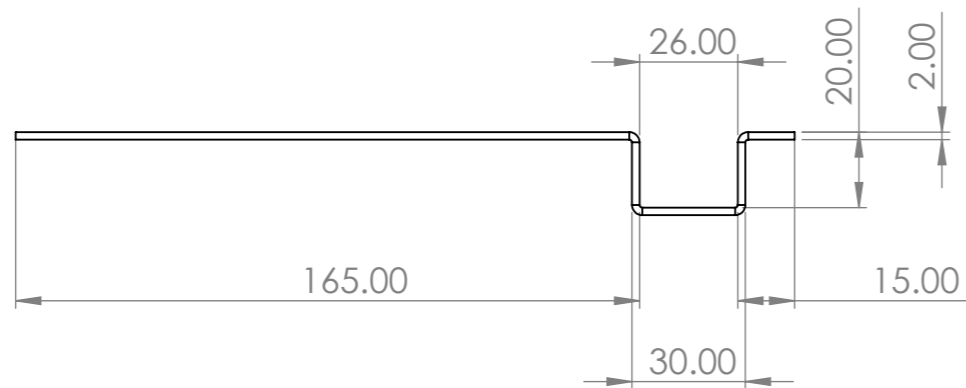
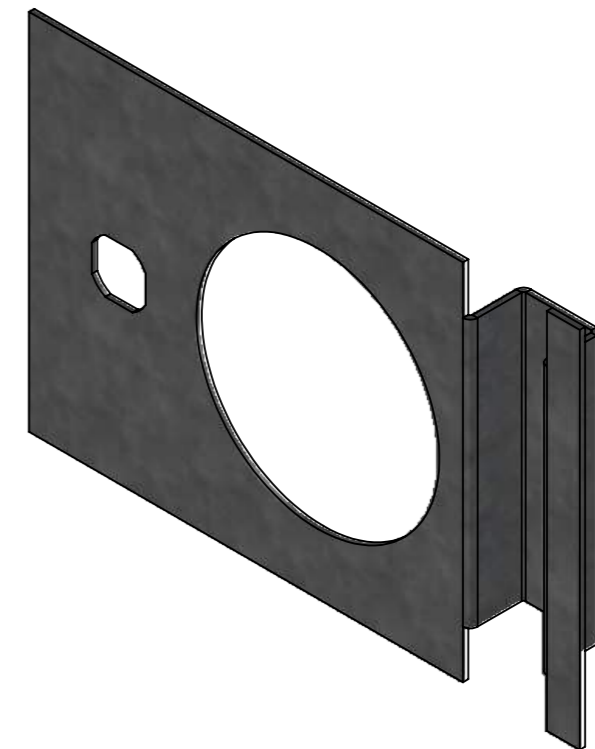
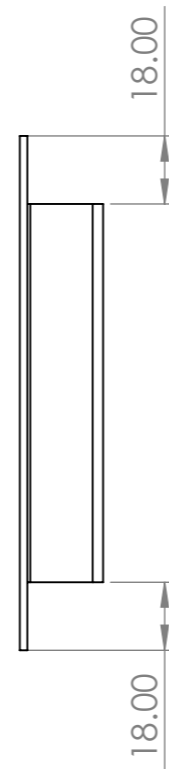
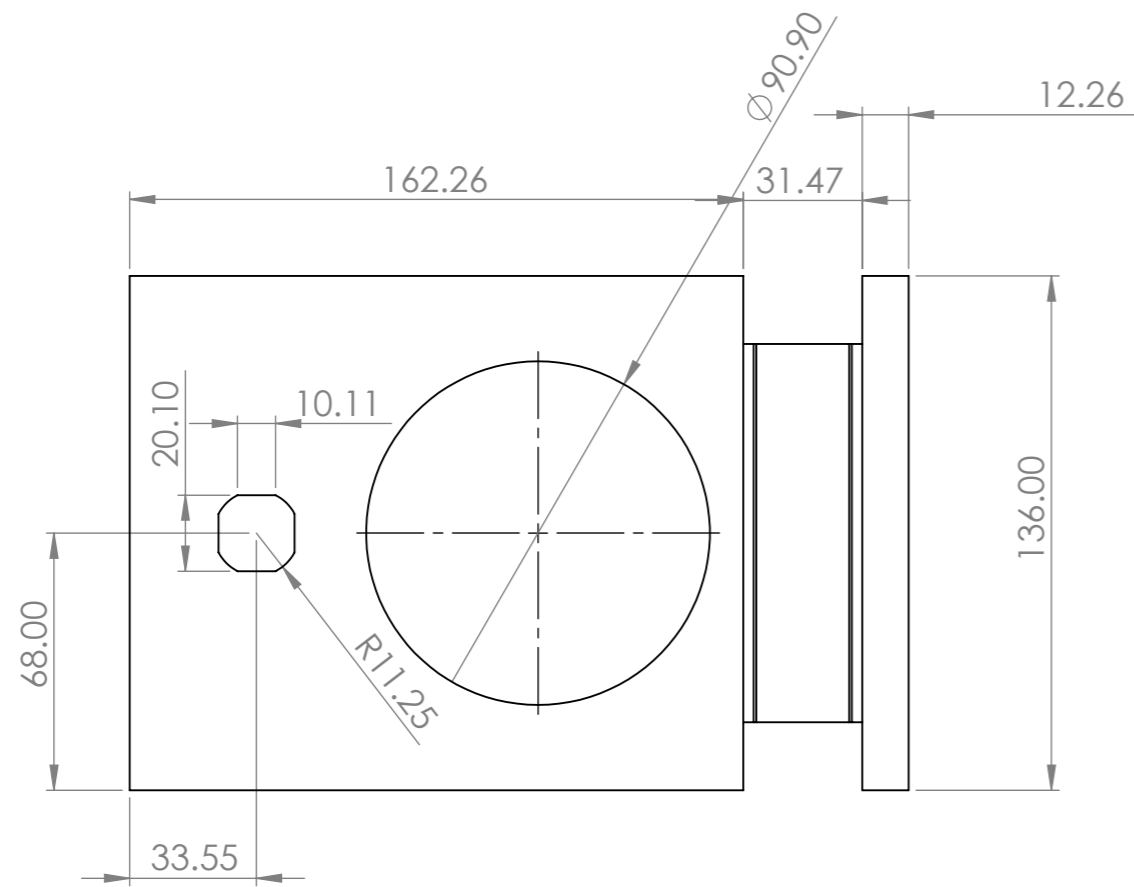
C


B

B

A

A



UNLESS OTHERWISE SPECIFIED: DIMENSIONS ARE IN MILLIMETERS SURFACE FINISH: TOLERANCES: LINEAR: ANGULAR:			FINISH:		DEBURR AND BREAK SHARP EDGES		DO NOT SCALE DRAWING		REVISION			
												
							TITLE: 88.9mm Galv Guide Plate					
							DWG NO. 88.9 Galv Socket Assembly				A3	
							MATERIAL: Galvanized Steel		SCALE:1:2		SHEET 3 OF 6	
							WEIGHT: 6524.58					
DRAWN		NAME		SIGNATURE		DATE						
CHK'D												
APPV'D												
MFG												
Q.A												

8 7 6 5 4 3 2 1

8 7 6 5 4 3 2 1

F

F

E

E

D

D

C

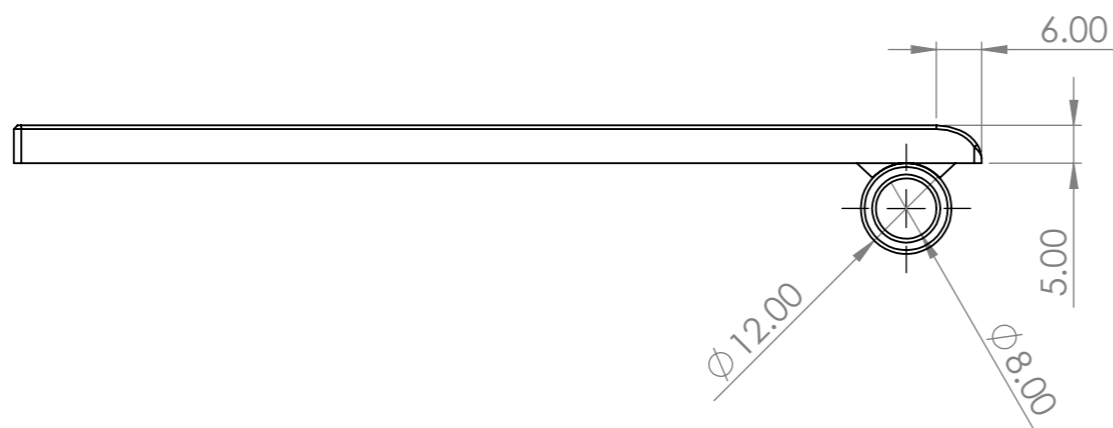
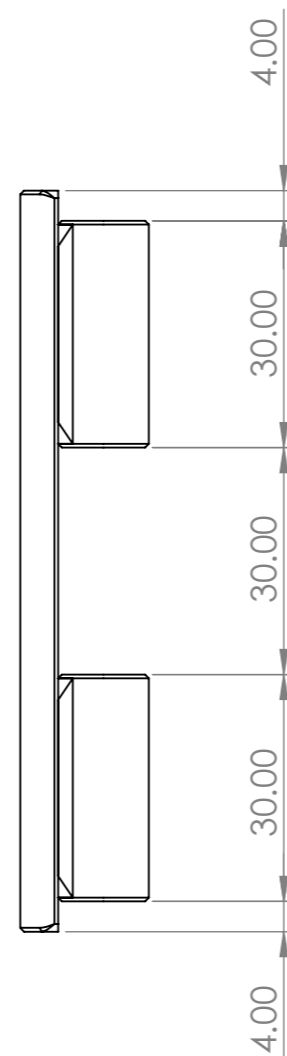
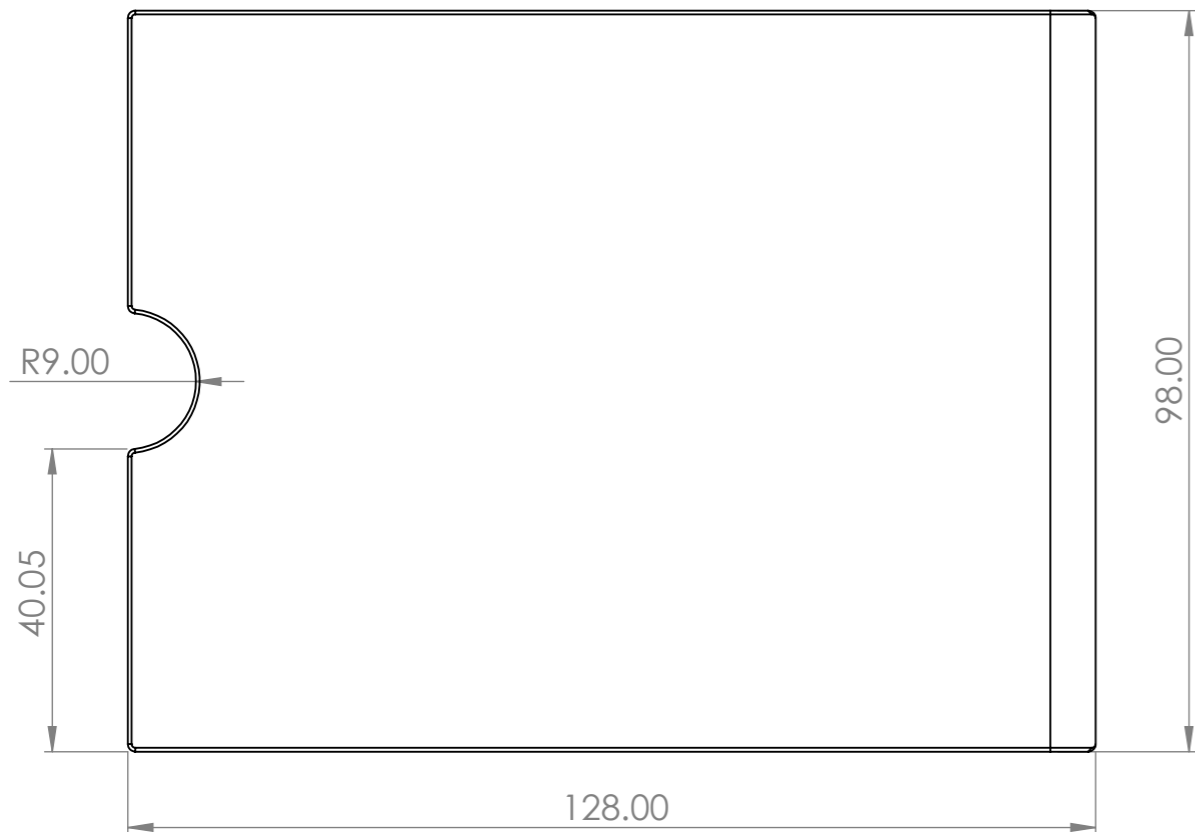
C


B

B

A

A



UNLESS OTHERWISE SPECIFIED: DIMENSIONS ARE IN MILLIMETERS SURFACE FINISH: TOLERANCES: LINEAR: ANGULAR:				FINISH:		DEBURR AND BREAK SHARP EDGES		DO NOT SCALE DRAWING		REVISION																																																	
<table border="1"> <thead> <tr> <th></th> <th>NAME</th> <th>SIGNATURE</th> <th>DATE</th> <th></th> <th></th> <th></th> <th></th> </tr> </thead> <tbody> <tr> <td>DRAWN</td> <td></td> <td></td> <td></td> <td></td> <td></td> <td></td> <td></td> </tr> <tr> <td>CHK'D</td> <td></td> <td></td> <td></td> <td></td> <td></td> <td></td> <td></td> </tr> <tr> <td>APPV'D</td> <td></td> <td></td> <td></td> <td></td> <td></td> <td></td> <td></td> </tr> <tr> <td>MFG</td> <td></td> <td></td> <td></td> <td></td> <td></td> <td></td> <td></td> </tr> <tr> <td>Q.A</td> <td></td> <td></td> <td></td> <td></td> <td></td> <td></td> <td></td> </tr> </tbody> </table>									NAME	SIGNATURE	DATE					DRAWN								CHK'D								APPV'D								MFG								Q.A										TITLE: 88.9mm Galv Flip Lid	
									NAME	SIGNATURE	DATE																																																
								DRAWN																																																			
								CHK'D																																																			
								APPV'D																																																			
MFG																																																											
Q.A																																																											
MATERIAL: Galvanized Steel						DWG NO. 88.9 Galv Socket Assembly		A3																																																			
WEIGHT: 6524.58						SCALE:1:1		SHEET 4 OF 6																																																			

8 7 6 5 4 3 2 1

8 7 6 5 4 3 2 1

F

F

E

E

D

D

C

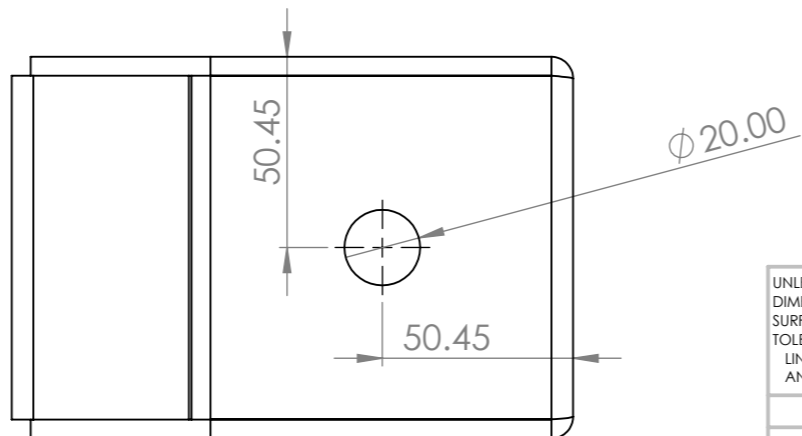
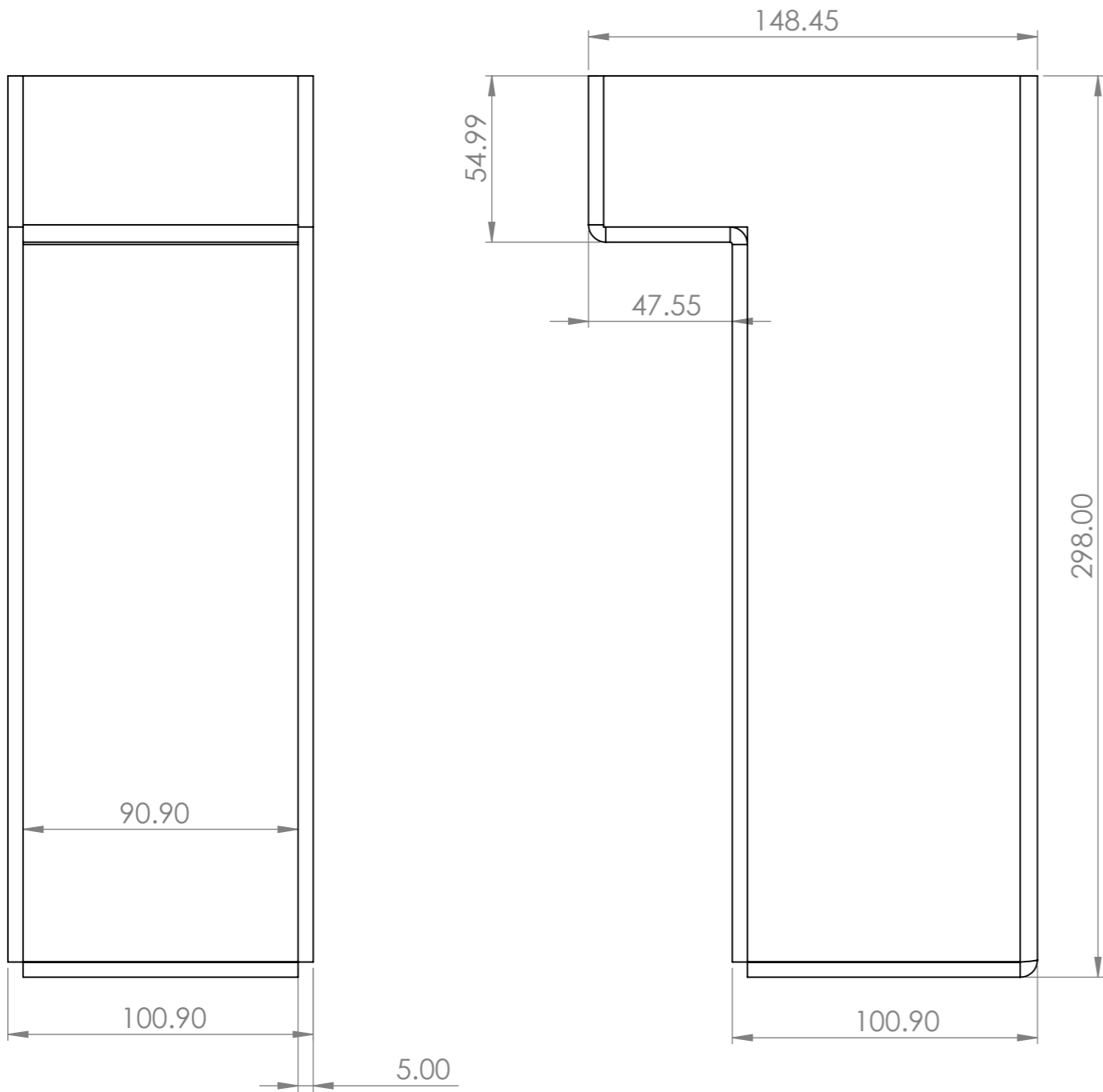
C


B

B

A

A



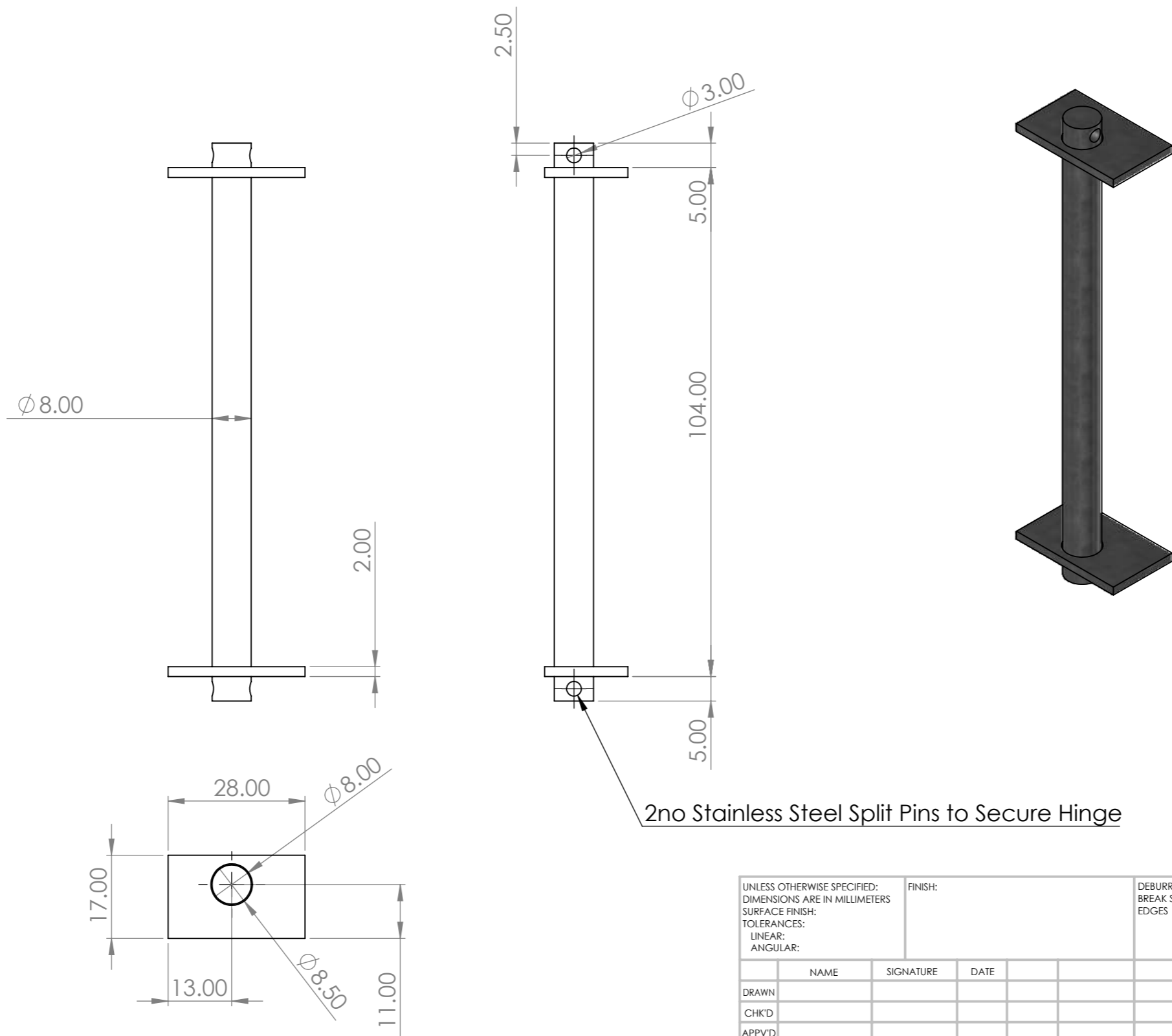
UNLESS OTHERWISE SPECIFIED: DIMENSIONS ARE IN MILLIMETERS				FINISH:		DEBURR AND BREAK SHARP EDGES		DO NOT SCALE DRAWING		REVISION	
SURFACE FINISH:											
TOLERANCES:											
LINEAR:								TITLE: 88.9mm Galv Bollard Socket			
ANGULAR:								DWG NO. 88.9 Galv Socket Assembly			
DRAWN				NAME		SIGNATURE		DATE		A3	
CHK'D											
APPV'D											
MFG								MATERIAL: Galvanized Steel		SCALE:1:5	
Q.A								WEIGHT: 6524.58		SHEET 5 OF 6	

8 7 6 5 4 3 2 1

8 7 6 5 4 3 2 1

F
E
D
C
B
A

F
E
D
C
B
A



UNLESS OTHERWISE SPECIFIED: DIMENSIONS ARE IN MILLIMETERS SURFACE FINISH: TOLERANCES: LINEAR: ANGULAR:			FINISH:		DEBURR AND BREAK SHARP EDGES		DO NOT SCALE DRAWING		REVISION			
							TITLE: 88.9mm Galvanized Hinge					
							DWG NO. 88.9 Galv Socket Assembly				A3	
							MATERIAL: Galvanized Steel		SCALE: 1:1		SHEET 6 OF 6	
							WEIGHT: 6524.58					
DRAWN		NAME		SIGNATURE		DATE						
CHK'D												
APPV'D												
MFG												
Q.A												

8 7 6 5 4 3 2 1

A

A