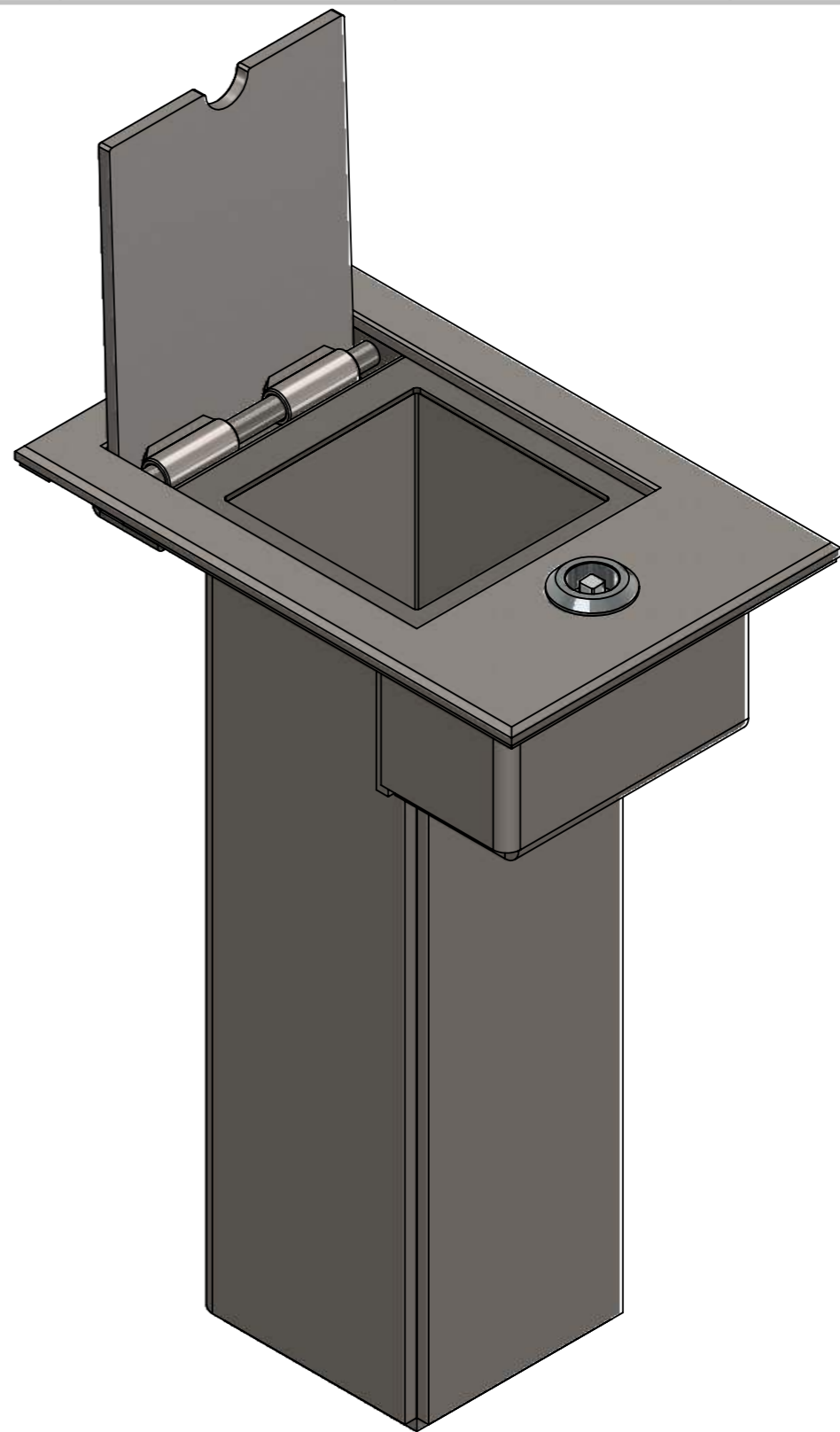
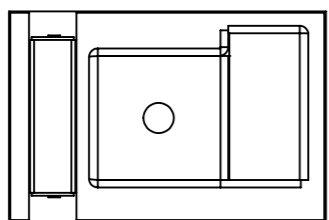
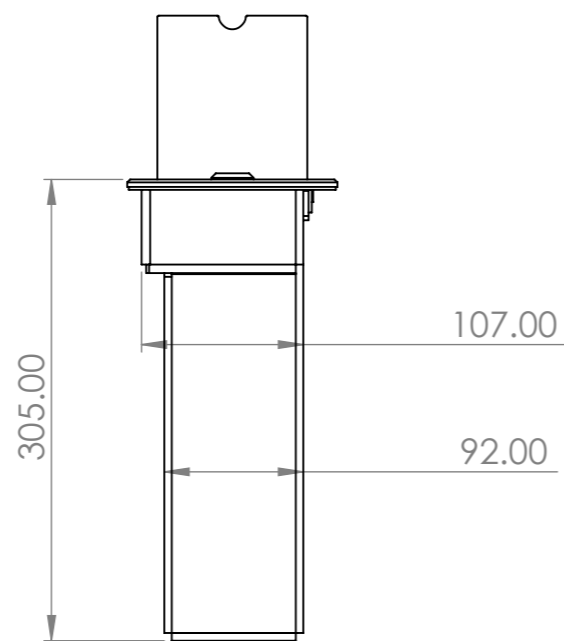
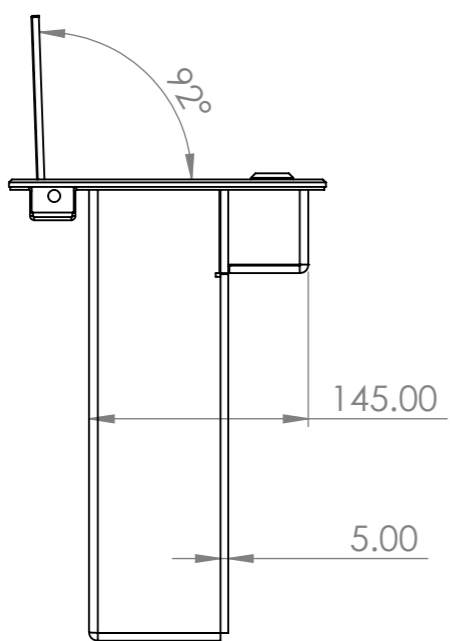
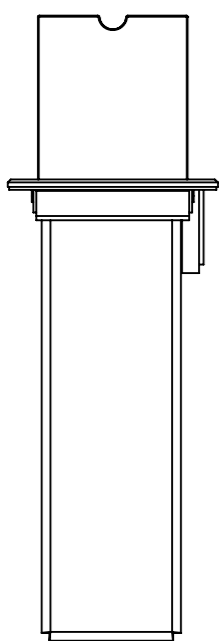
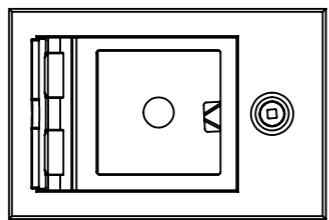


8 7 6 5 4 3 2 1

F  
E  
D  
C  
B  
A

F  
E  
D  
C  
B  
A



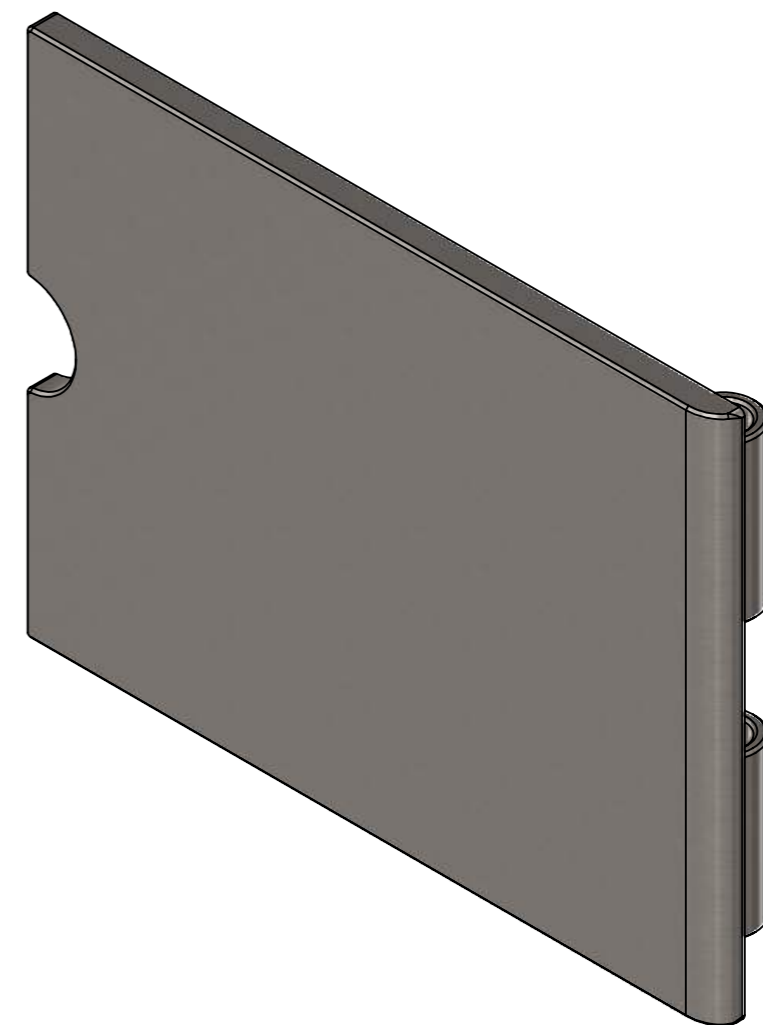
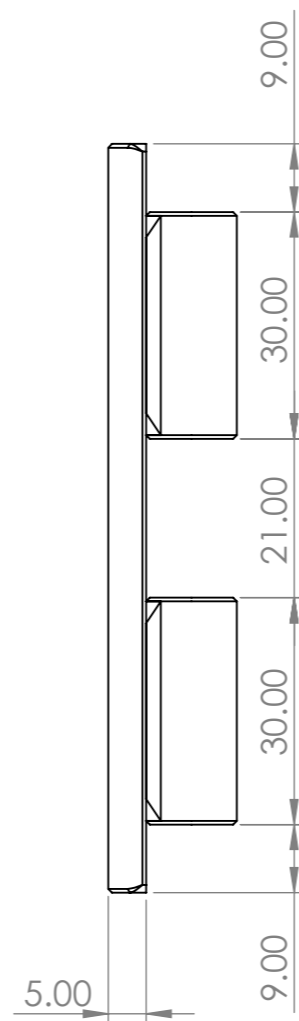
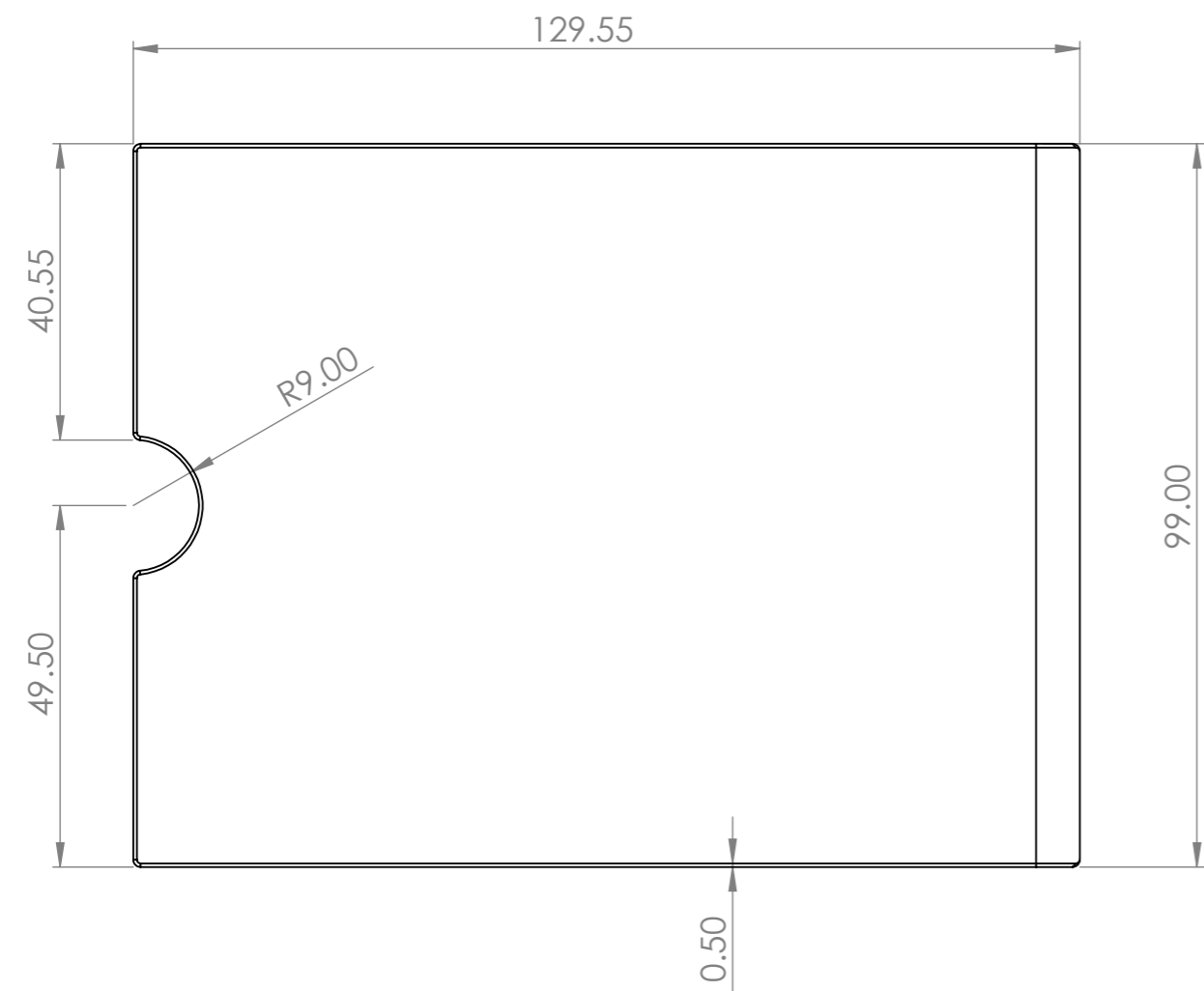
UNLESS OTHERWISE SPECIFIED: DIMENSIONS ARE IN MILLIMETERS SURFACE FINISH: TOLERANCES: LINEAR: ANGULAR:			FINISH:  2B Mill Finish		DEBURR AND BREAK SHARP EDGES		DO NOT SCALE DRAWING		REVISION		
							TITLE: <b>80 x 80 Socket Asy</b>				
DRAWN			NAME			SIGNATURE		DATE		DWG NO. 80 x 80 Stainless Steel Socket Asy	
CHK'D										A3	
APPV'D										SCALE:1:5	
MFG										SHEET 1 OF 6	
Q.A										WEIGHT: 6255.01	
										MATERIAL: 304L Stainless Steel	

8 7 6 5 4 3 2 1

8 7 6 5 4 3 2 1

F

F



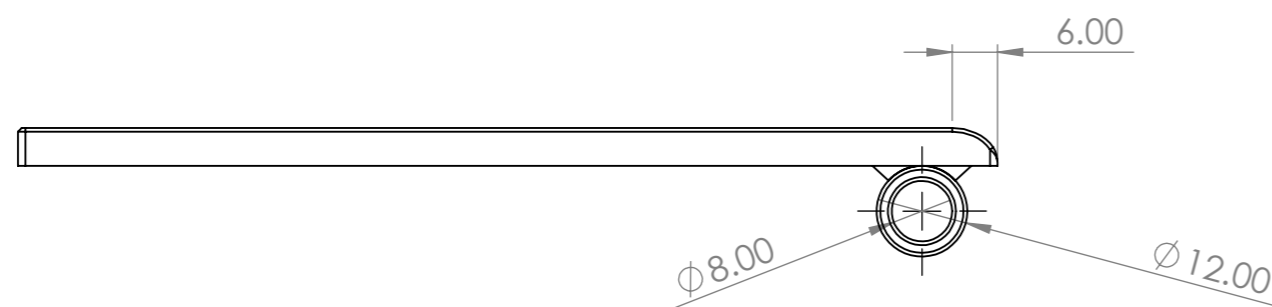
E

D

D

C

C



B

B

UNLESS OTHERWISE SPECIFIED: DIMENSIONS ARE IN MILLIMETERS SURFACE FINISH: TOLERANCES: LINEAR: ANGULAR:			FINISH:  Brushed Steel		DEBURR AND BREAK SHARP EDGES		DO NOT SCALE DRAWING		REVISION		
							TITLE: <b>80 x 80 Flip Lid</b>				
DRAWN			NAME		SIGNATURE		DATE		DWG NO. 80 x 80 Stainless Steel Socket Asy		
CHK'D									A3		
APPV'D											
MFG											
Q.A											
							MATERIAL: 304L Stainless Steel		SCALE: 1:1		
							WEIGHT: 6255.01		SHEET 2 OF 6		

8 7 6 5 4 3 2 1

A

A

8 7 6 5 4 3 2 1

F

F

E

E

D

D

C

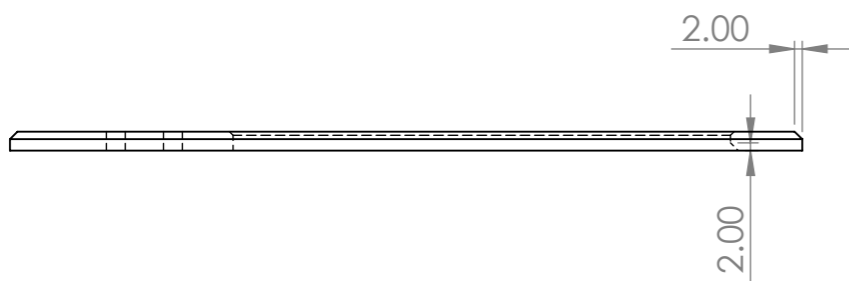
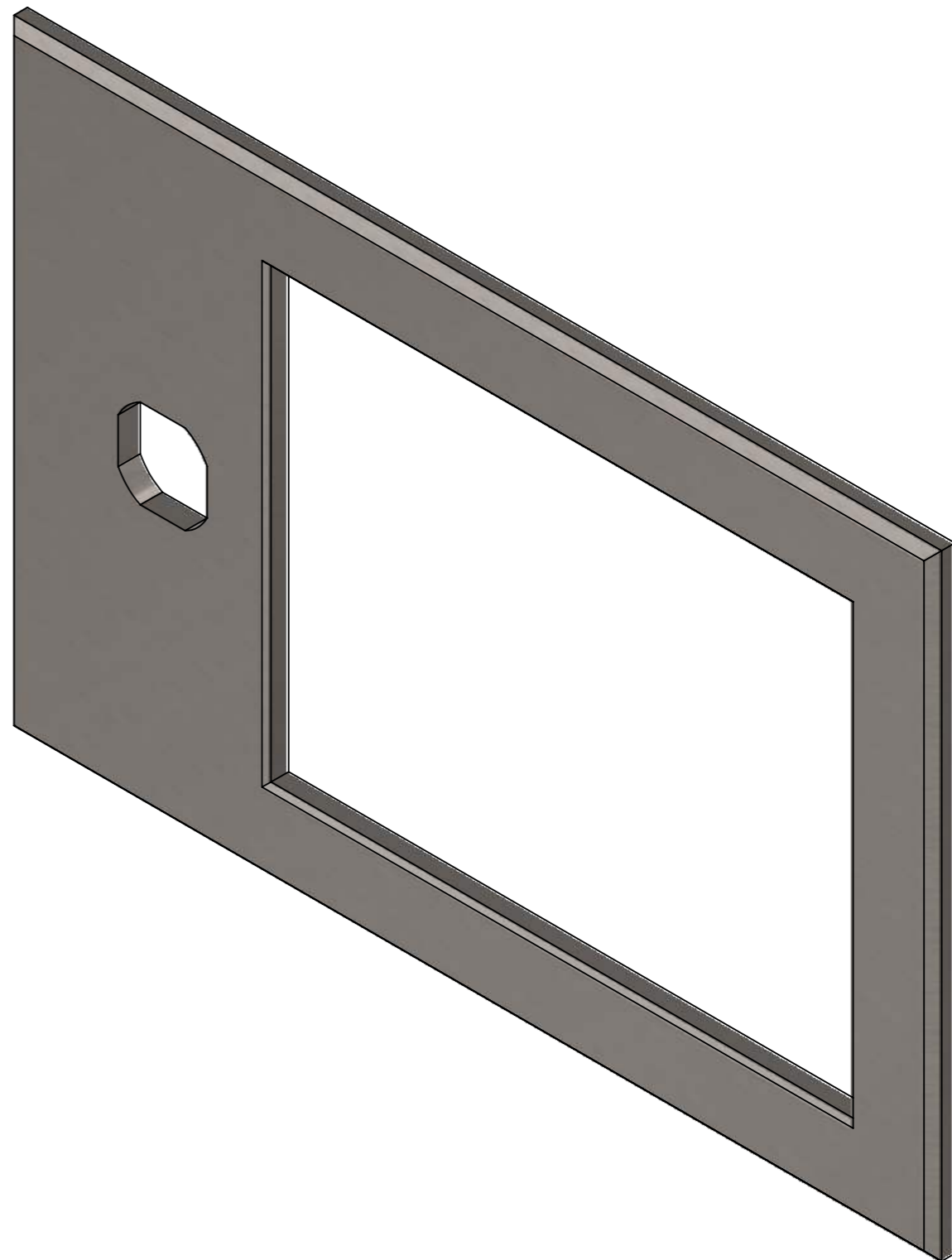
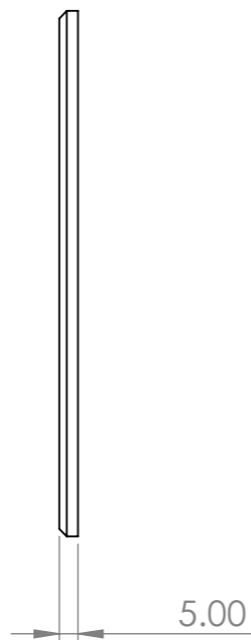
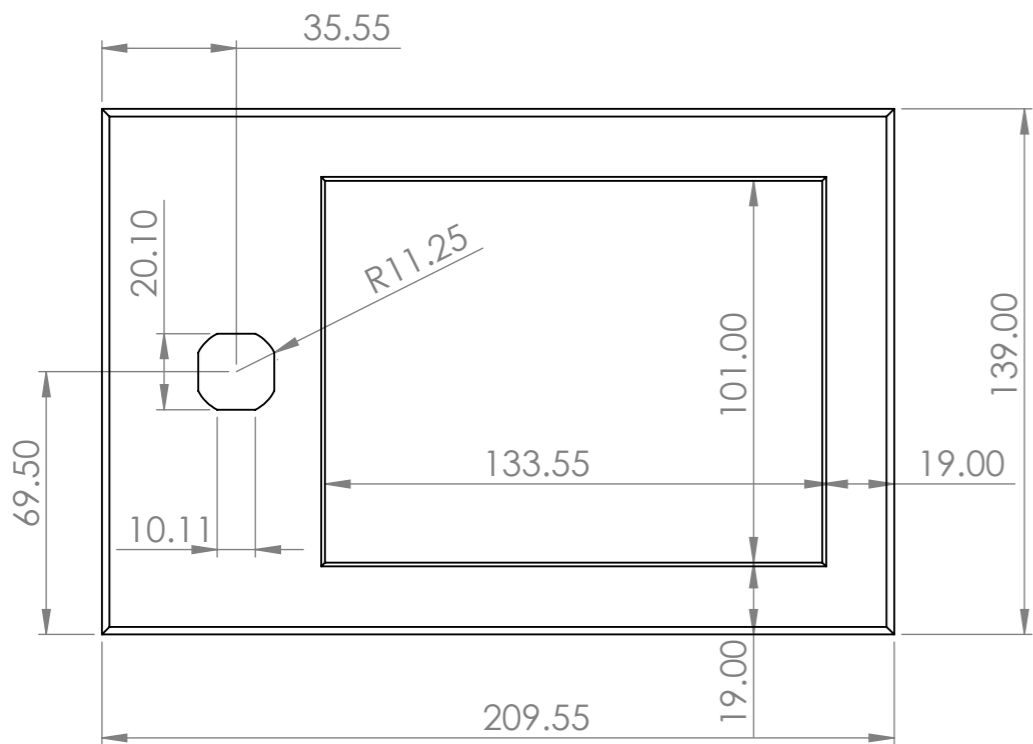
C

B

B

A

A



UNLESS OTHERWISE SPECIFIED: DIMENSIONS ARE IN MILLIMETERS SURFACE FINISH: TOLERANCES: LINEAR: ANGULAR:				FINISH:  Brushed Steel		DEBURR AND BREAK SHARP EDGES		DO NOT SCALE DRAWING		REVISION	
DRAWN				NAME		SIGNATURE		DATE		TITLE:  80 x 80 Ground Plate	
CHK'D										DWG NO. 80 x 80 Stainless Steel Socket Assy	
APPV'D										A3	
MFG										SCALE: 1:2	
Q.A								MATERIAL: 304L Stainless Steel		SHEET 3 OF 6	
								WEIGHT: 6255.01			

8 7 6 5 4 3 2 1

8 7 6 5 4 3 2 1

F

F

E

E

D

D

C

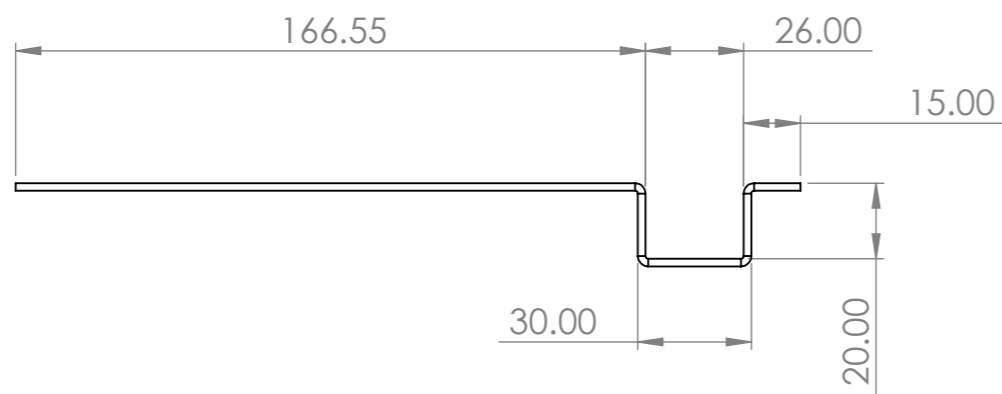
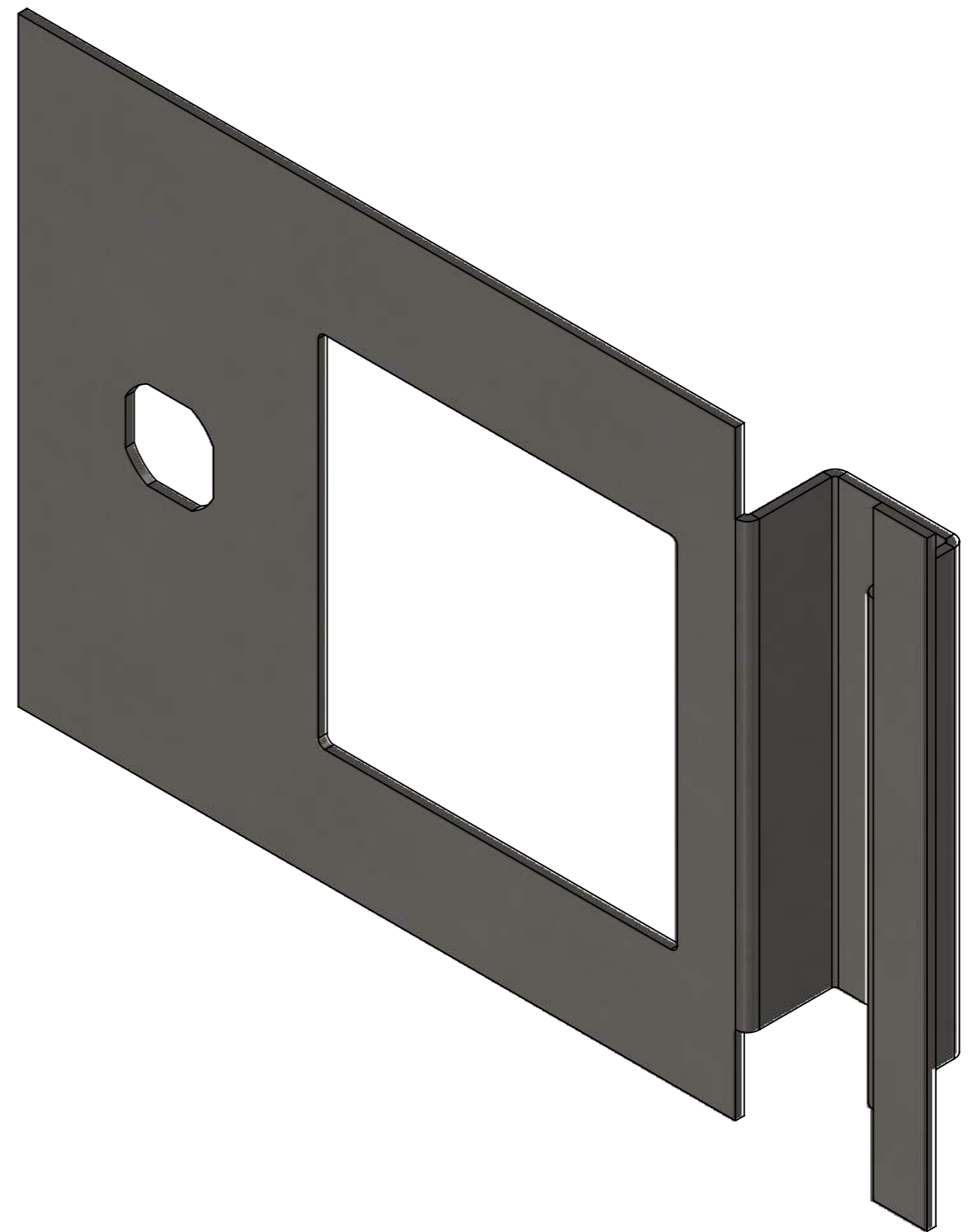
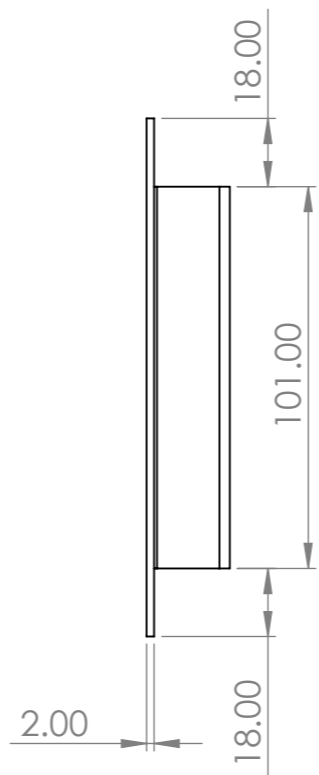
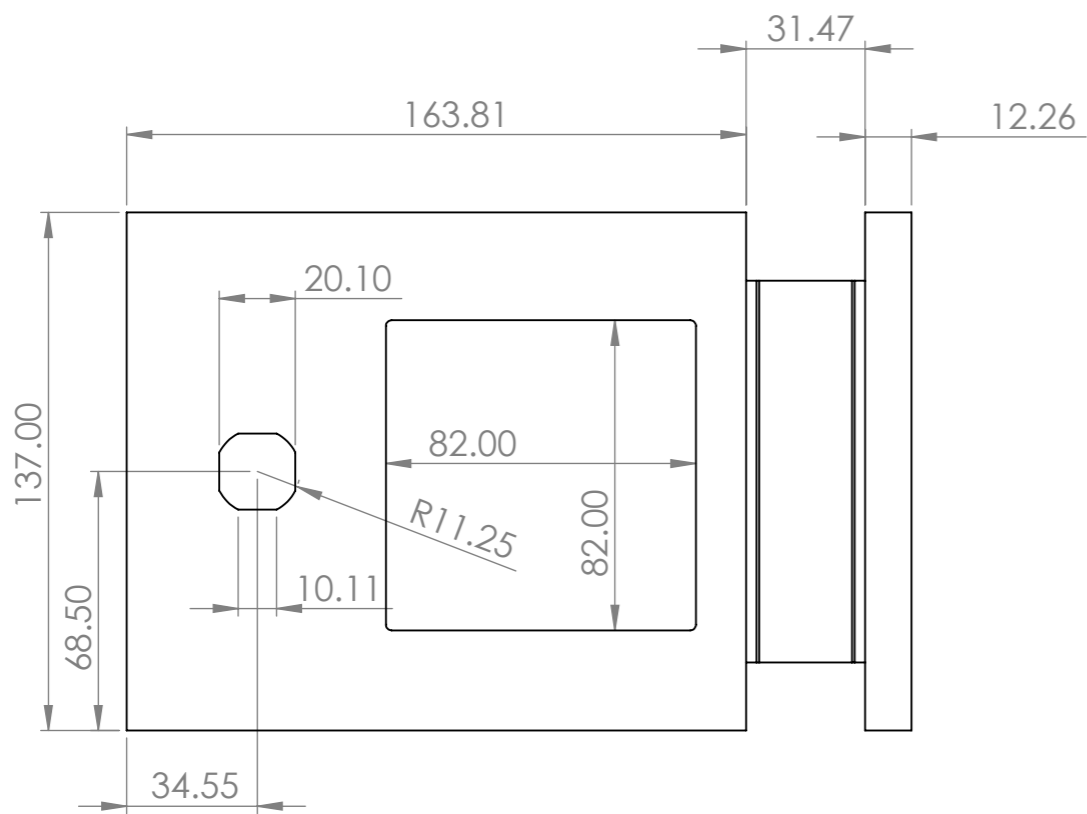
C

B

B

A

A



UNLESS OTHERWISE SPECIFIED: DIMENSIONS ARE IN MILLIMETERS SURFACE FINISH: TOLERANCES: LINEAR: ANGULAR:			FINISH:  2B Mill Finish		DEBURR AND BREAK SHARP EDGES		DO NOT SCALE DRAWING		REVISION				
							TITLE: <b>80 x 80 guide Plate</b>						
							MATERIAL: 304L Stainless Steel			DWG NO. 80 x 80 Stainless Steel Socket Asy		A3	
							WEIGHT: 6255.01		SCALE: 1:2		SHEET 4 OF 6		
DRAWN	NAME	SIGNATURE	DATE										
CHK'D													
APPV'D													
MFG													
Q.A													

8 7 6 5 4 3 2 1

8 7 6 5 4 3 2 1

F

F

E

E

D

D

C

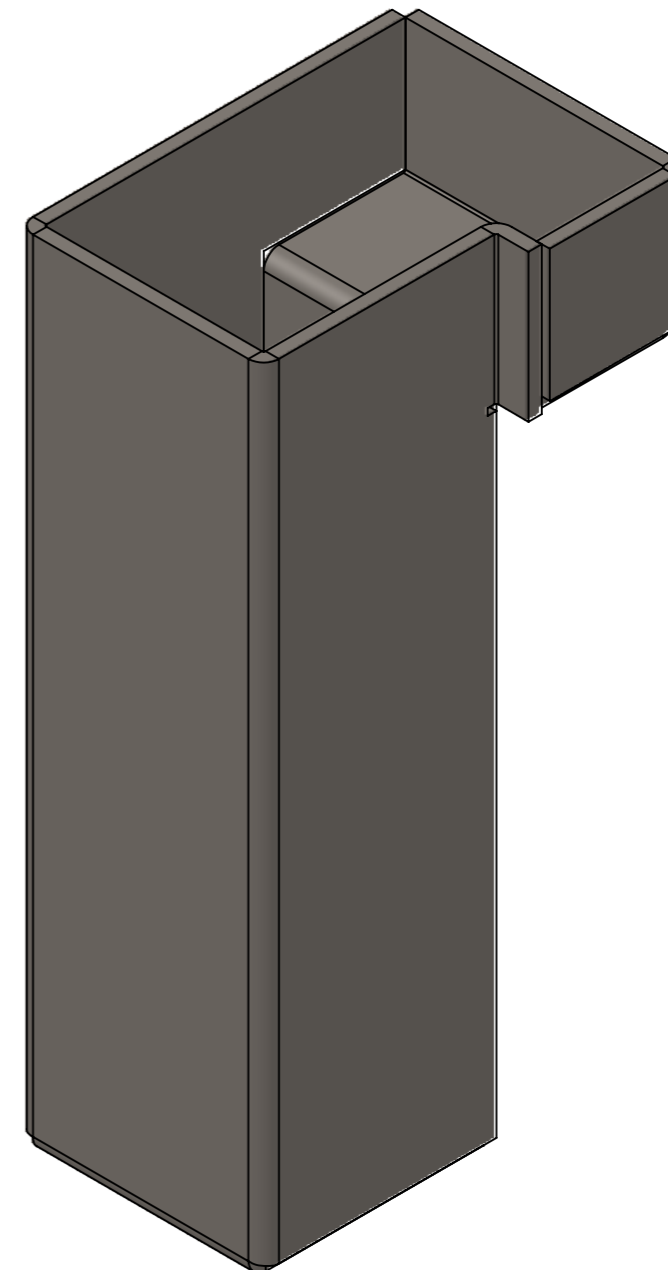
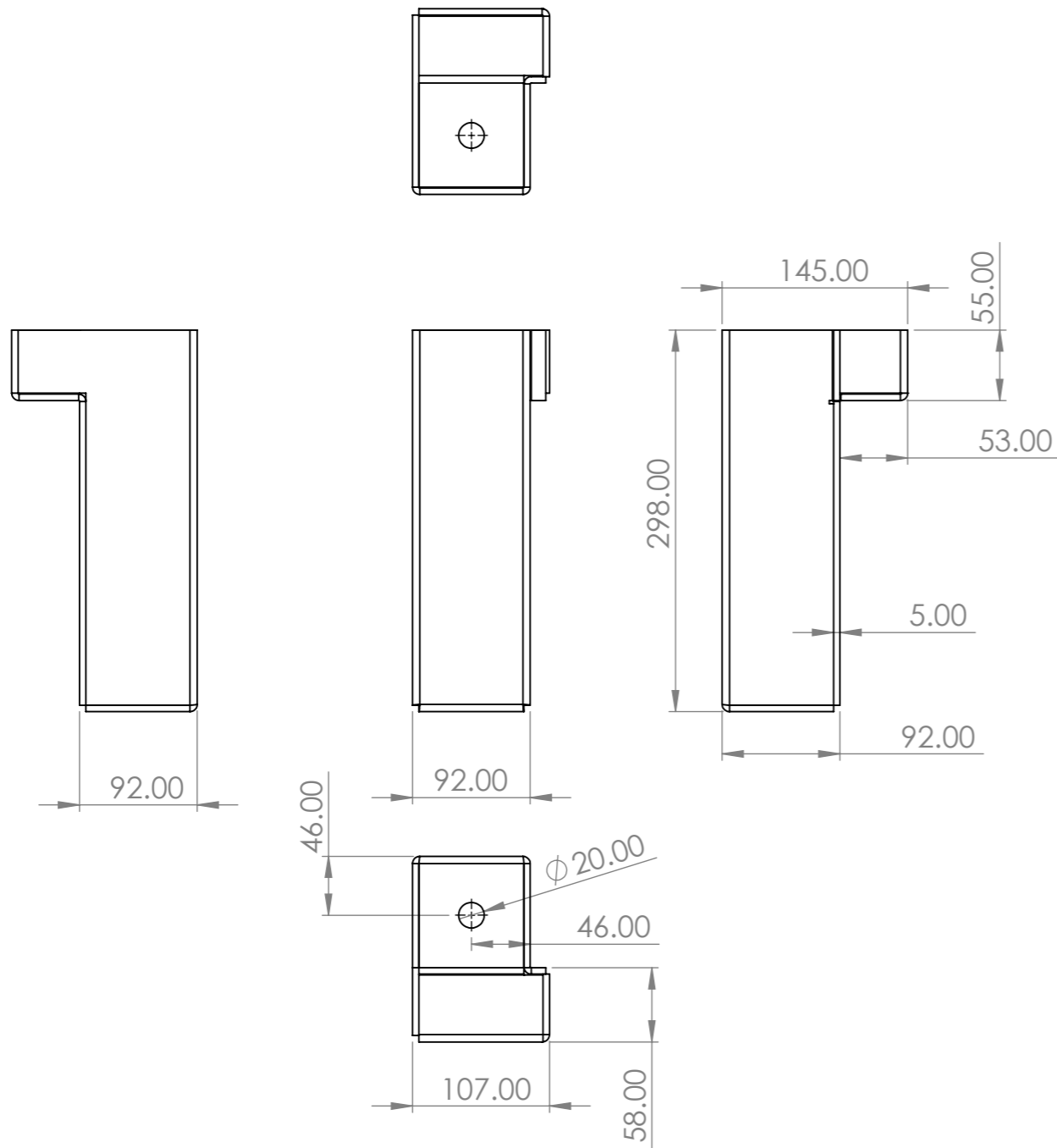
C


B

B

A

A



UNLESS OTHERWISE SPECIFIED: DIMENSIONS ARE IN MILLIMETERS SURFACE FINISH: TOLERANCES: LINEAR: ANGULAR:				FINISH:  2B Mill Finish		DEBURR AND BREAK SHARP EDGES		DO NOT SCALE DRAWING		REVISION	
											
								TITLE:  80 x 80 Socket			
DRAWN				NAME		SIGNATURE		DATE		DWG NO. 80 x 80 Stainless Steel Socket Asy	
CHK'D										A3	
APPV'D											
MFG											
Q.A											
						MATERIAL: 304L Stainless Steel		SCALE:1:5		SHEET 5 OF 6	
						WEIGHT: 6255.01					

8 7 6 5 4 3 2 1

8 7 6 5 4 3 2 1

F

F

E

E

D

D

C

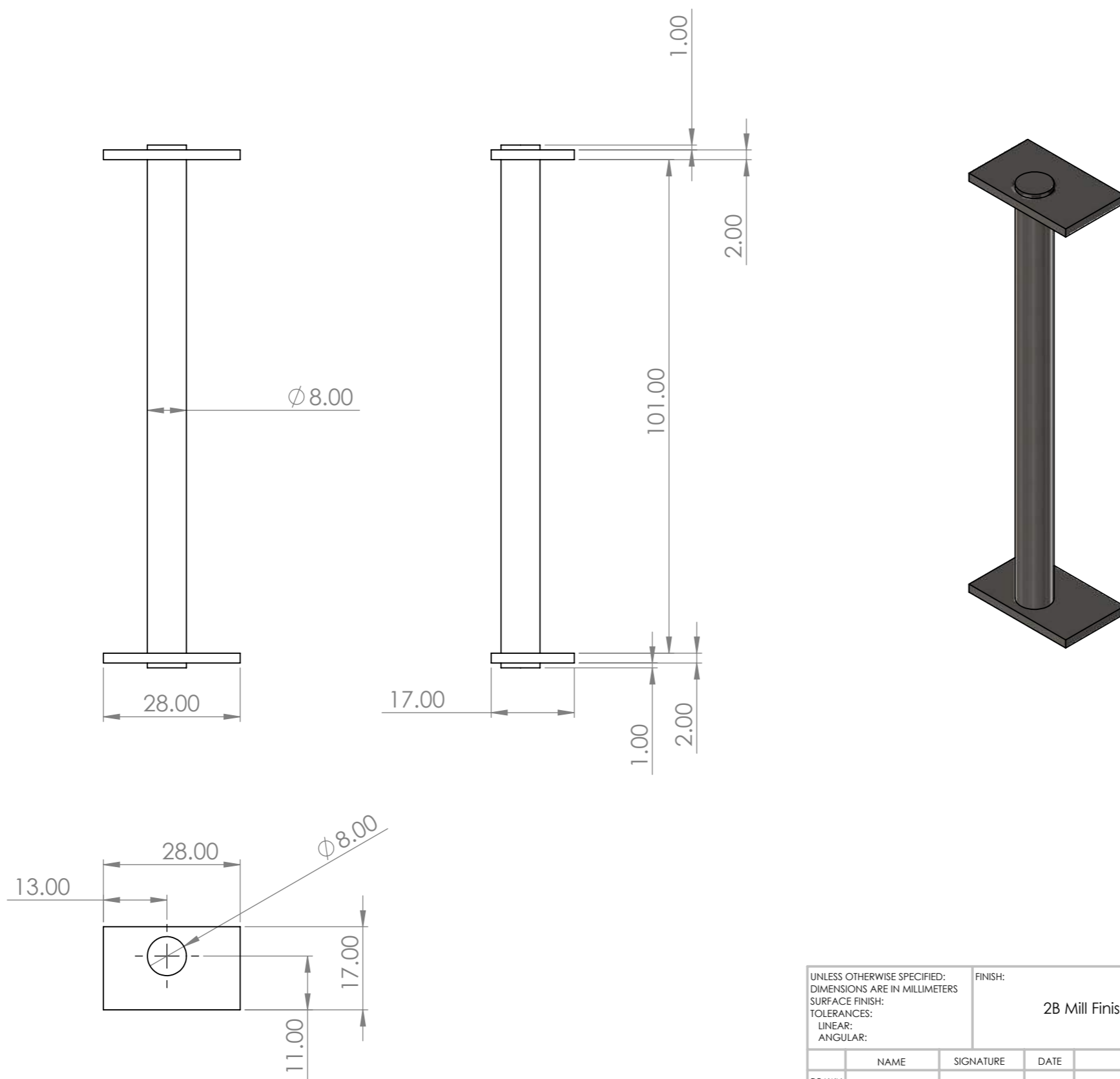
C


B

B

A

A



UNLESS OTHERWISE SPECIFIED: DIMENSIONS ARE IN MILLIMETERS			FINISH: 2B Mill Finish		DEBURR AND BREAK SHARP EDGES		DO NOT SCALE DRAWING		REVISION	
SURFACE FINISH: TOLERANCES: LINEAR: ANGULAR:										
DRAWN			NAME		SIGNATURE		DATE		TITLE: 80 x 80 Hinge	
CHK'D										
APPV'D										
MFG										
Q.A							MATERIAL: 304L stainless Steel		DWG NO. 80 x 80 Stainless Steel Socket Asy	
							WEIGHT: 6255.01		SCALE: 1:1	
									SHEET 6 OF 6	

8 7 6 5 4 3 2 1