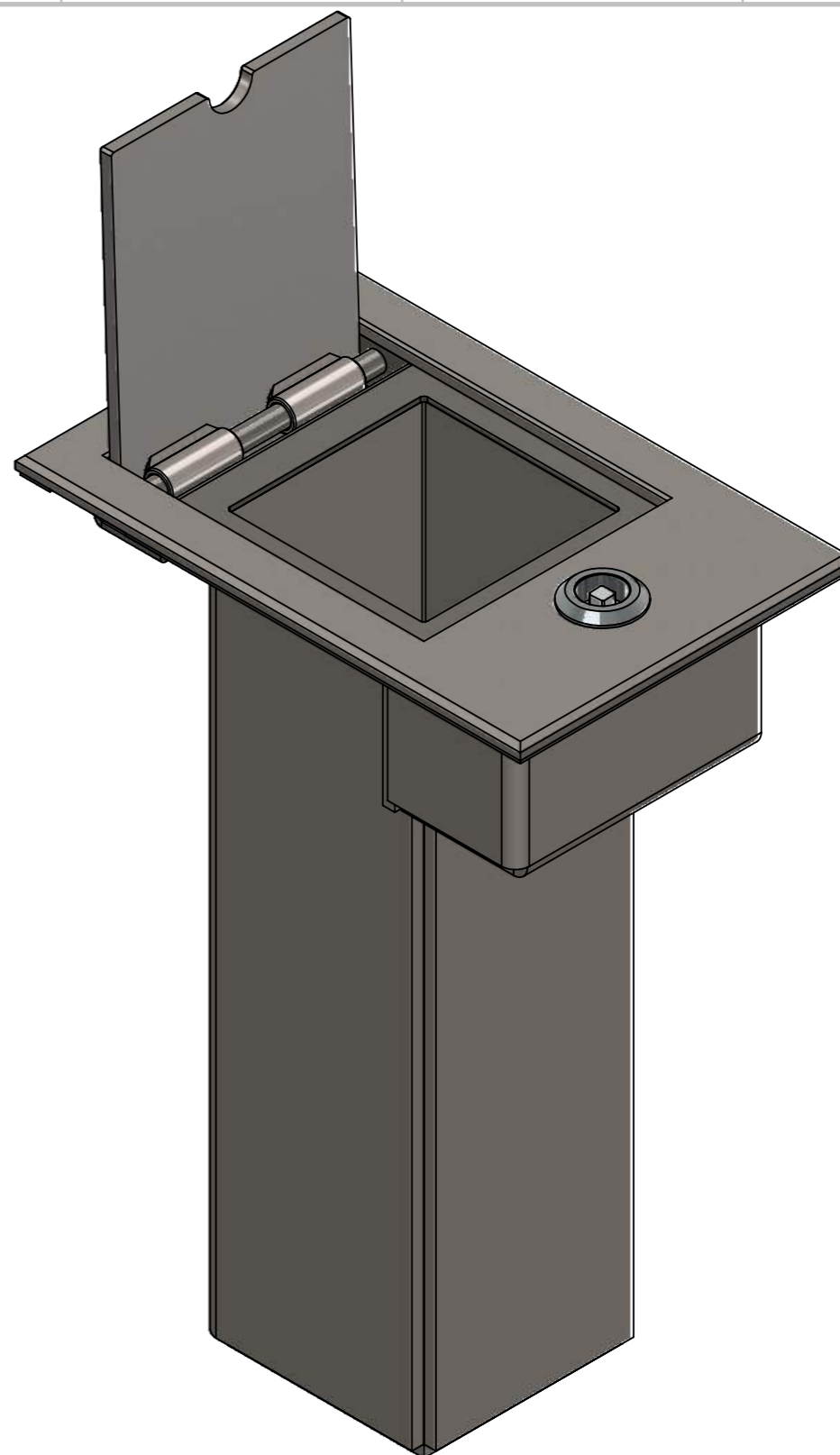
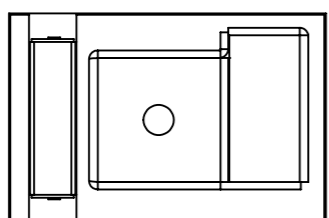
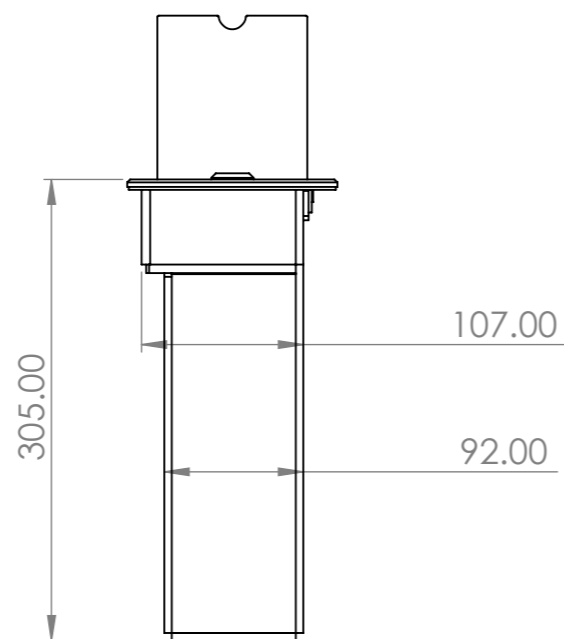
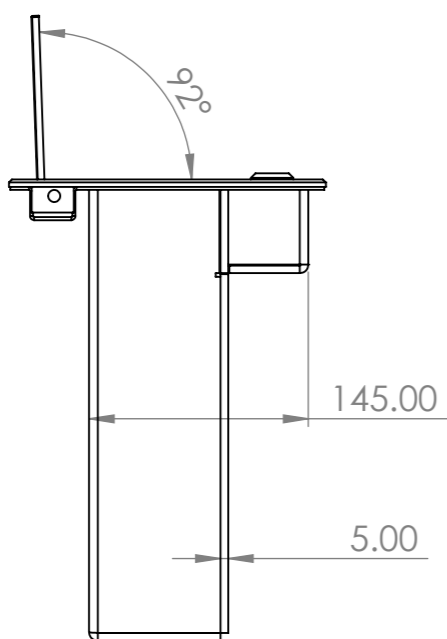
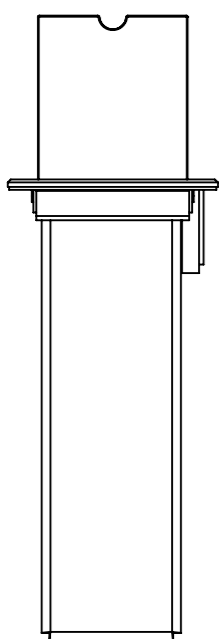
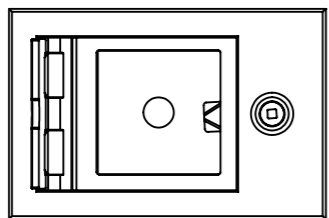



8 7 6 5 4 3 2 1

F
E
D
C
B
A

F
E
D
C
B
A



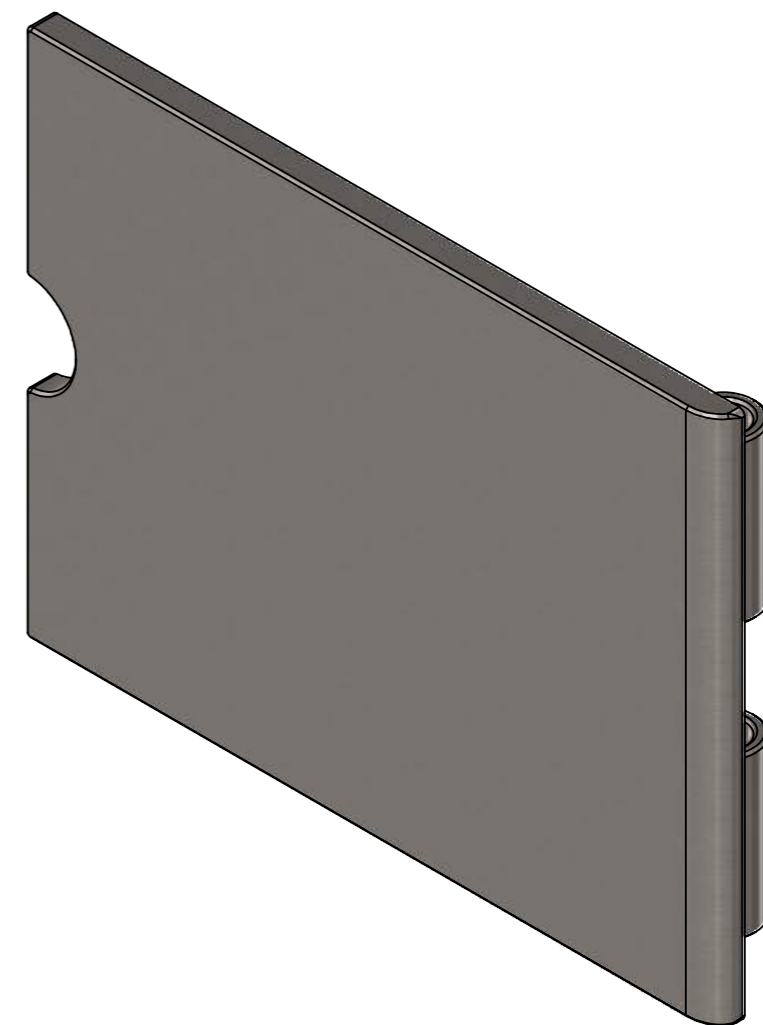
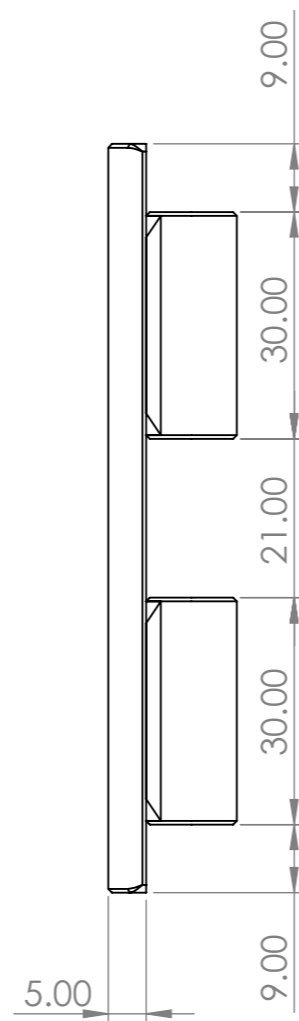
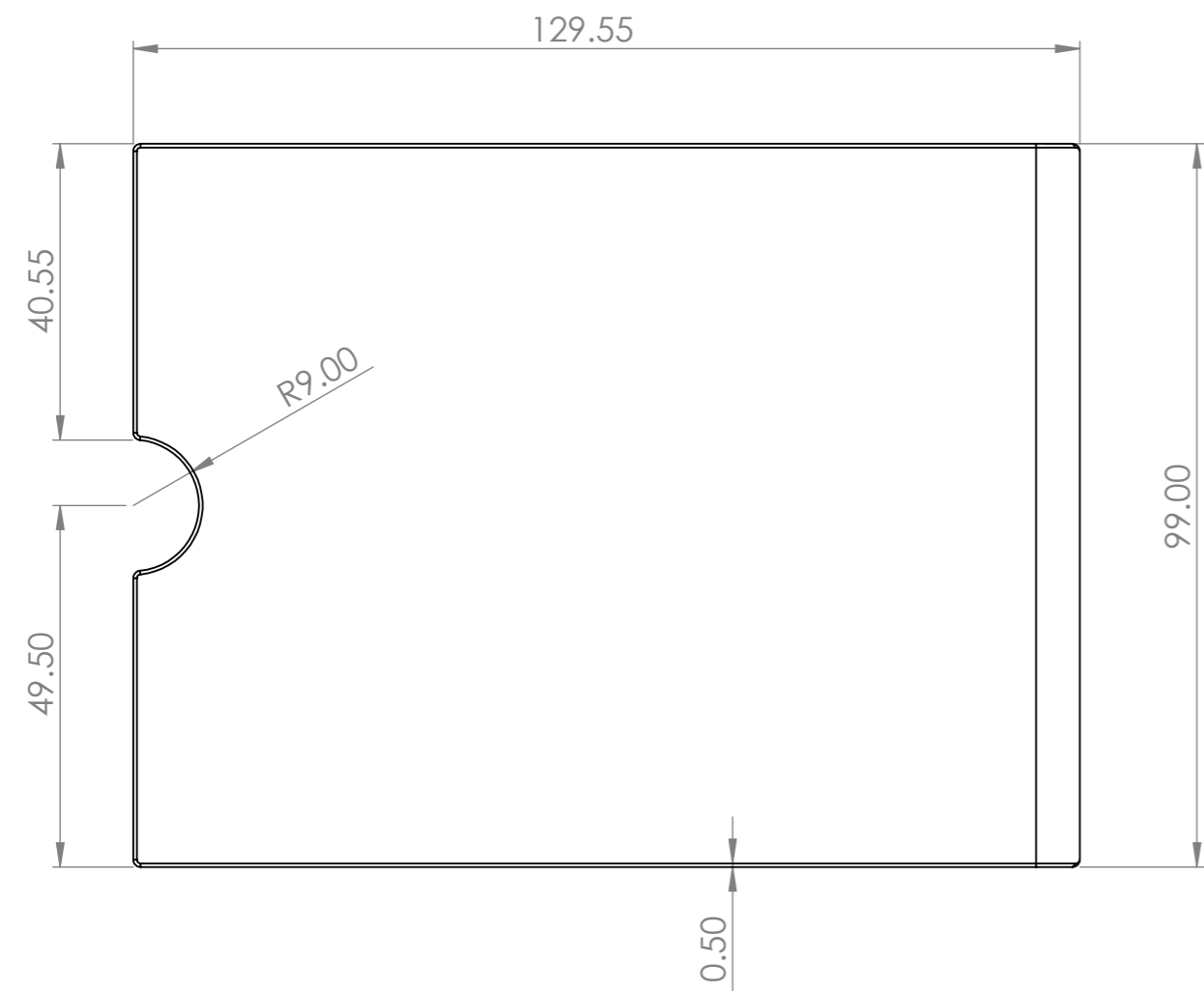
UNLESS OTHERWISE SPECIFIED: DIMENSIONS ARE IN MILLIMETERS SURFACE FINISH: TOLERANCES: LINEAR: ANGULAR:				FINISH: 2B Mill Finish		DEBURR AND BREAK SHARP EDGES		DO NOT SCALE DRAWING		REVISION																																																			
<table border="1"> <thead> <tr> <th>NAME</th> <th>SIGNATURE</th> <th>DATE</th> <th></th> <th></th> <th></th> <th></th> <th></th> </tr> </thead> <tbody> <tr> <td>DRAWN</td> <td></td> <td></td> <td></td> <td></td> <td></td> <td></td> <td></td> </tr> <tr> <td>CHK'D</td> <td></td> <td></td> <td></td> <td></td> <td></td> <td></td> <td></td> </tr> <tr> <td>APPV'D</td> <td></td> <td></td> <td></td> <td></td> <td></td> <td></td> <td></td> </tr> <tr> <td>MFG</td> <td></td> <td></td> <td></td> <td></td> <td></td> <td></td> <td></td> </tr> <tr> <td>Q.A</td> <td></td> <td></td> <td></td> <td></td> <td></td> <td></td> <td></td> </tr> </tbody> </table>								NAME	SIGNATURE	DATE						DRAWN								CHK'D								APPV'D								MFG								Q.A										TITLE:		A3	
								NAME	SIGNATURE	DATE																																																			
								DRAWN																																																					
								CHK'D																																																					
								APPV'D																																																					
MFG																																																													
Q.A																																																													
80 x 80 Socket Asy		DWG NO.		80 x 80 Stainless Steel Socket Asy																																																									
MATERIAL:						304L Stainless Steel		SCALE:1:5		SHEET 1 OF 6																																																			
WEIGHT: 6255.01																																																													

8 7 6 5 4 3 2 1

8 7 6 5 4 3 2 1

F

F



E

E

D

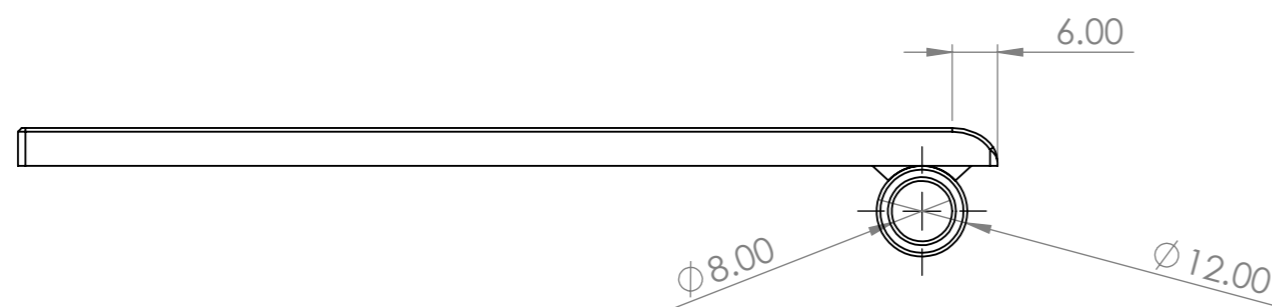
D

C

C

B

B



A

A

8 7 6 5 4 3 2 1

UNLESS OTHERWISE SPECIFIED: DIMENSIONS ARE IN MILLIMETERS SURFACE FINISH: TOLERANCES: LINEAR: ANGULAR:			FINISH: Brushed Steel		DEBURR AND BREAK SHARP EDGES		DO NOT SCALE DRAWING		REVISION				
							TITLE: 80 x 80 Flip Lid						
							MATERIAL: 304L Stainless Steel				DWG NO. 80 x 80 Stainless Steel Socket Asy		A3
							WEIGHT: 6255.01		SCALE: 1:1		SHEET 2 OF 6		

8 7 6 5 4 3 2 1

F

F

E

E

D

D

C

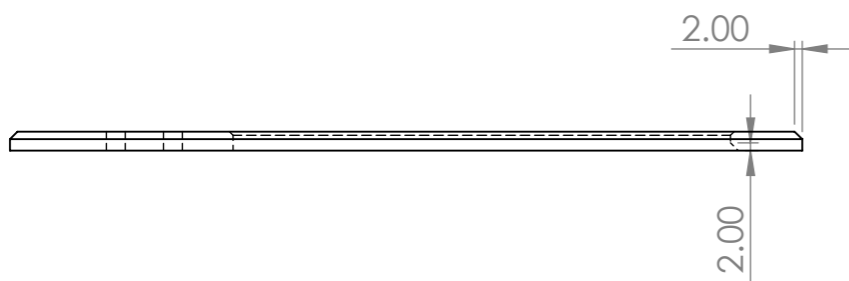
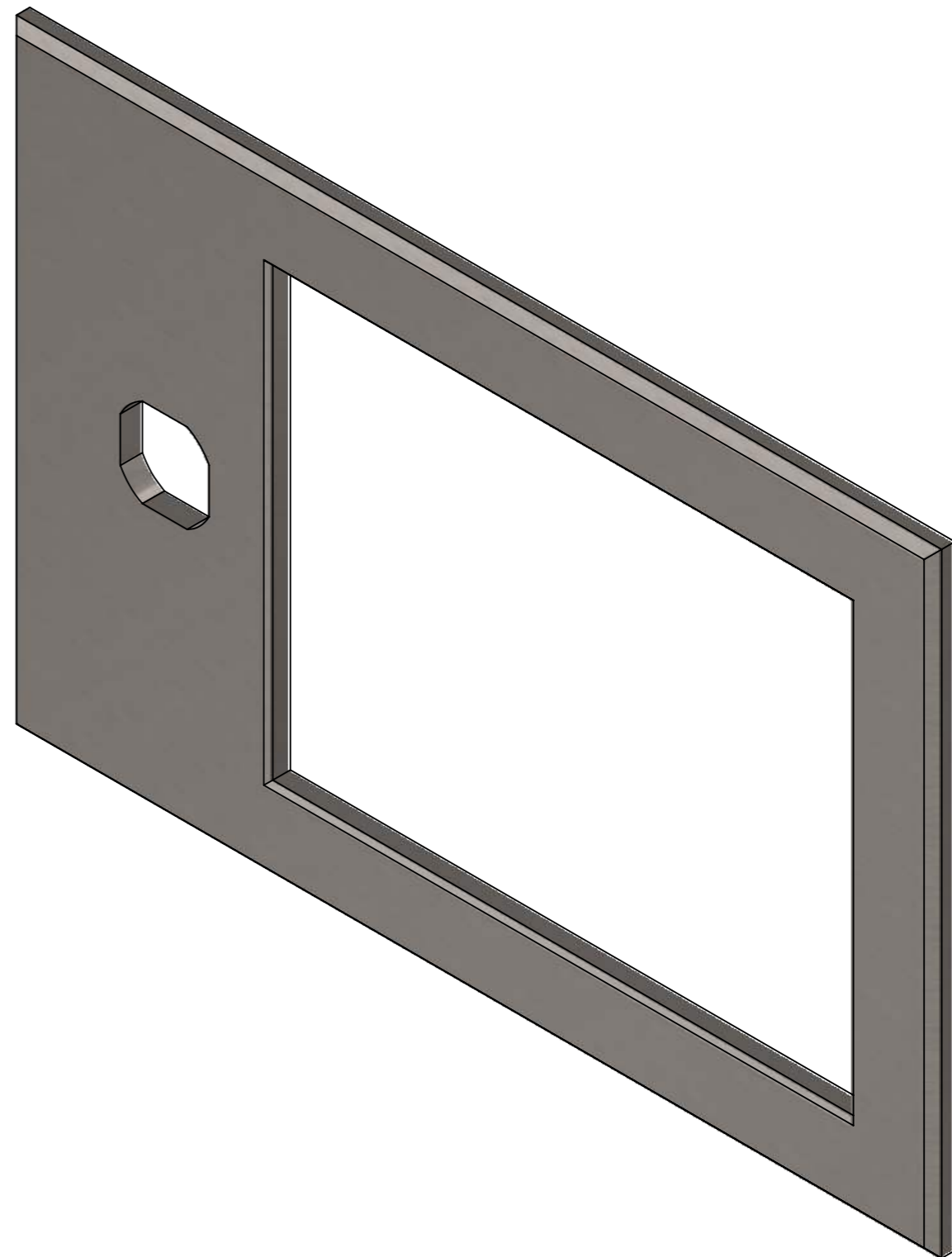
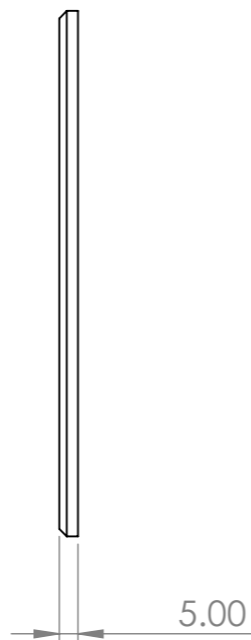
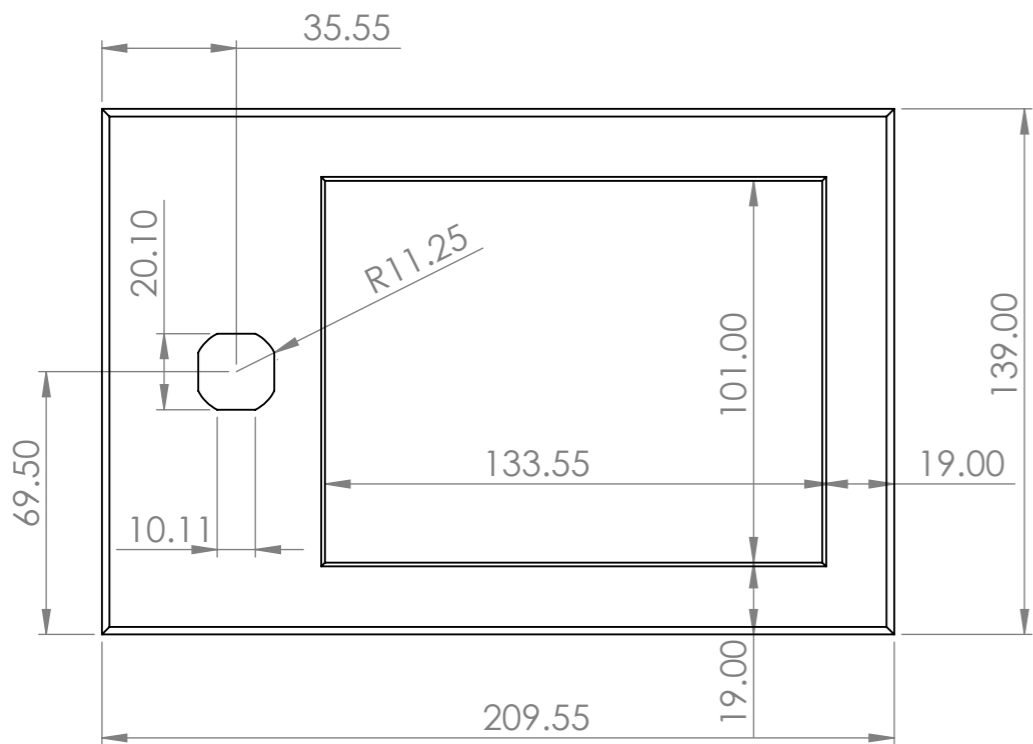
C

B

B

A

A



UNLESS OTHERWISE SPECIFIED: DIMENSIONS ARE IN MILLIMETERS SURFACE FINISH: TOLERANCES: LINEAR: ANGULAR:		FINISH: Brushed Steel		DEBURR AND BREAK SHARP EDGES		DO NOT SCALE DRAWING		REVISION	
DRAWN		NAME		SIGNATURE		DATE		TITLE: 80 x 80 Ground Plate	
CHK'D								DWG NO. 80 x 80 Stainless Steel Socket Assy	
APPV'D								SCALE: 1:2	
MFG								SHEET 3 OF 6	
Q.A						MATERIAL: 304L Stainless Steel		A3	
						WEIGHT: 6255.01			

8 7 6 5 4 3 2 1

F

F

E

E

D

D

C

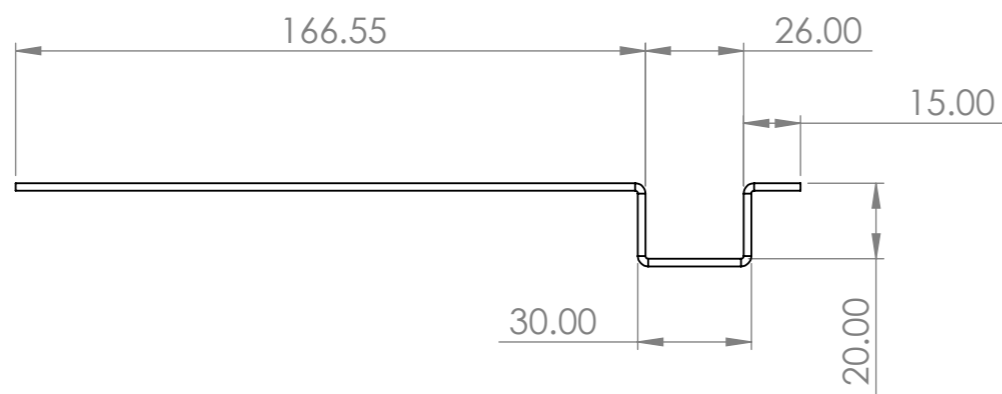
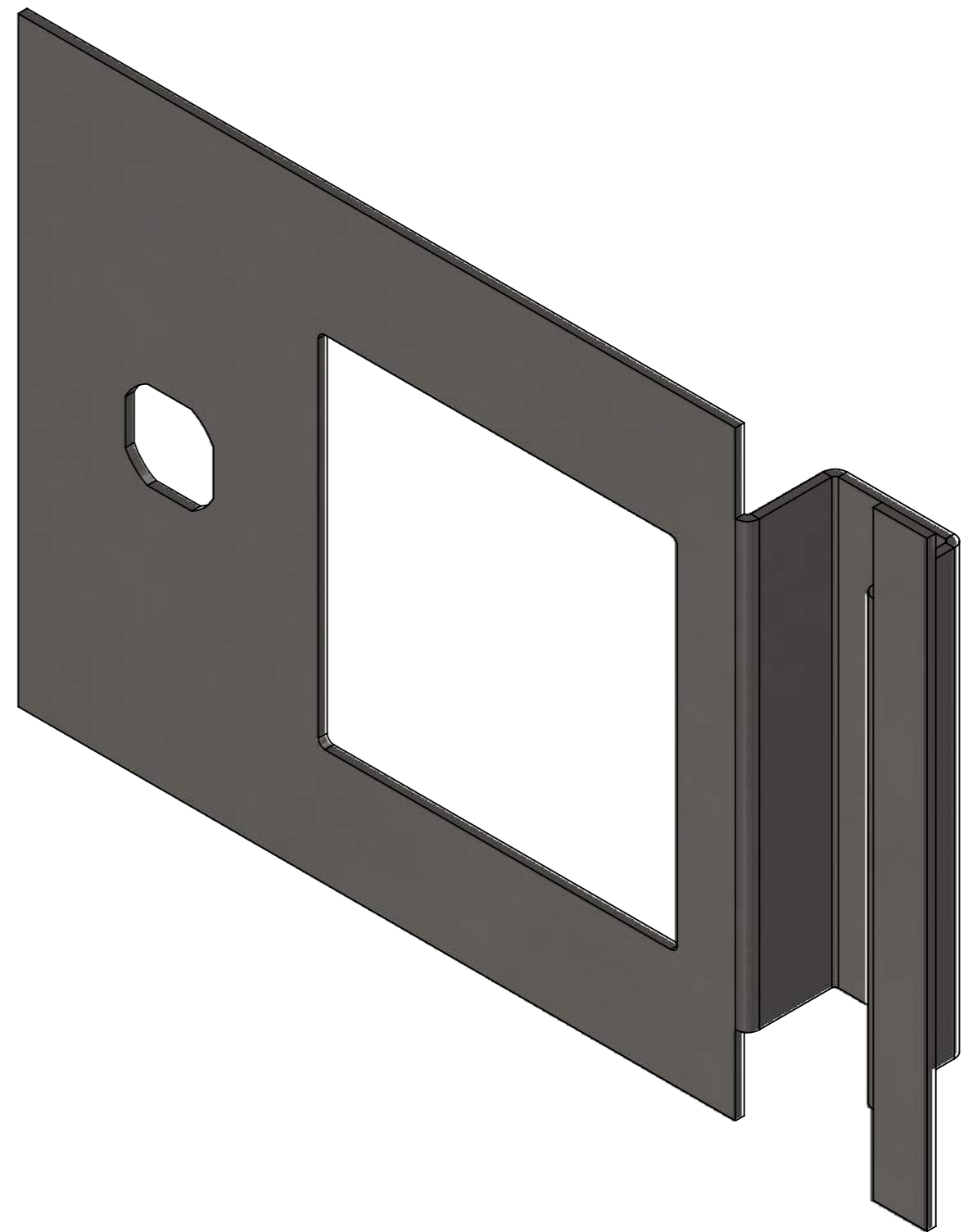
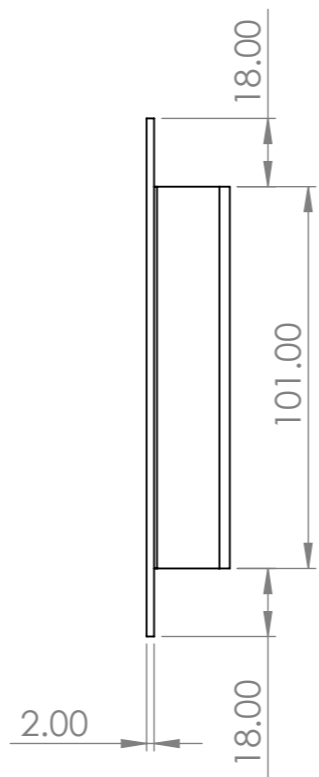
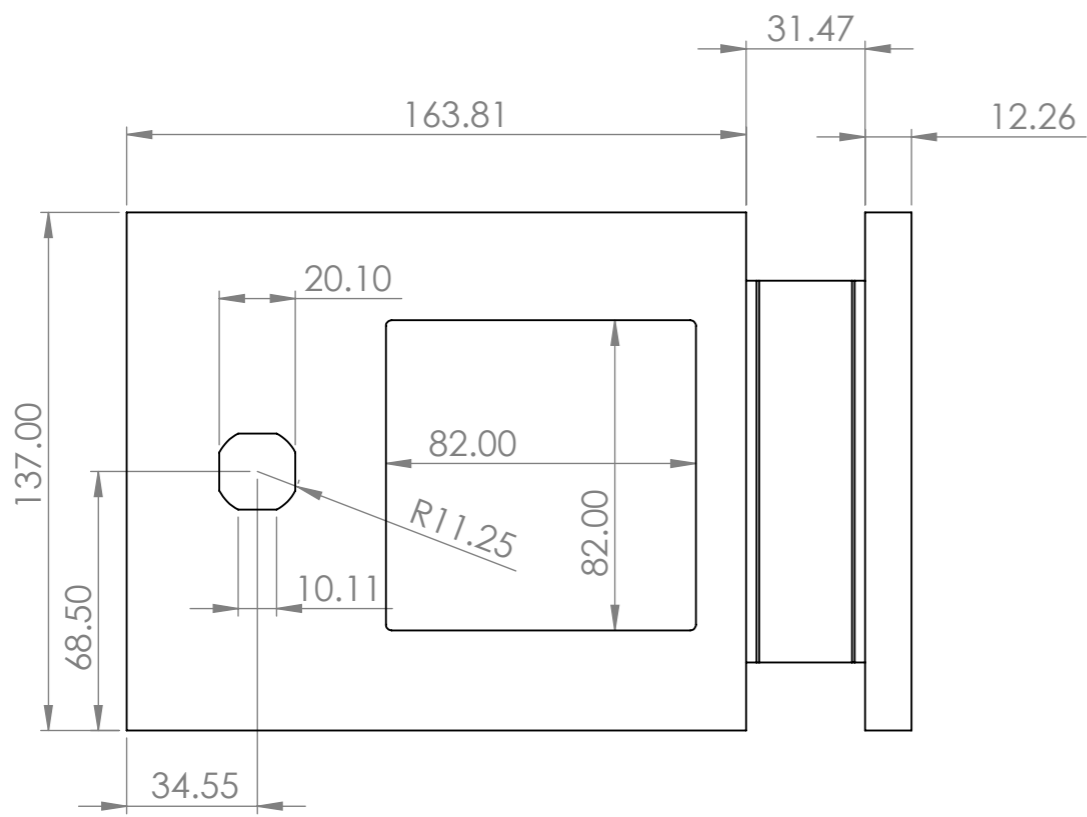
C

B

B

A

A



UNLESS OTHERWISE SPECIFIED: DIMENSIONS ARE IN MILLIMETERS SURFACE FINISH: TOLERANCES: LINEAR: ANGULAR:			FINISH: 2B Mill Finish		DEBURR AND BREAK SHARP EDGES		DO NOT SCALE DRAWING		REVISION				
							TITLE: 80 x 80 guide Plate						
							MATERIAL: 304L Stainless Steel			DWG NO. 80 x 80 Stainless Steel Socket Asy		A3	
							WEIGHT: 6255.01		SCALE: 1:2		SHEET 4 OF 6		
DRAWN	NAME	SIGNATURE	DATE										
CHK'D													
APPV'D													
MFG													
Q.A													

8 7 6 5 4 3 2 1

8 7 6 5 4 3 2 1

F

F

E

E

D

D

C

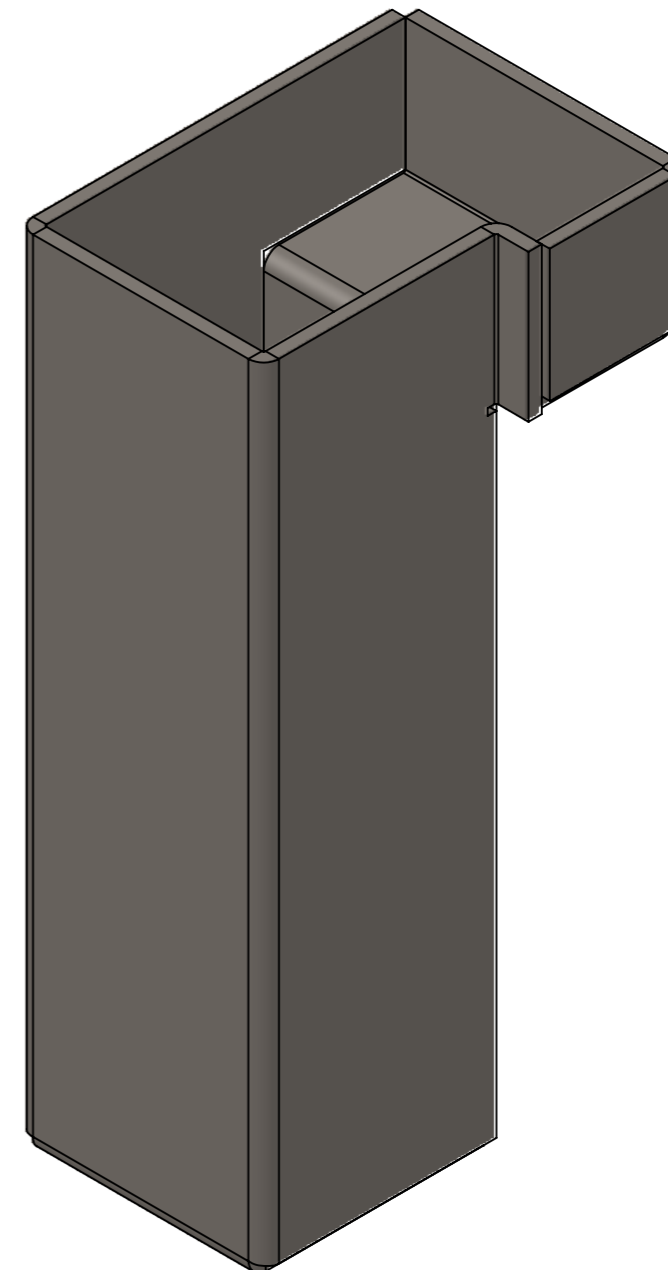
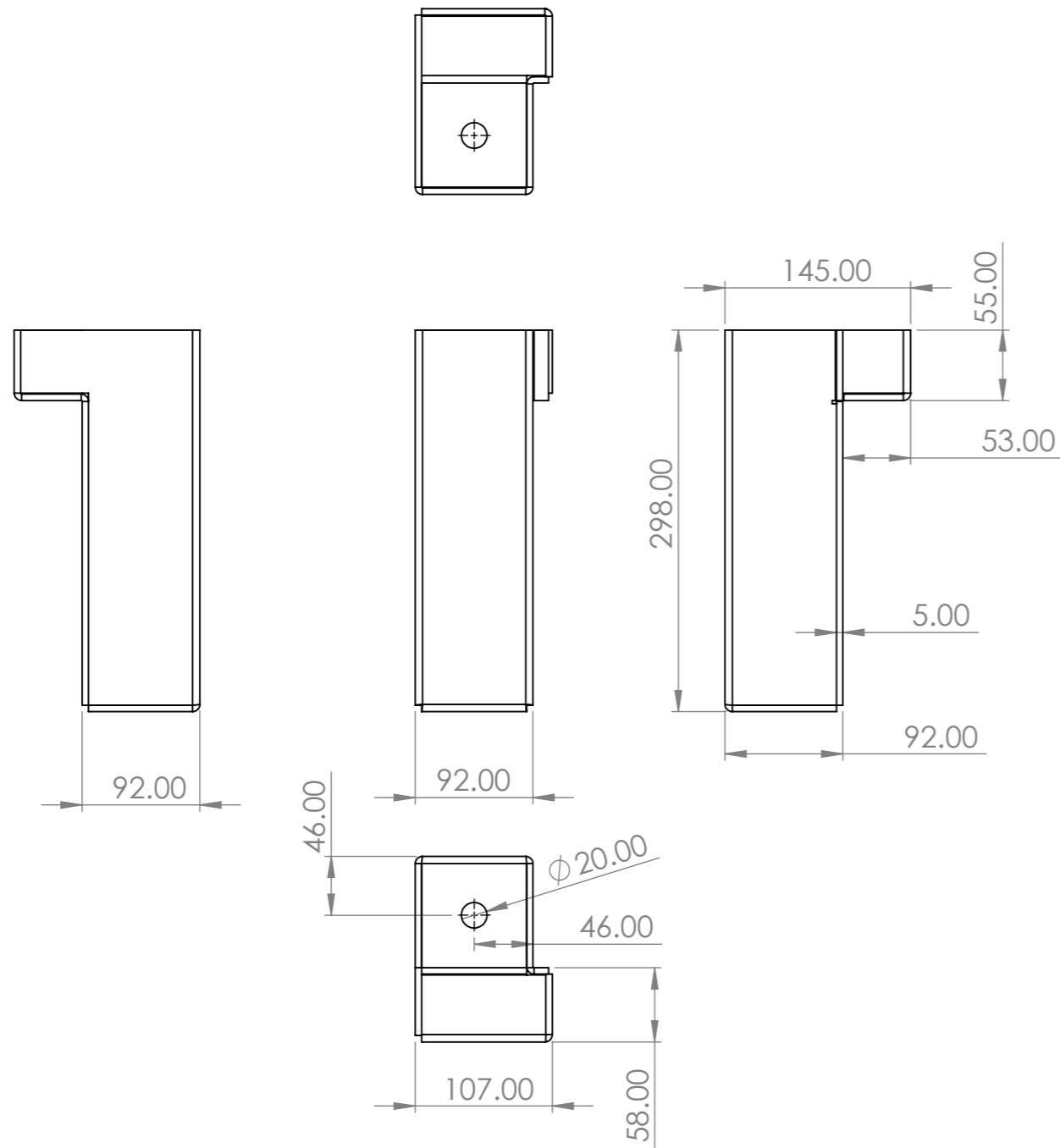
C


B

B

A

A



UNLESS OTHERWISE SPECIFIED: DIMENSIONS ARE IN MILLIMETERS SURFACE FINISH: TOLERANCES: LINEAR: ANGULAR:				FINISH: 2B Mill Finish		DEBURR AND BREAK SHARP EDGES		DO NOT SCALE DRAWING		REVISION		
												
								TITLE: 80 x 80 Socket				
DRAWN				NAME		SIGNATURE		DATE		DWG NO. 80 x 80 Stainless Steel Socket Asy		A3
CHK'D										SCALE:1:5		SHEET 5 OF 6
APPV'D										MATERIAL: 304L Stainless Steel		
MFG										WEIGHT: 6255.01		
Q.A												

8 7 6 5 4 3 2 1

8 7 6 5 4 3 2 1

F

F

E

E

D

D

C

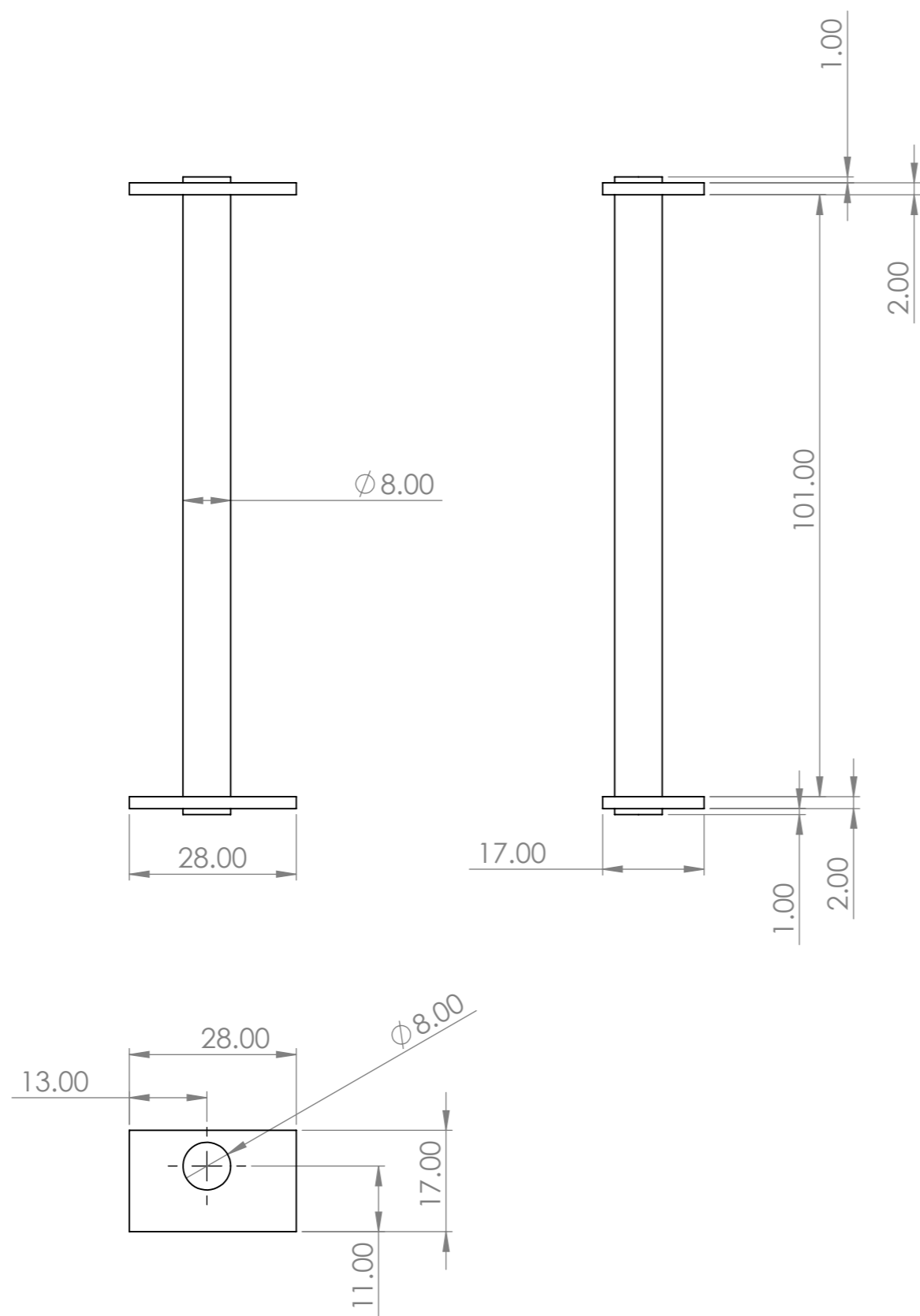
C


B

B

A

A



UNLESS OTHERWISE SPECIFIED: DIMENSIONS ARE IN MILLIMETERS			FINISH: 2B Mill Finish		DEBURR AND BREAK SHARP EDGES		DO NOT SCALE DRAWING		REVISION	
SURFACE FINISH: TOLERANCES: LINEAR: ANGULAR:										
DRAWN			NAME		SIGNATURE		DATE		TITLE: 80 x 80 Hinge	
CHK'D										
APPV'D										
MFG										
Q.A							MATERIAL: 304L stainless Steel		DWG NO. 80 x 80 Stainless Steel Socket Asy	
							WEIGHT: 6255.01		SCALE: 1:1	
									SHEET 6 OF 6	
									A3	

8 7 6 5 4 3 2 1