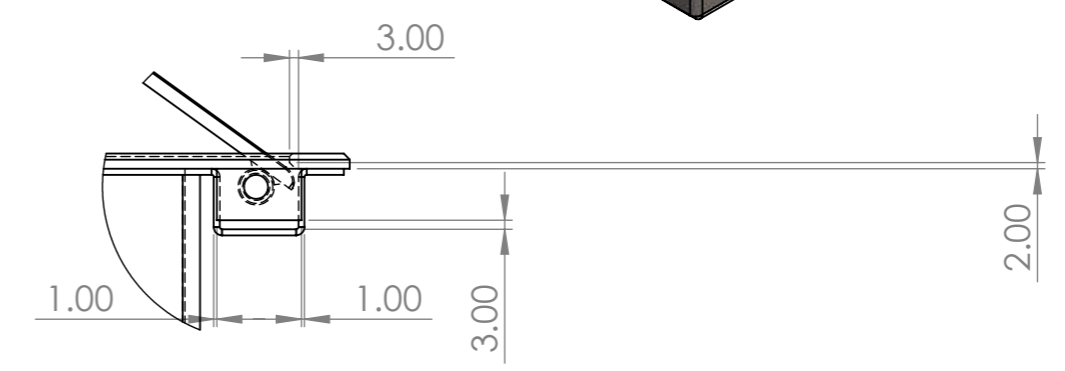
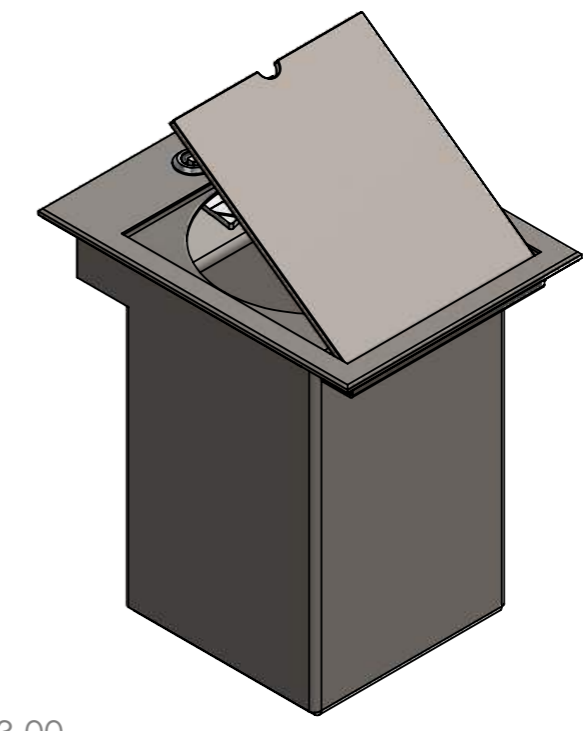
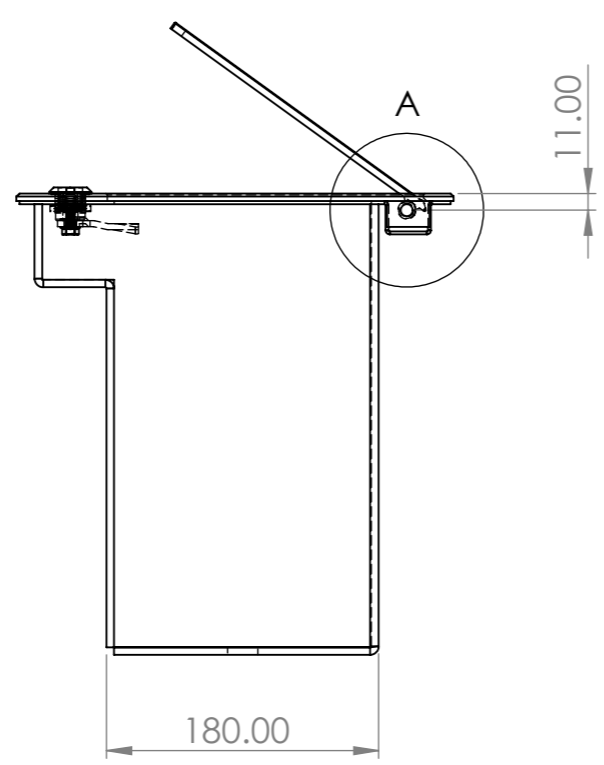
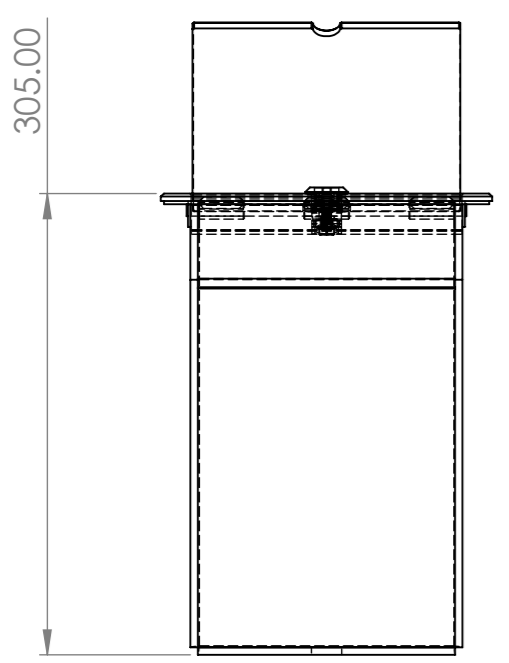
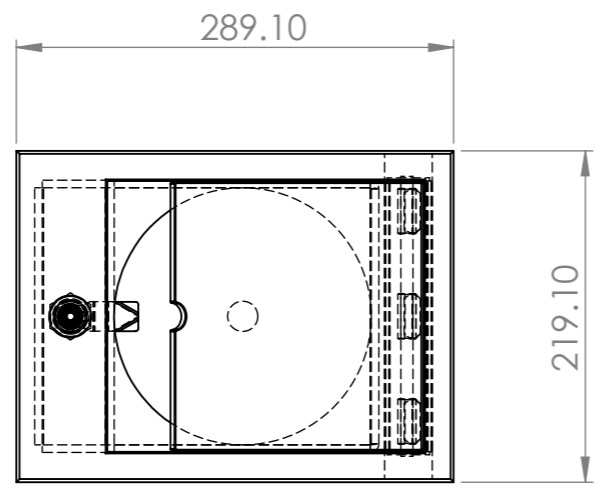


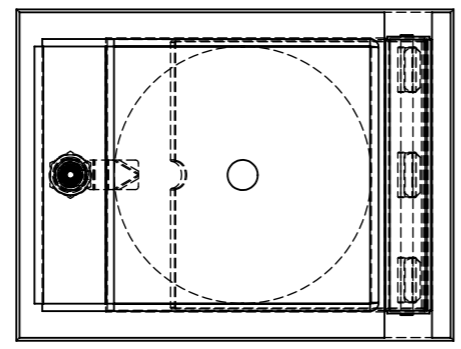
8 7 6 5 4 3 2 1

F
E
D
C
B
A

F
E
D
C
B
A



DETAIL A
SCALE 2 : 5



UNLESS OTHERWISE SPECIFIED: DIMENSIONS ARE IN MILLIMETERS SURFACE FINISH: TOLERANCES: LINEAR: ANGULAR:			FINISH:		DEBURR AND BREAK SHARP EDGES		DO NOT SCALE DRAWING		REVISION			
							TITLE:					
DRAWN			NAME		SIGNATURE		DATE					
CHK'D												
APPV'D												
MFG												
Q.A												
							MATERIAL:		DWG NO.			
							Material <not specified>		168mm socket assembly			
							WEIGHT: 13019.50		SCALE:1:5		SHEET 1 OF 6	
									A3			

8 7 6 5 4 3 2 1

8 7 6 5 4 3 2 1

F

F

E

E

D

D

C

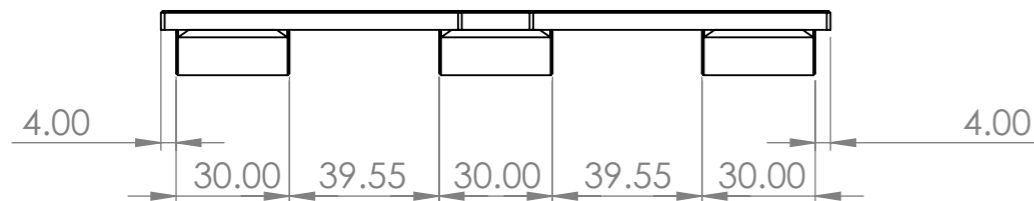
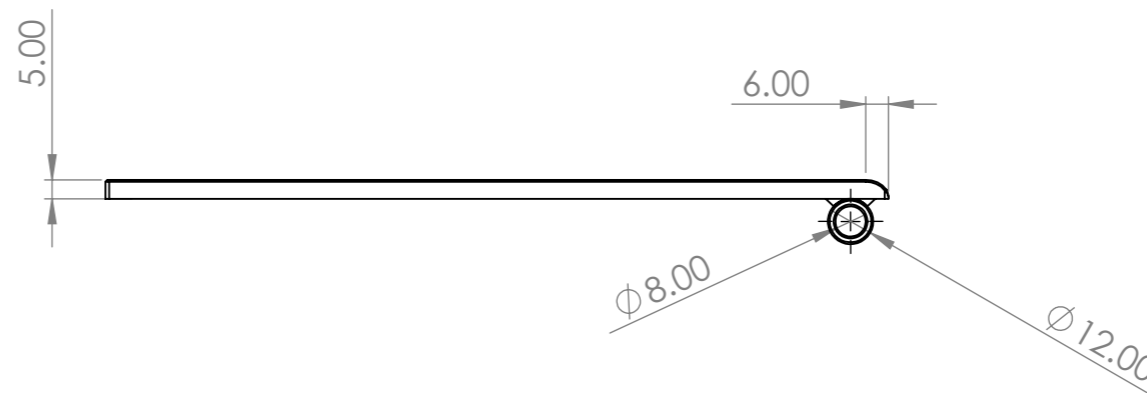
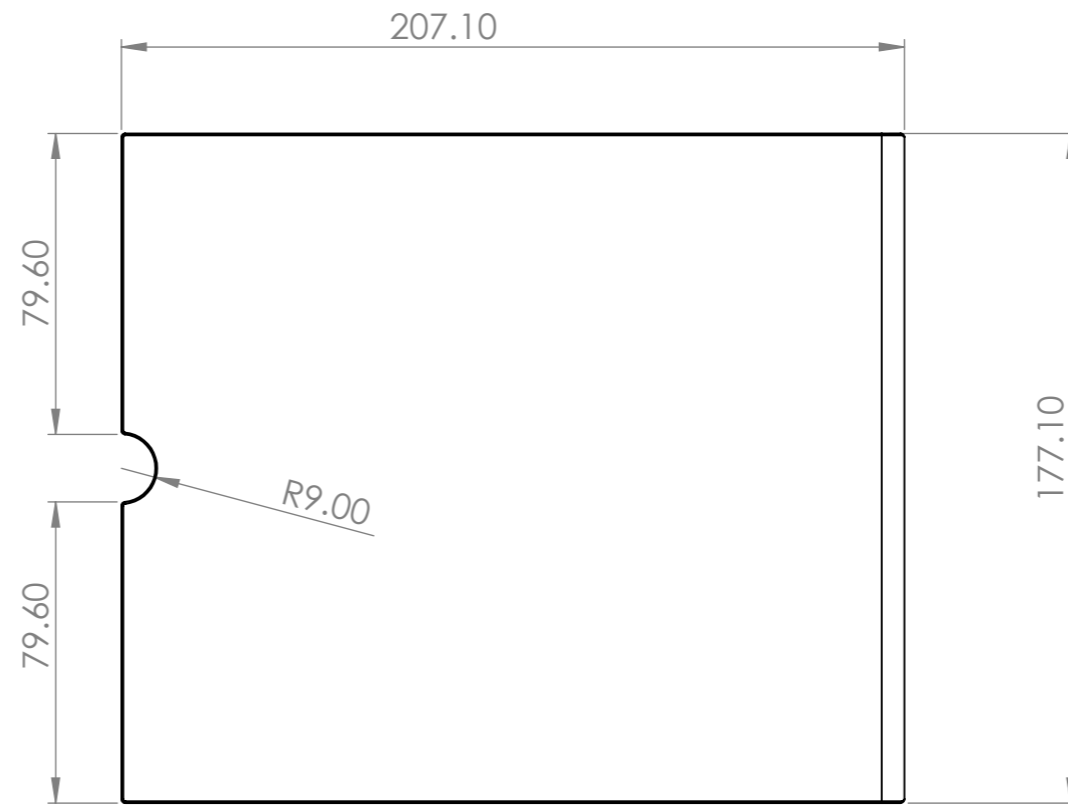
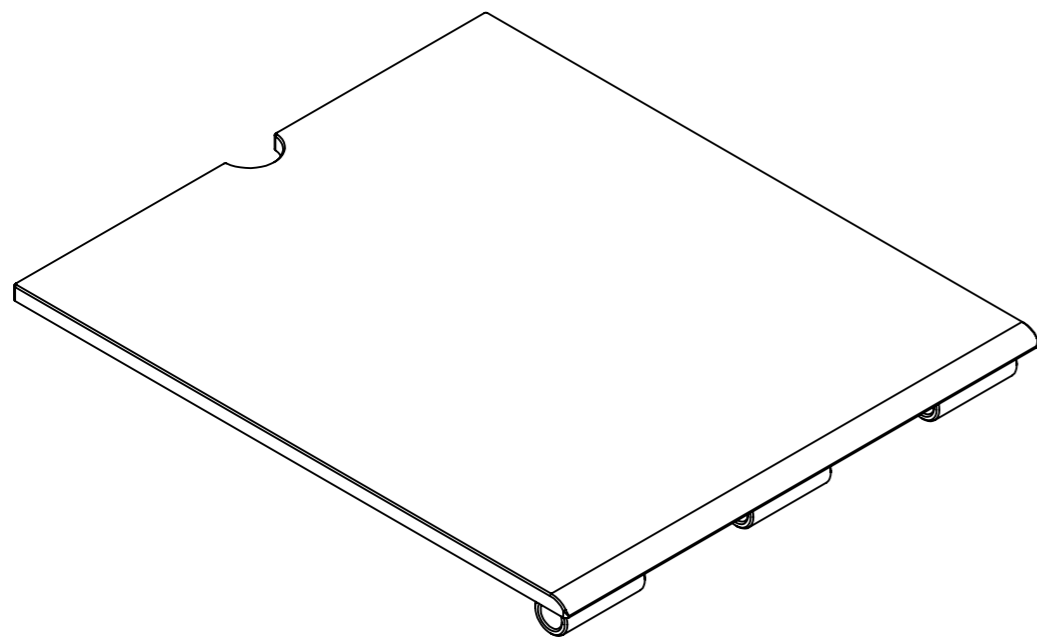
C

B

B

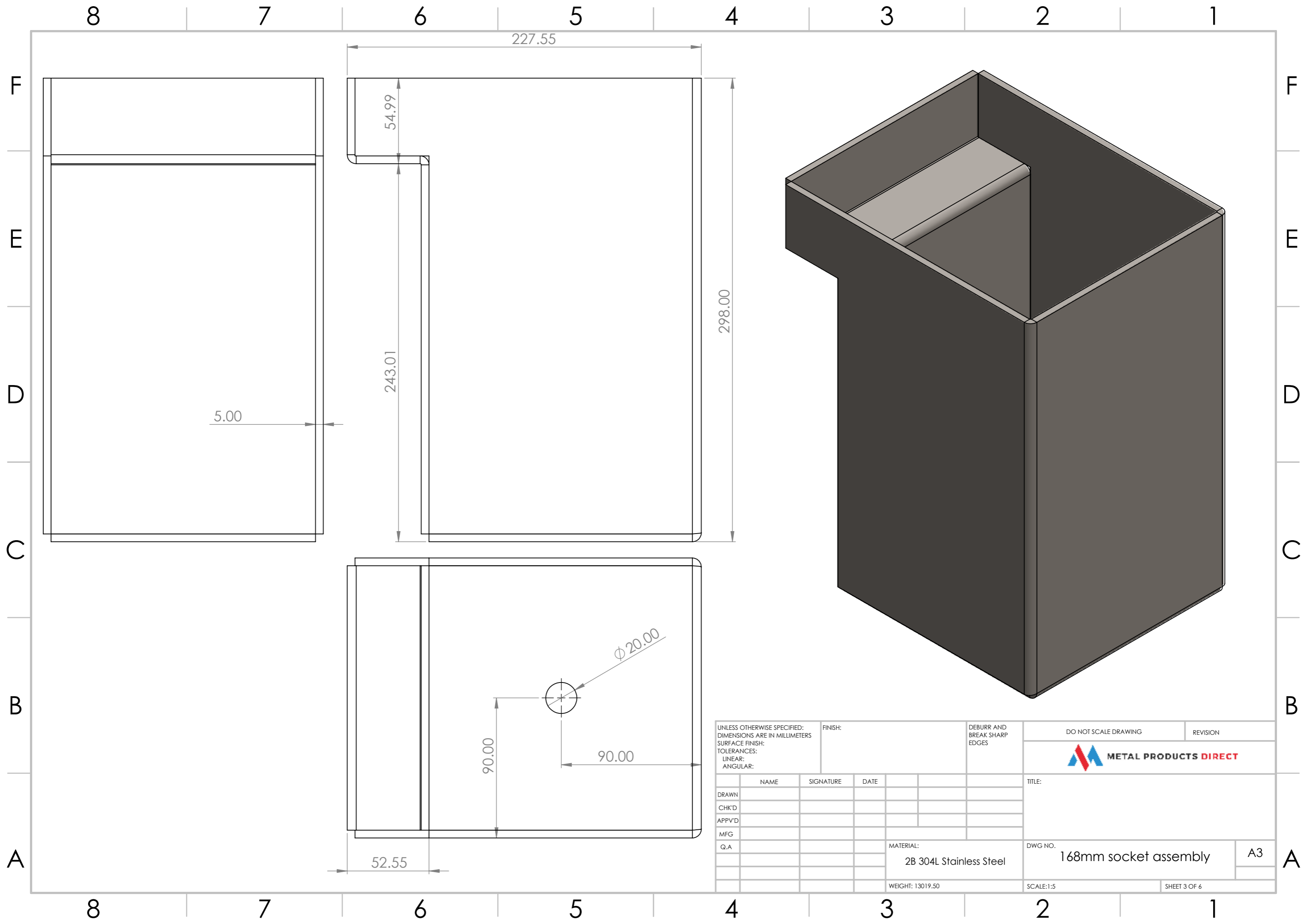
A


A



UNLESS OTHERWISE SPECIFIED: DIMENSIONS ARE IN MILLIMETERS SURFACE FINISH: TOLERANCES: LINEAR: ANGULAR:			FINISH:		DEBURR AND BREAK SHARP EDGES		DO NOT SCALE DRAWING		REVISION			
							TITLE:					
DRAWN			NAME		SIGNATURE		DATE		MATERIAL:			
CHK'D									Polished Stainless Steel			
APPV'D									DWG NO. 168mm socket assembly			
MFG									A3			
Q.A									SHEET 2 OF 6			
							WEIGHT: 13019.50		SCALE: 1:5			

8 7 6 5 4 3 2 1



UNLESS OTHERWISE SPECIFIED: DIMENSIONS ARE IN MILLIMETERS				FINISH:		DEBURR AND BREAK SHARP EDGES		DO NOT SCALE DRAWING		REVISION	
SURFACE FINISH:											
TOLERANCES:											
LINEAR:								TITLE:			
ANGULAR:								DRAWN			
								CHK'D			
								APPV'D			
								MFG			
								Q.A			
						MATERIAL:		DWG NO.			
						2B 304L Stainless Steel		168mm socket assembly			
						WEIGHT: 13019.50		SCALE: 1:5			
								SHEET 3 OF 6			
								A3			

8 7 6 5 4 3 2 1

F

F

E

E

D

D

C

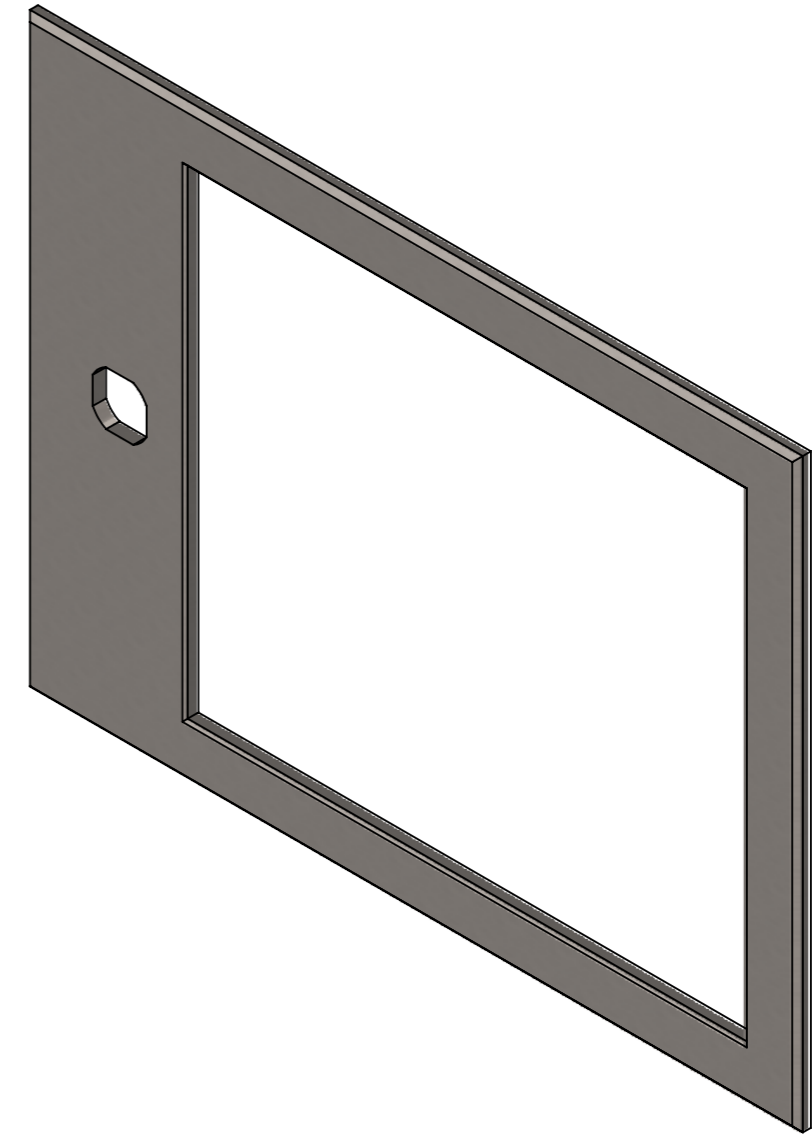
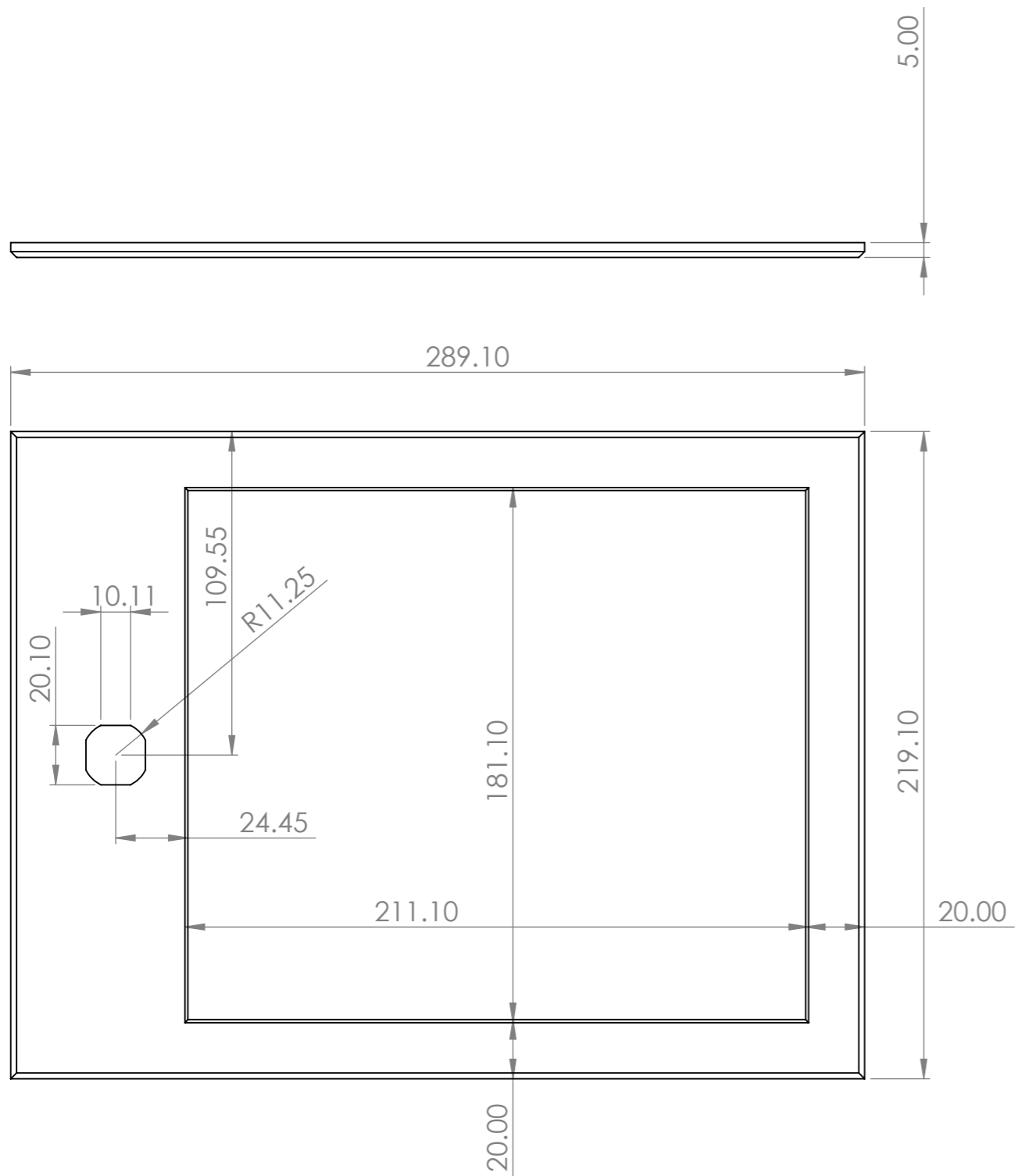
C

B

B

A

A



UNLESS OTHERWISE SPECIFIED: DIMENSIONS ARE IN MILLIMETERS SURFACE FINISH: TOLERANCES: LINEAR: ANGULAR:				FINISH:		DEBURR AND BREAK SHARP EDGES		DO NOT SCALE DRAWING		REVISION	
								TITLE:			
DRAWN				NAME		SIGNATURE		DATE		DWG NO.	
CHK'D										168mm socket assembly	
APPV'D										A3	
MFG										SCALE:1:5	
Q.A								MATERIAL: Polished SAstainless steel		SHEET 4 OF 6	
								WEIGHT: 13019.50			

8 7 6 5 4 3 2 1

8 7 6 5 4 3 2 1

F

F

E

E

D

D

C

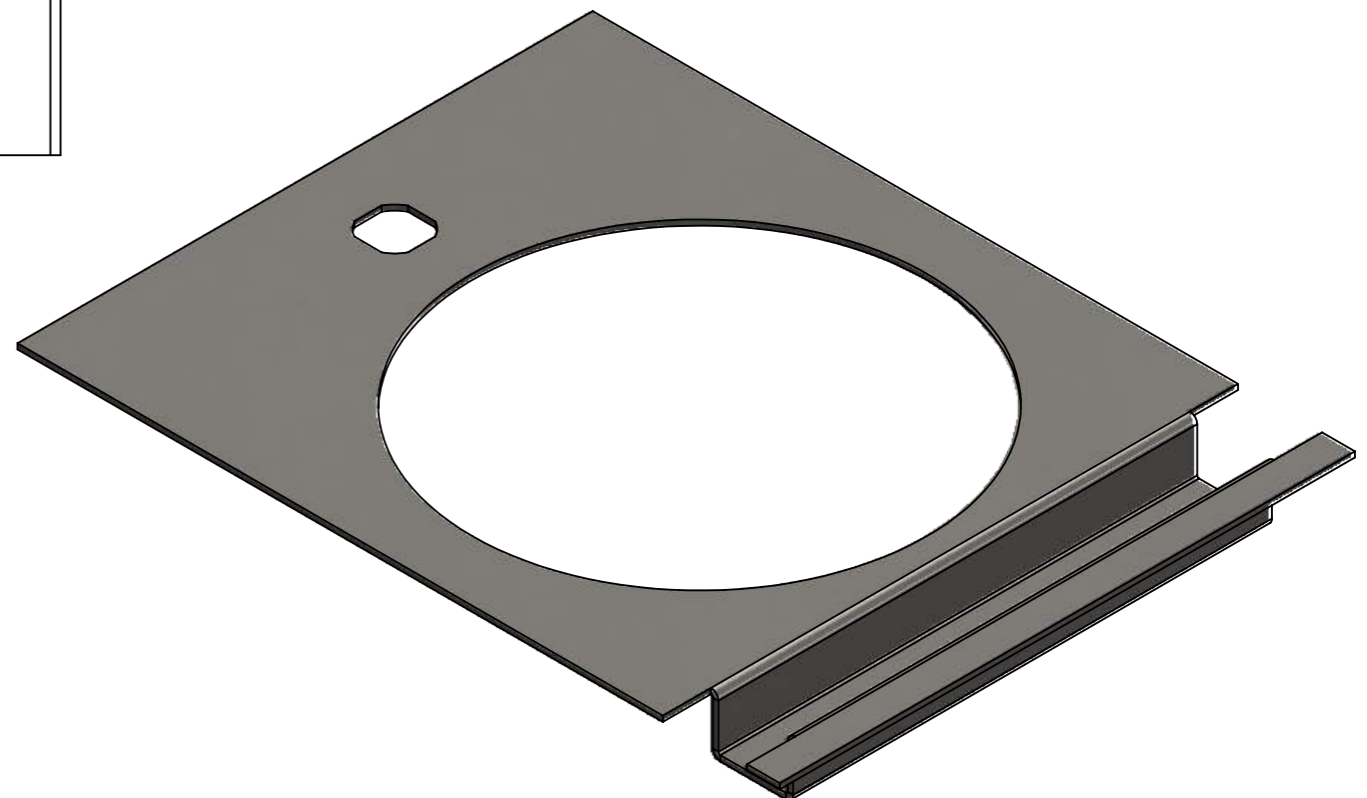
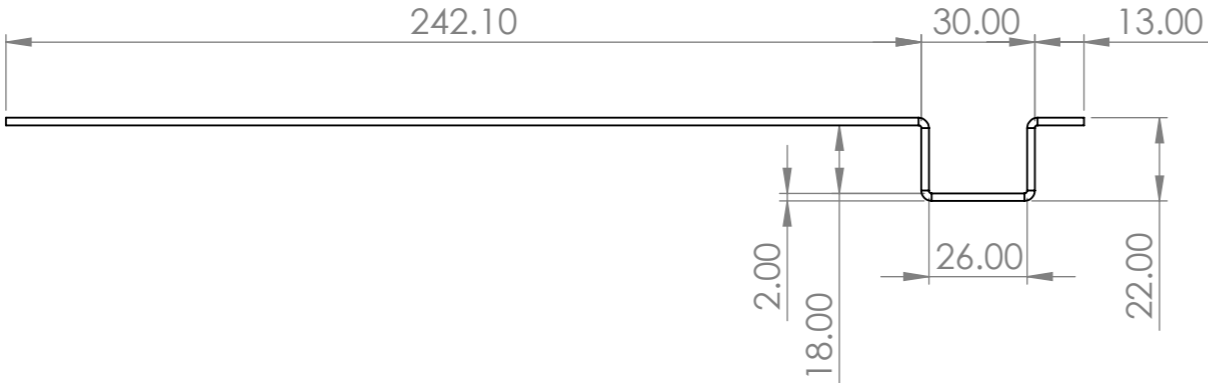
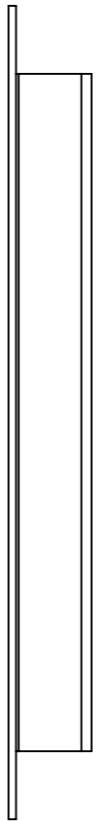
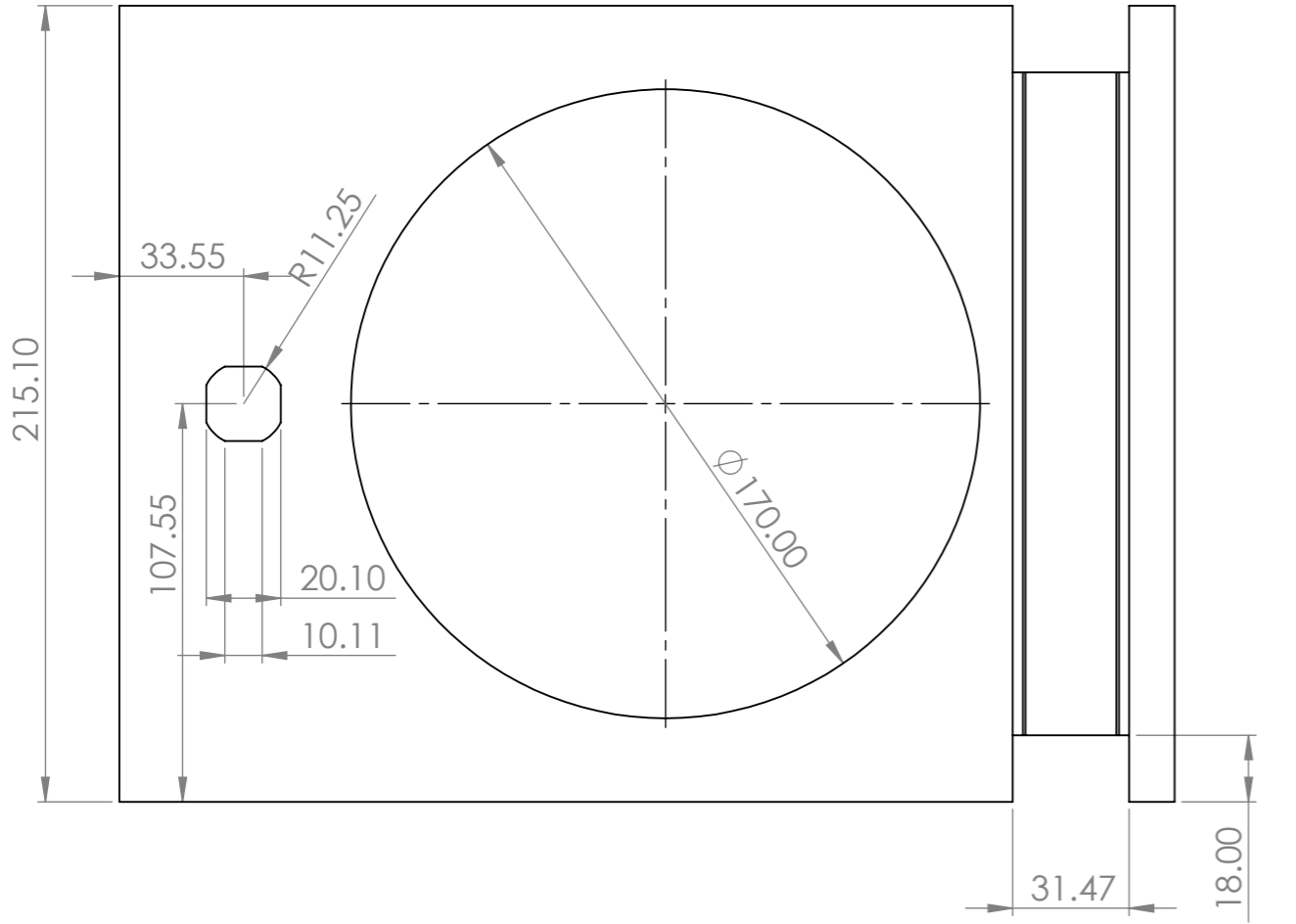
C

B

B

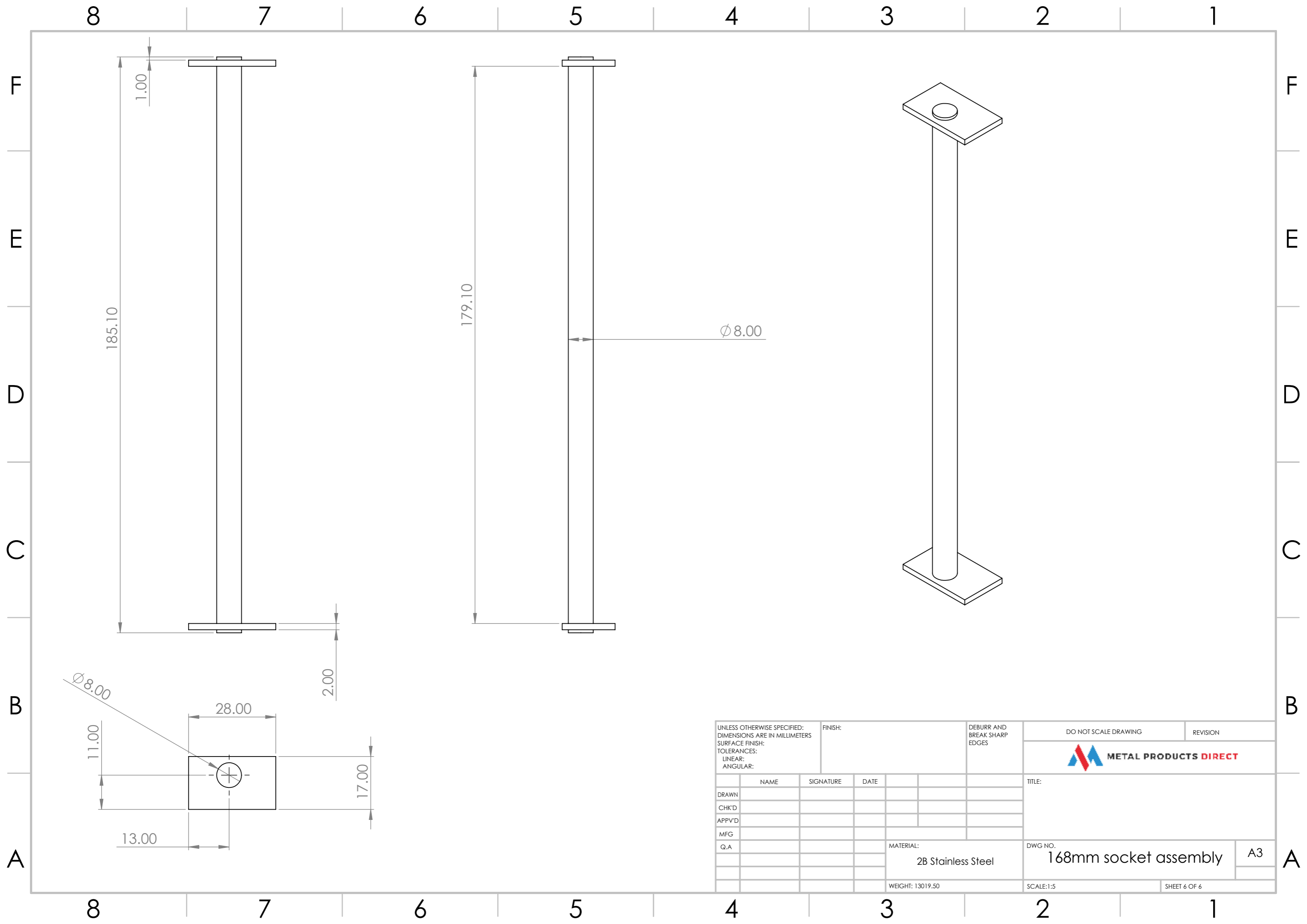
A

A



UNLESS OTHERWISE SPECIFIED: DIMENSIONS ARE IN MILLIMETERS SURFACE FINISH: TOLERANCES: LINEAR: ANGULAR:			FINISH:		DEBURR AND BREAK SHARP EDGES		DO NOT SCALE DRAWING		REVISION		
							TITLE:				
							MATERIAL: 2B Stainless Steel				
							DWG NO. 168mm socket assembly				
							WEIGHT: 13019.50				
							SCALE: 1:5				
							SHEET 5 OF 6				
							A3				

8 7 6 5 4 3 2 1



UNLESS OTHERWISE SPECIFIED: DIMENSIONS ARE IN MILLIMETERS SURFACE FINISH: TOLERANCES: LINEAR: ANGULAR:				FINISH:		DEBURR AND BREAK SHARP EDGES		DO NOT SCALE DRAWING		REVISION	
								TITLE:			
DRAWN				NAME		SIGNATURE		DATE		DWG NO.	
CHK'D										168mm socket assembly	
APPV'D										A3	
MFG										SCALE:1:5	
Q.A								MATERIAL: 2B Stainless Steel		SHEET 6 OF 6	
								WEIGHT: 13019.50			