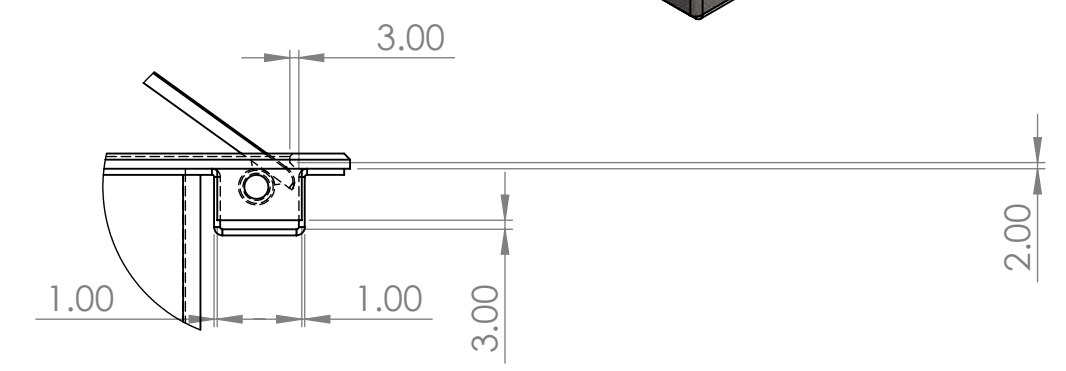
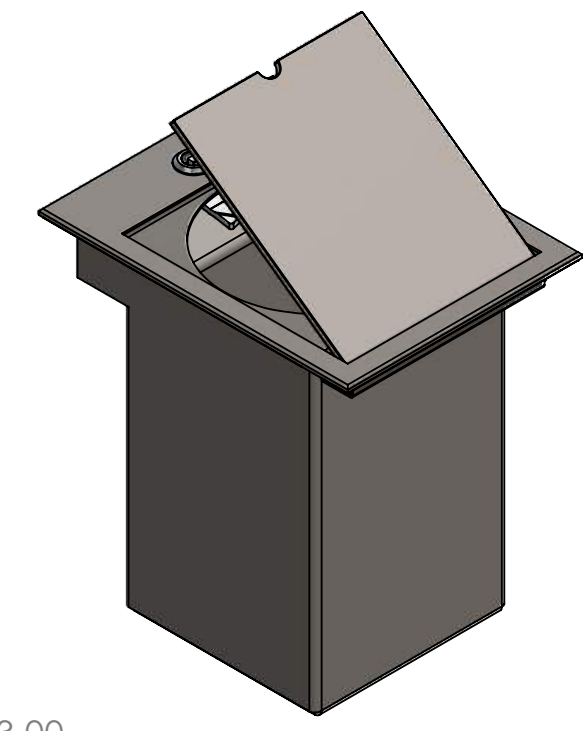
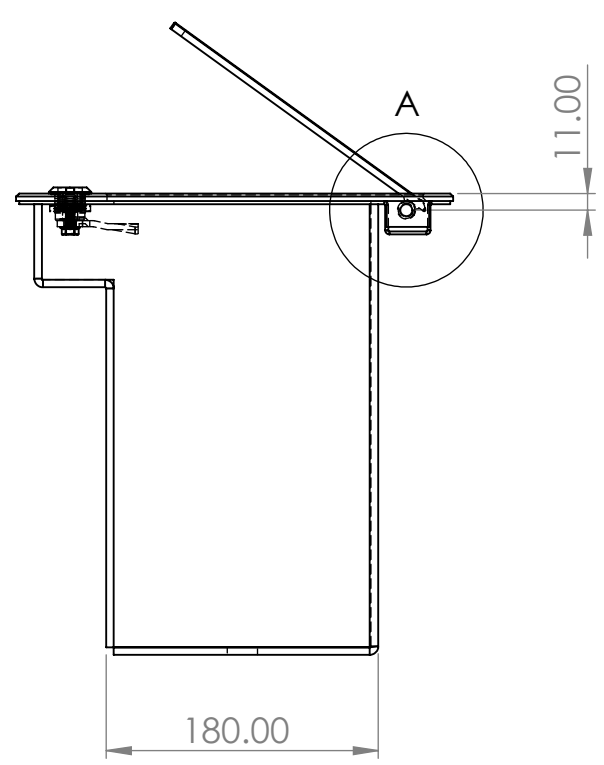
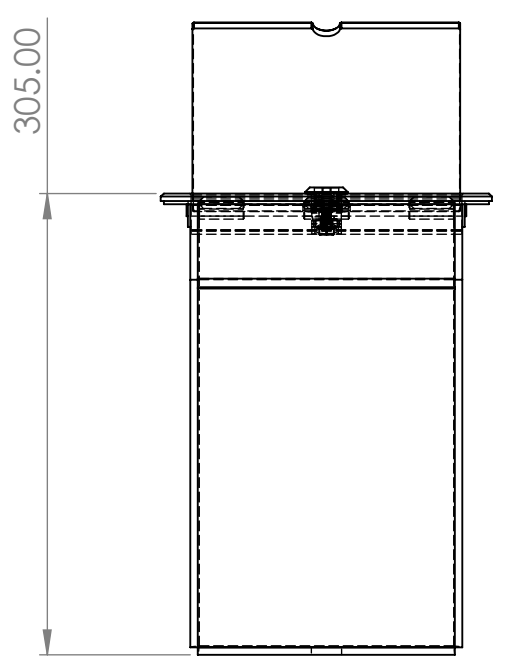
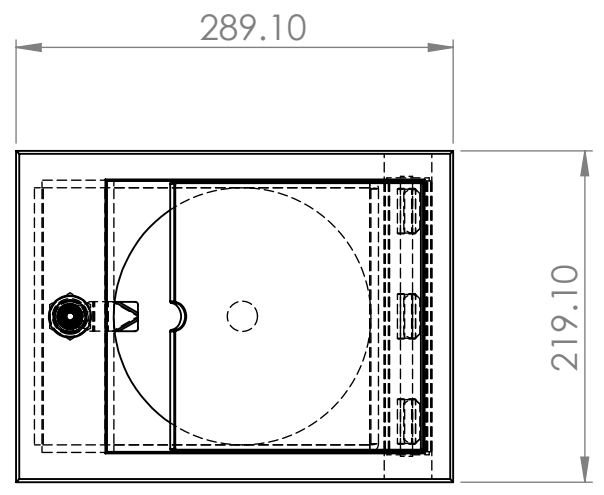


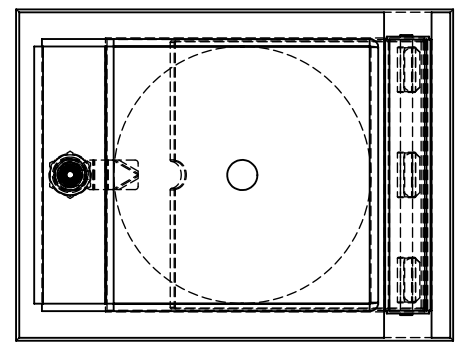
8 7 6 5 4 3 2 1

F
E
D
C
B
A

F
E
D
C
B
A



DETAIL A
SCALE 2 : 5



UNLESS OTHERWISE SPECIFIED: DIMENSIONS ARE IN MILLIMETERS SURFACE FINISH: TOLERANCES: LINEAR: ANGULAR:			FINISH:		DEBURR AND BREAK SHARP EDGES		DO NOT SCALE DRAWING		REVISION		
							TITLE:				
DRAWN			NAME		SIGNATURE		DATE		DWG NO. 168mm socket assembly		
CHK'D									A3		
APPV'D									SCALE:1:5		
MFG									SHEET 1 OF 6		
Q.A							MATERIAL: Material <not specified>				
							WEIGHT: 13019.50				

8 7 6 5 4 3 2 1

8 7 6 5 4 3 2 1

F

F

E

E

D

D

C

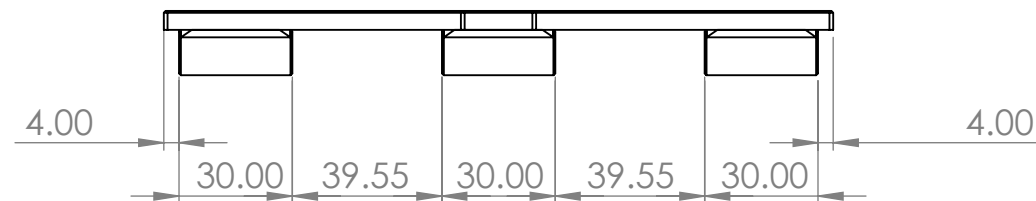
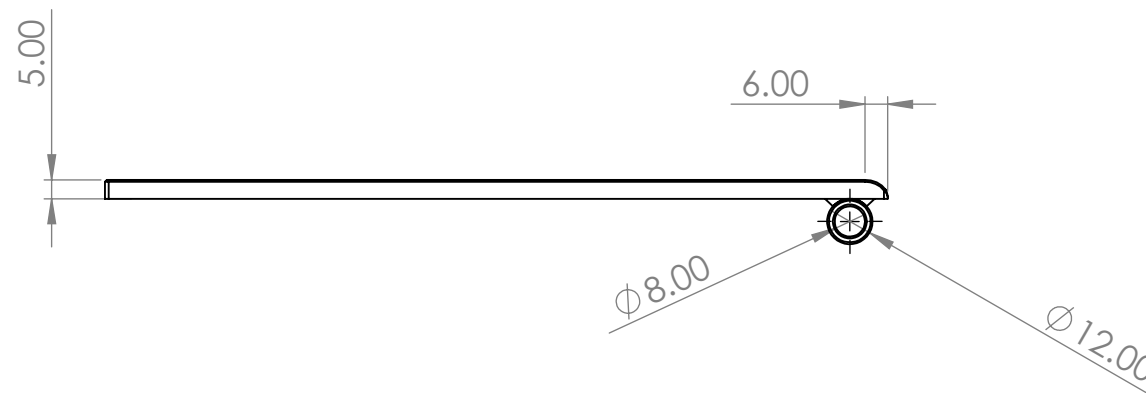
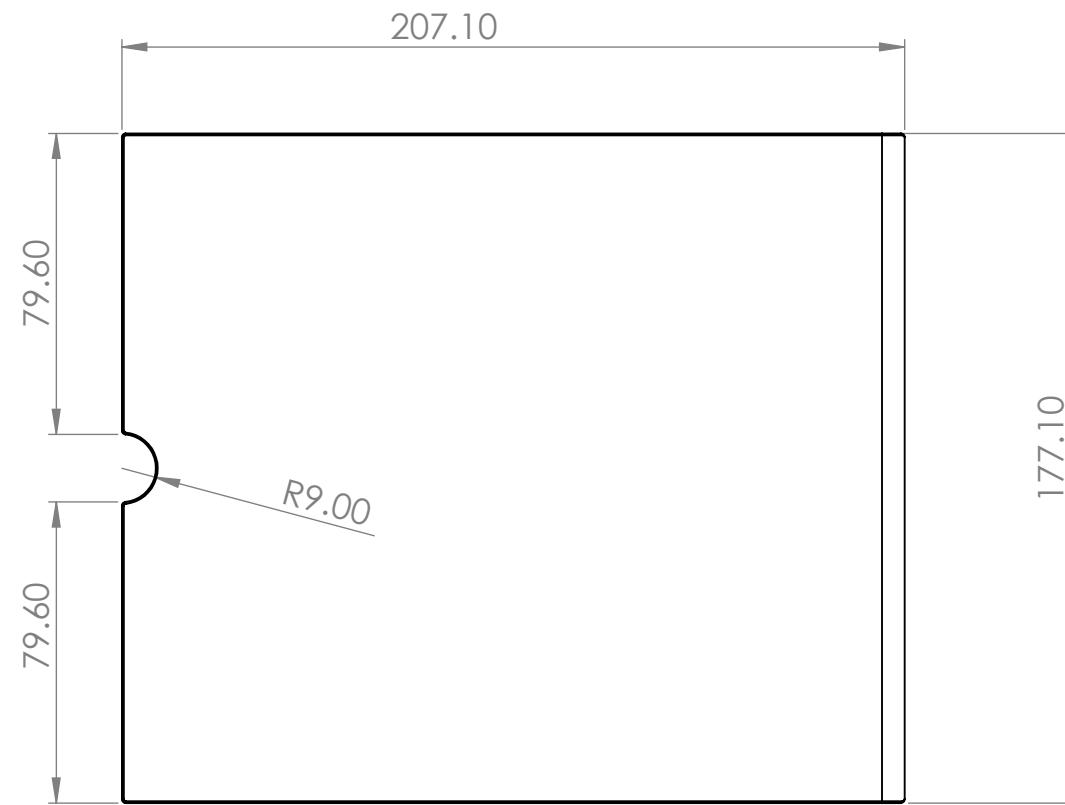
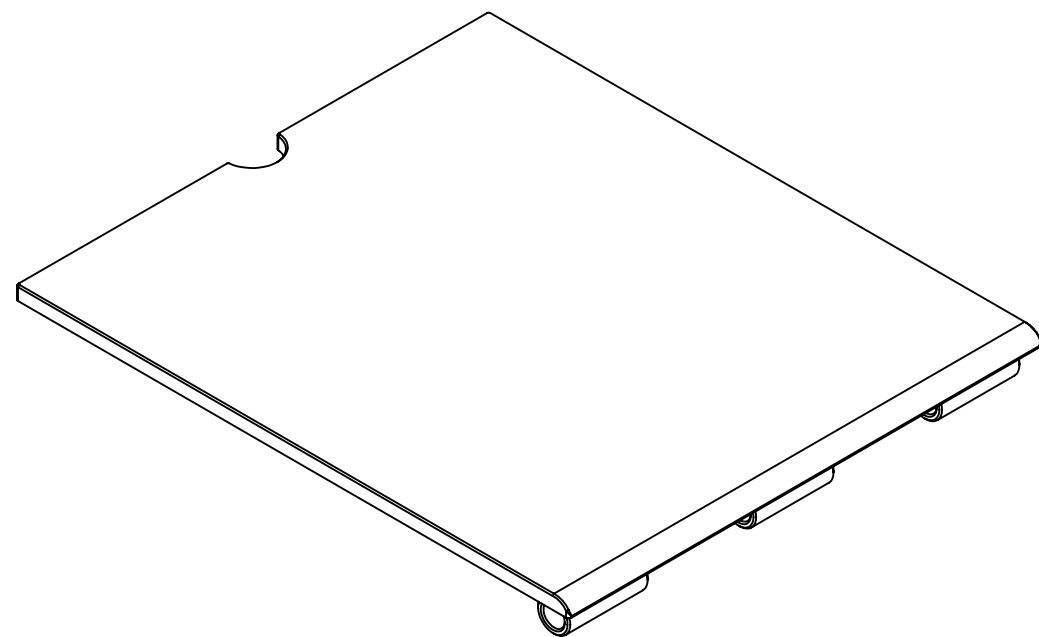
C

B

B

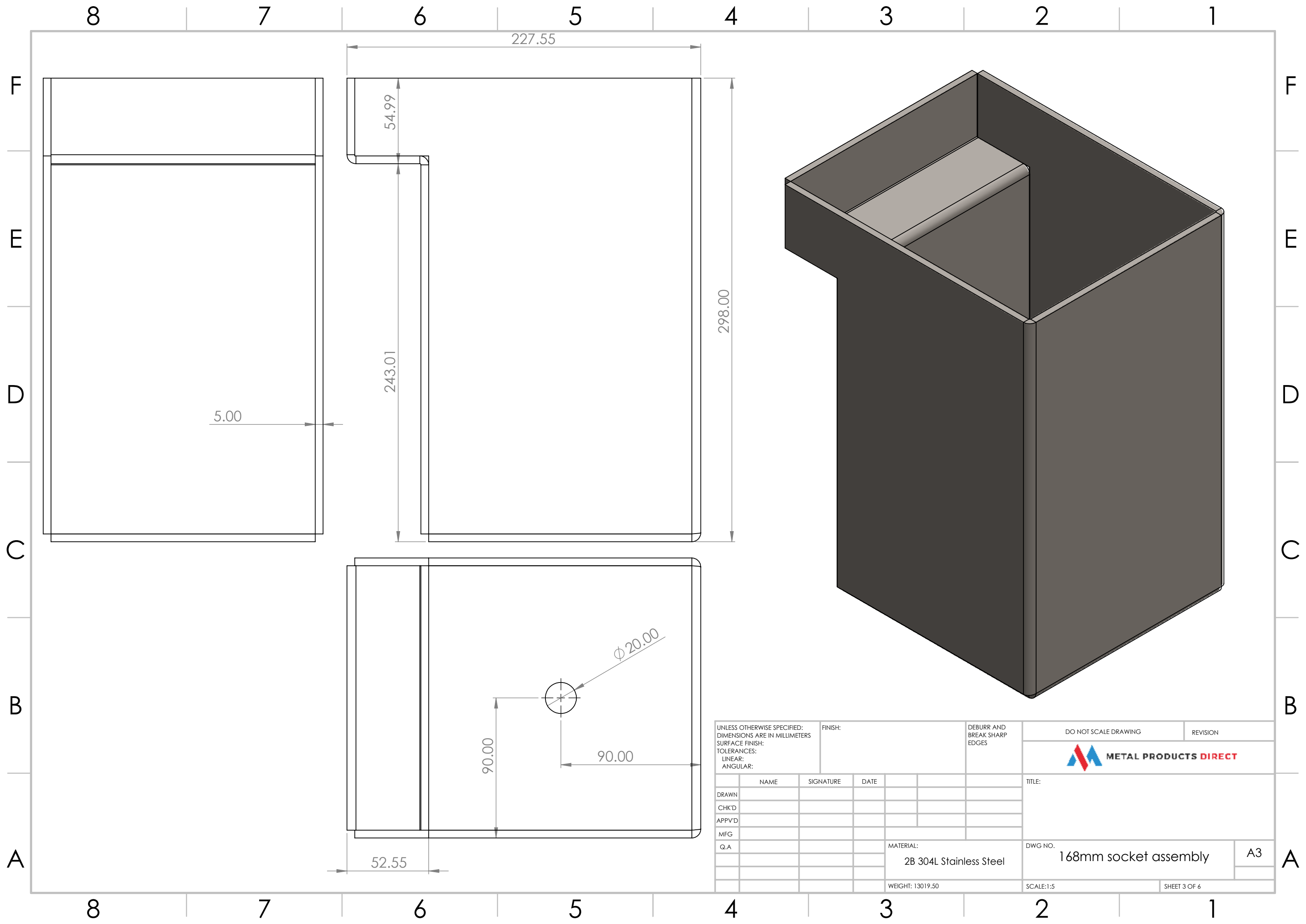
A


A



UNLESS OTHERWISE SPECIFIED: DIMENSIONS ARE IN MILLIMETERS SURFACE FINISH: TOLERANCES: LINEAR: ANGULAR:				FINISH:		DEBURR AND BREAK SHARP EDGES		DO NOT SCALE DRAWING		REVISION	
								TITLE:			
DRAWN				NAME		SIGNATURE		DATE		DWG NO.	
CHK'D										168mm socket assembly	
APPV'D										A3	
MFG										SCALE:1:5	
Q.A								MATERIAL: Polished Stainless Steel		SHEET 2 OF 6	
								WEIGHT: 13019.50			

8 7 6 5 4 3 2 1



UNLESS OTHERWISE SPECIFIED: DIMENSIONS ARE IN MILLIMETERS			FINISH:		DEBURR AND BREAK SHARP EDGES		DO NOT SCALE DRAWING		REVISION	
SURFACE FINISH:										
TOLERANCES:									TITLE:	
LINEAR:										
ANGULAR:										
DRAWN			NAME		SIGNATURE		DATE			
CHK'D										
APPV'D										
MFG										
Q.A										
							MATERIAL:		DWG NO.	
							2B 304L Stainless Steel		168mm socket assembly	
							WEIGHT: 13019.50		SCALE: 1:5	
									SHEET 3 OF 6	
									A3	

8 7 6 5 4 3 2 1

F

F

E

E

D

D

C

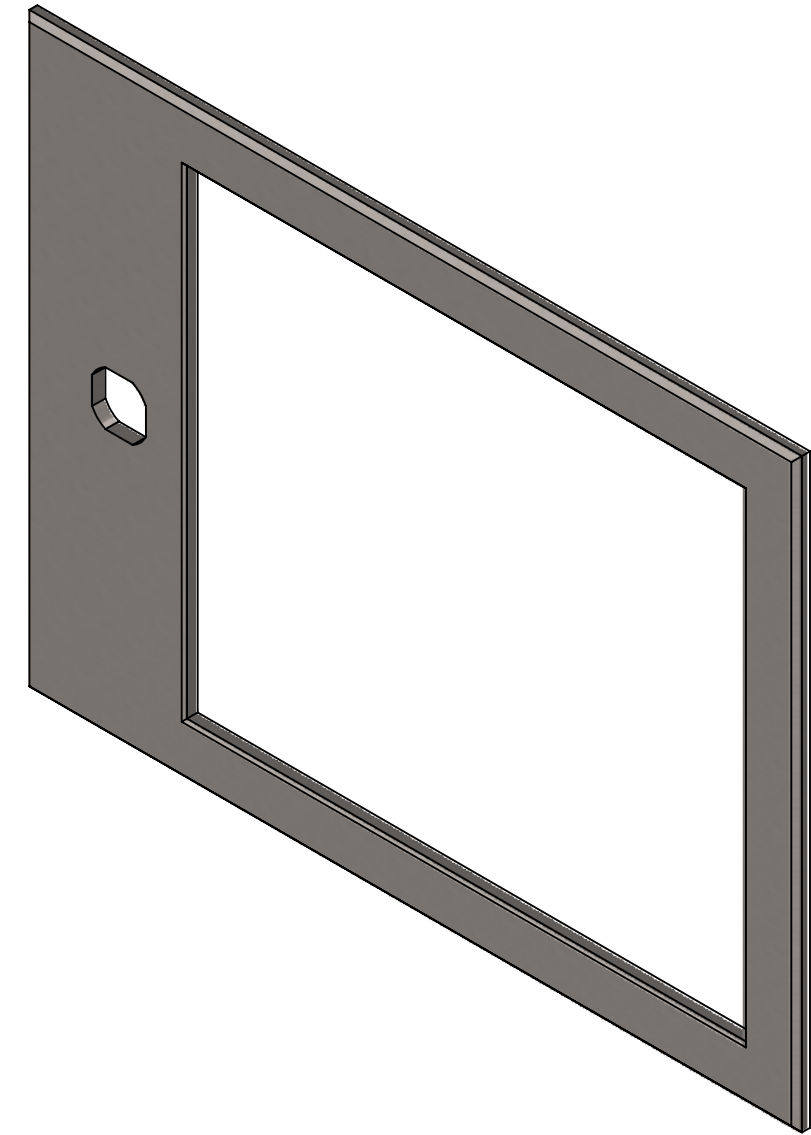
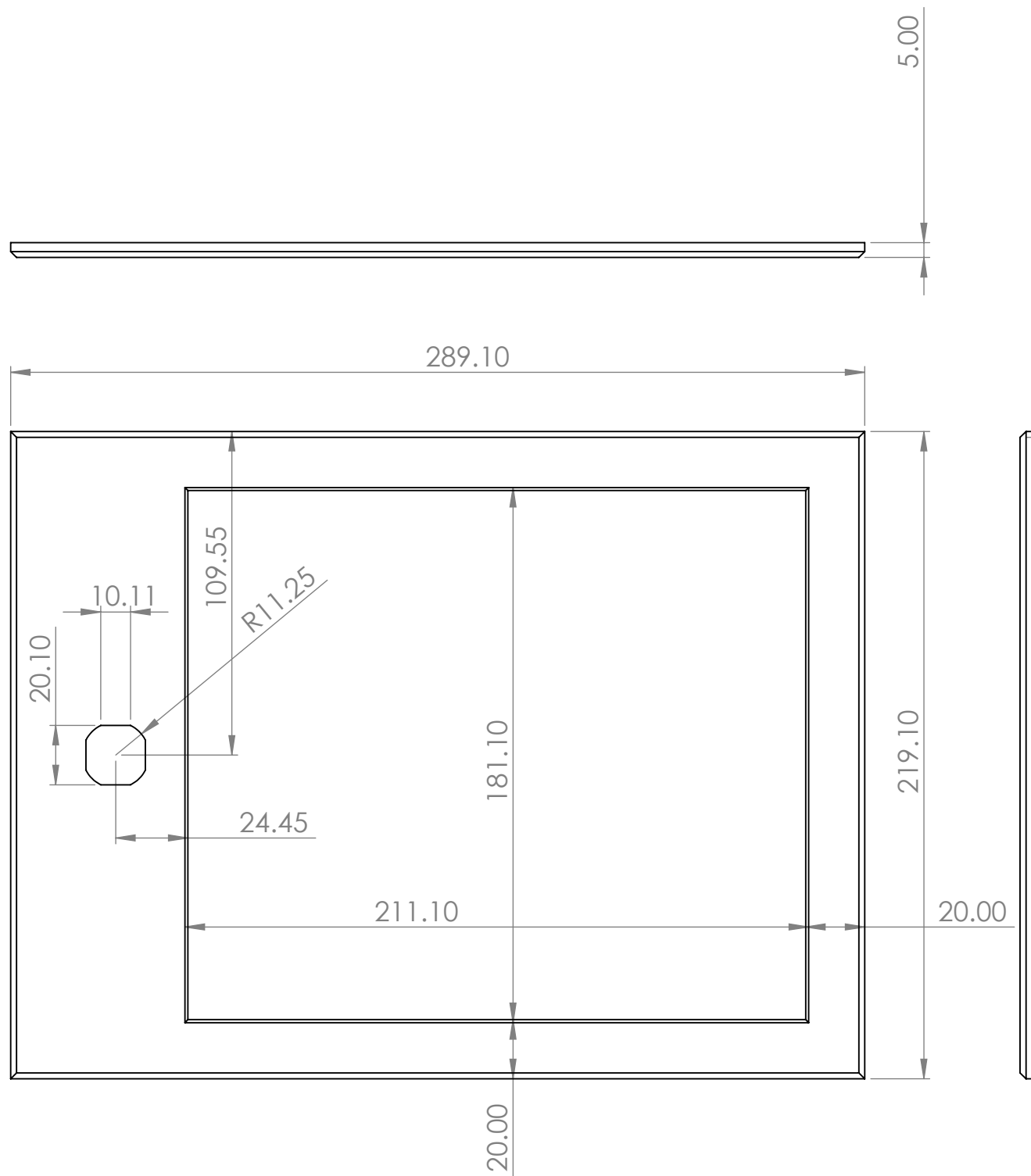
C

B

B

A

A



UNLESS OTHERWISE SPECIFIED: DIMENSIONS ARE IN MILLIMETERS SURFACE FINISH: TOLERANCES: LINEAR: ANGULAR:				FINISH:		DEBURR AND BREAK SHARP EDGES		DO NOT SCALE DRAWING		REVISION	
								TITLE:			
DRAWN				NAME		SIGNATURE		DATE		MATERIAL:	
CHK'D										Polished SAstainless steel	
APPV'D										DWG NO.	
MFG										168mm socket assembly	
Q.A										A3	
								WEIGHT: 13019.50		SCALE:1:5	
								SHEET 4 OF 6			

8 7 6 5 4 3 2 1

8 7 6 5 4 3 2 1

F

F

E

E

D

D

C

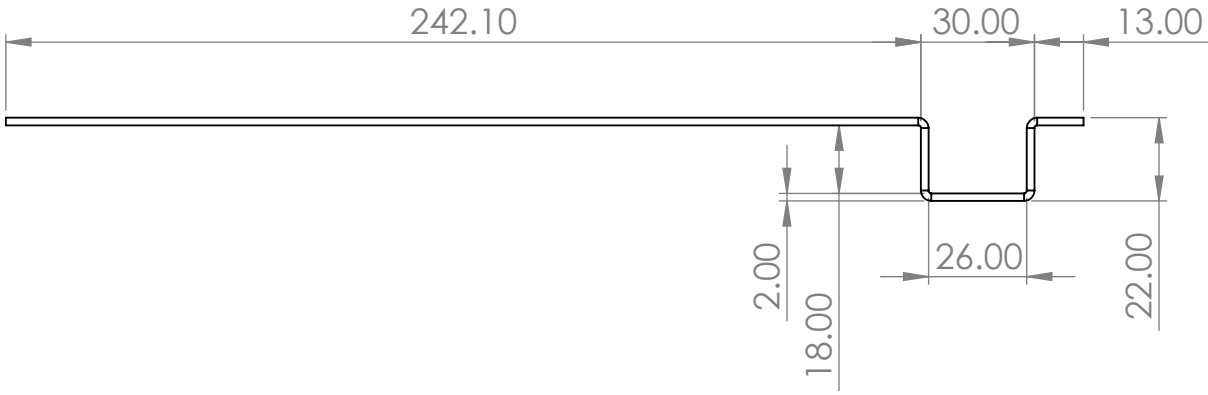
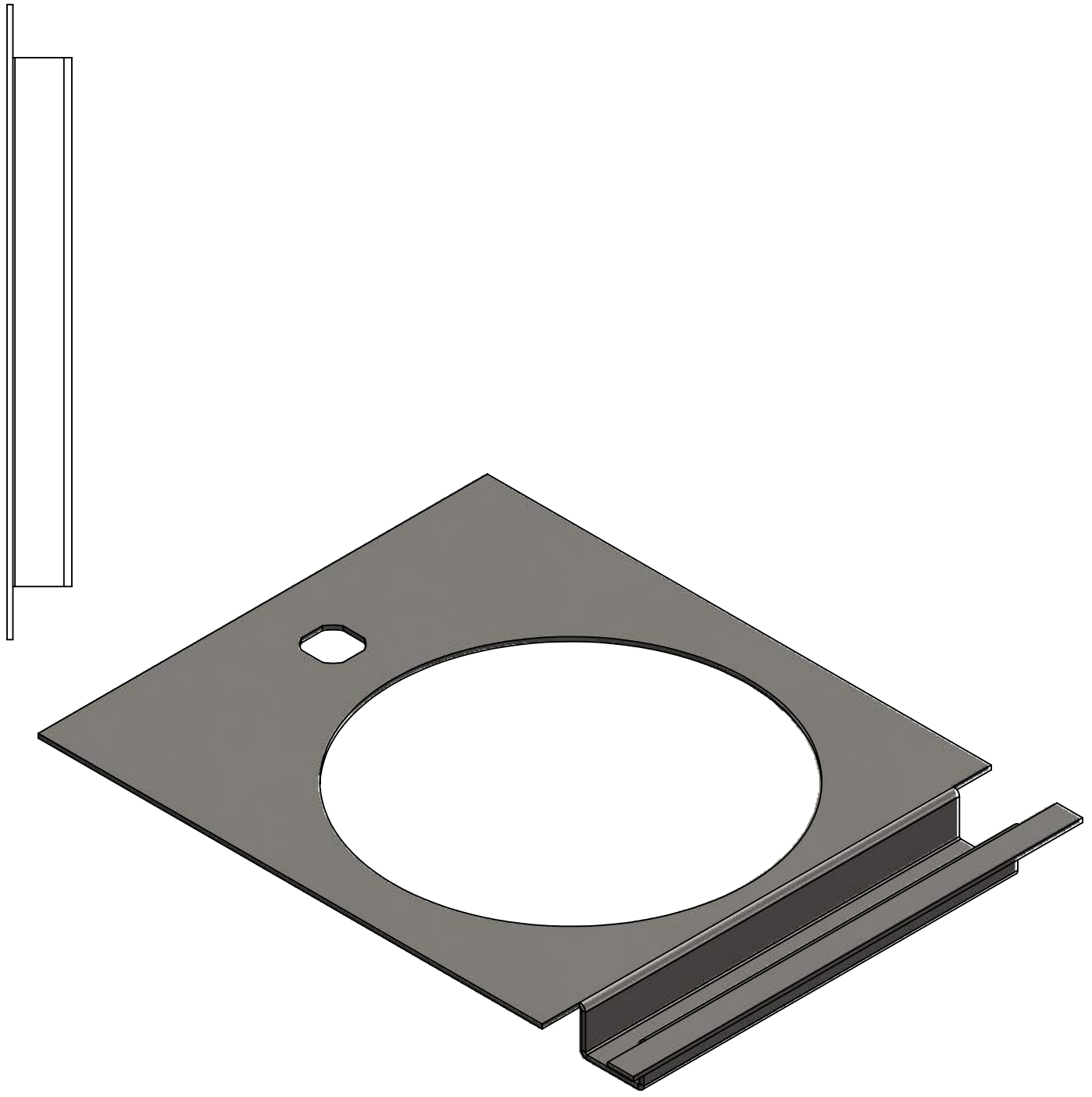
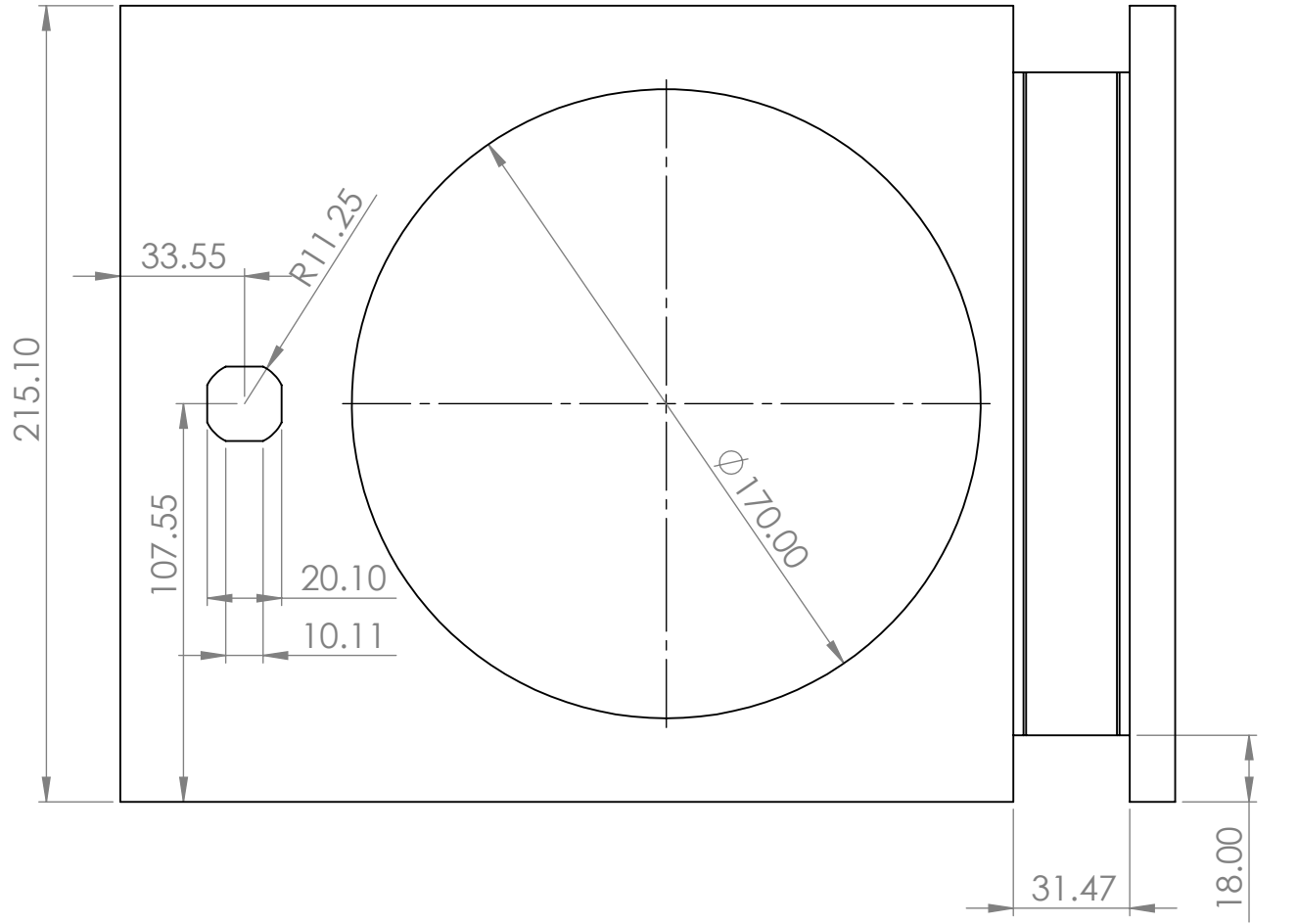
C

B

B

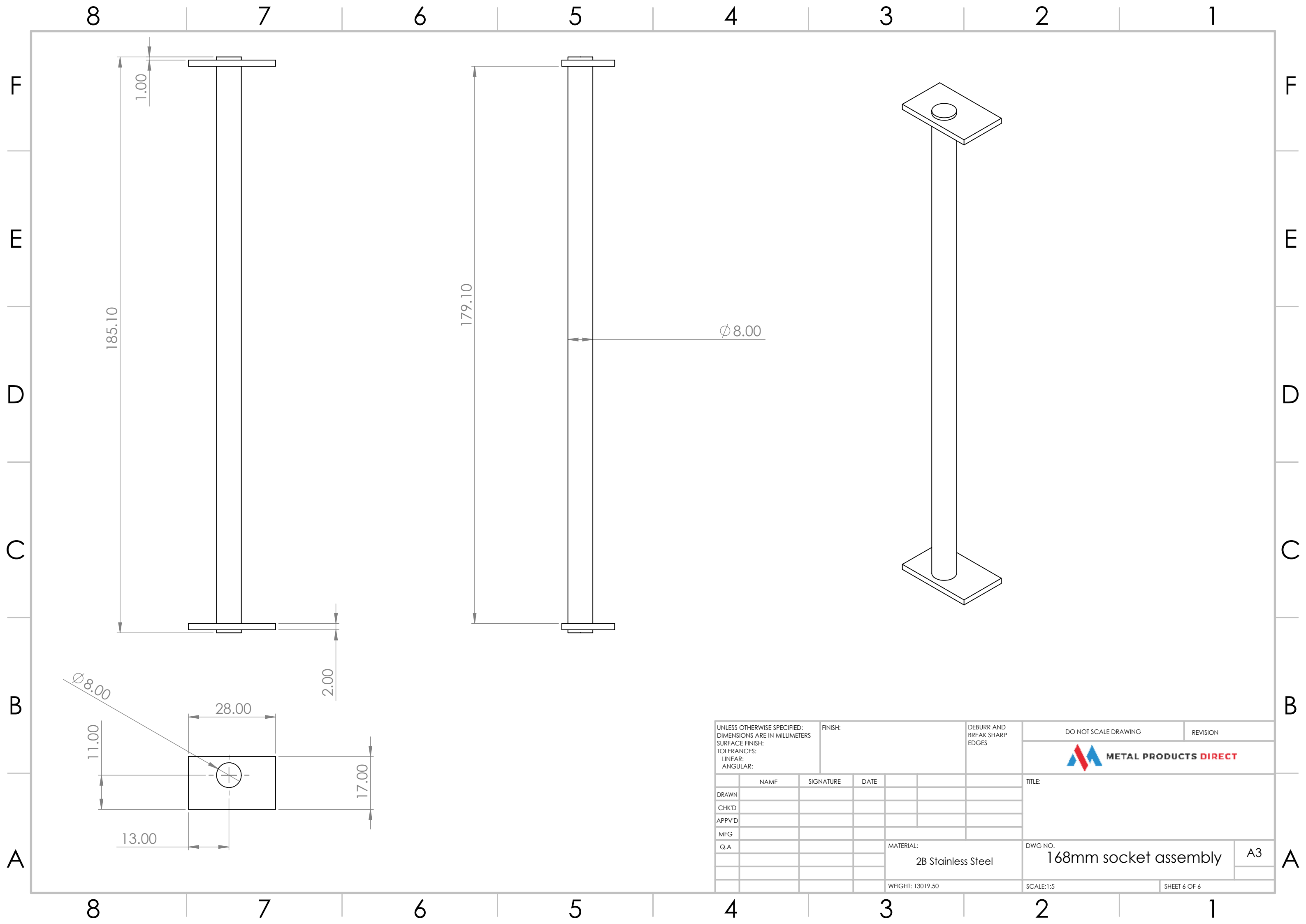
A

A



UNLESS OTHERWISE SPECIFIED: DIMENSIONS ARE IN MILLIMETERS SURFACE FINISH: TOLERANCES: LINEAR: ANGULAR:				FINISH:		DEBURR AND BREAK SHARP EDGES		DO NOT SCALE DRAWING		REVISION	
								TITLE:			
DRAWN				NAME		SIGNATURE		DATE		DWG NO.	
CHK'D										168mm socket assembly	
APPV'D										A3	
MFG										SCALE:1:5	
Q.A								MATERIAL: 2B Stainless Steel		SHEET 5 OF 6	
								WEIGHT: 13019.50			

8 7 6 5 4 3 2 1



UNLESS OTHERWISE SPECIFIED: DIMENSIONS ARE IN MILLIMETERS SURFACE FINISH: TOLERANCES: LINEAR: ANGULAR:				FINISH:		DEBURR AND BREAK SHARP EDGES		DO NOT SCALE DRAWING		REVISION	
								TITLE:			
DRAWN				NAME		SIGNATURE		DATE		DWG NO.	
CHK'D										168mm socket assembly	
APPV'D										A3	
MFG										SCALE: 1:5	
Q.A								MATERIAL: 2B Stainless Steel		SHEET 6 OF 6	
								WEIGHT: 13019.50			