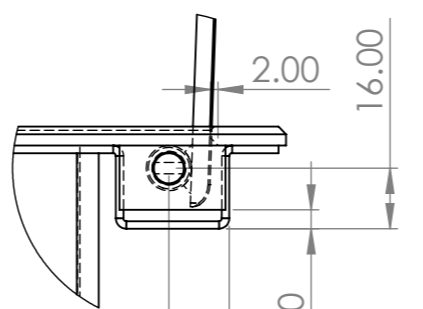


DETAIL B
SCALE 1 : 2



DETAIL A
SCALE 1 : 2

2no Stainless
steel split pins

UNLESS OTHERWISE SPECIFIED: DIMENSIONS ARE IN MILLIMETERS			FINISH:		DEBURR AND BREAK SHARP EDGES		DO NOT SCALE DRAWING		REVISION	
SURFACE FINISH:			0.0				METAL PRODUCTS DIRECT			
TOLERANCES:							TITLE:		168mm Galv Socket	
LINEAR:							DRAWN			
ANGULAR:							CHK'D			
							APPV'D			
							MFG			
							Q.A			
					MATERIAL:		DWG NO.		A3	
					Galvanized Steel		168mm Galv Socket Asy			
					WEIGHT: 12810.21		SCALE: 1:5		SHEET 1 OF 6	

8 7 6 5 4 3 2 1

F

F

E

E

D

D

C

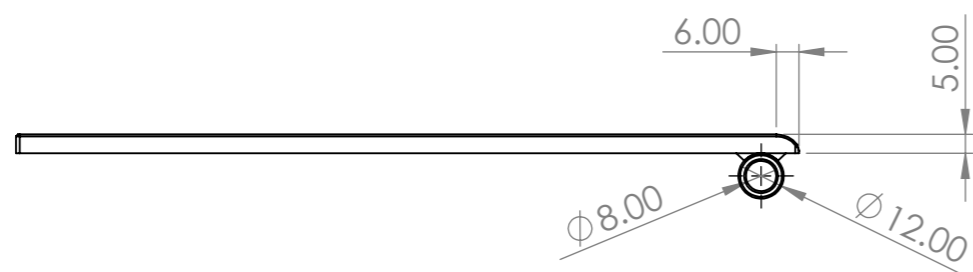
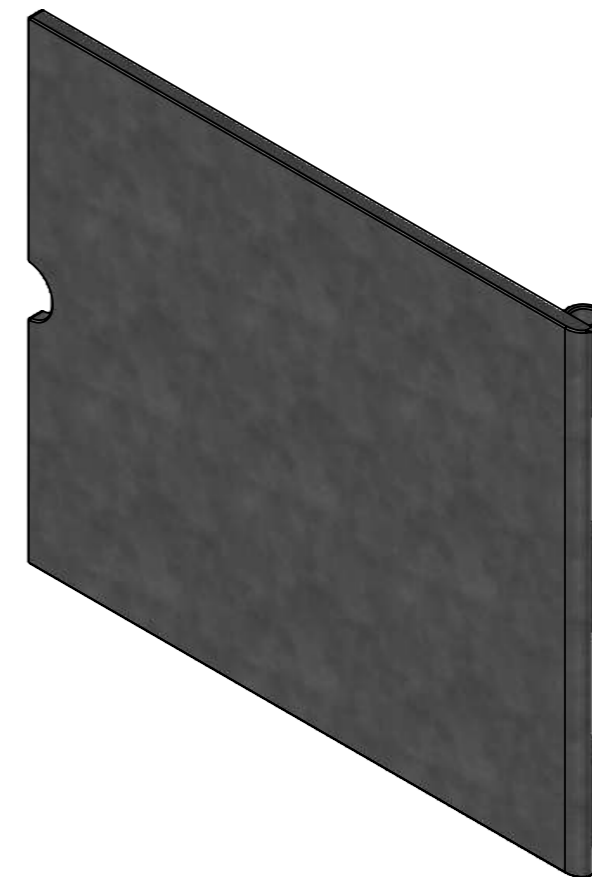
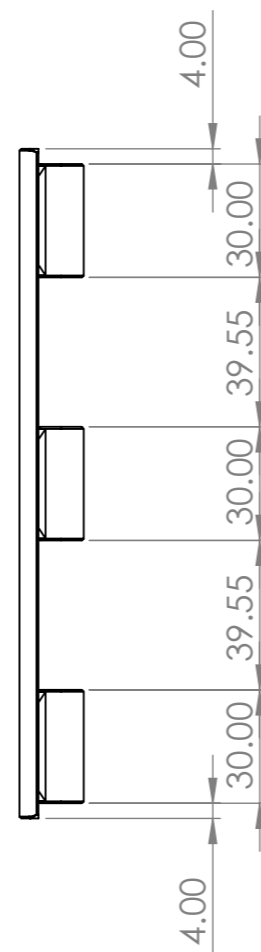
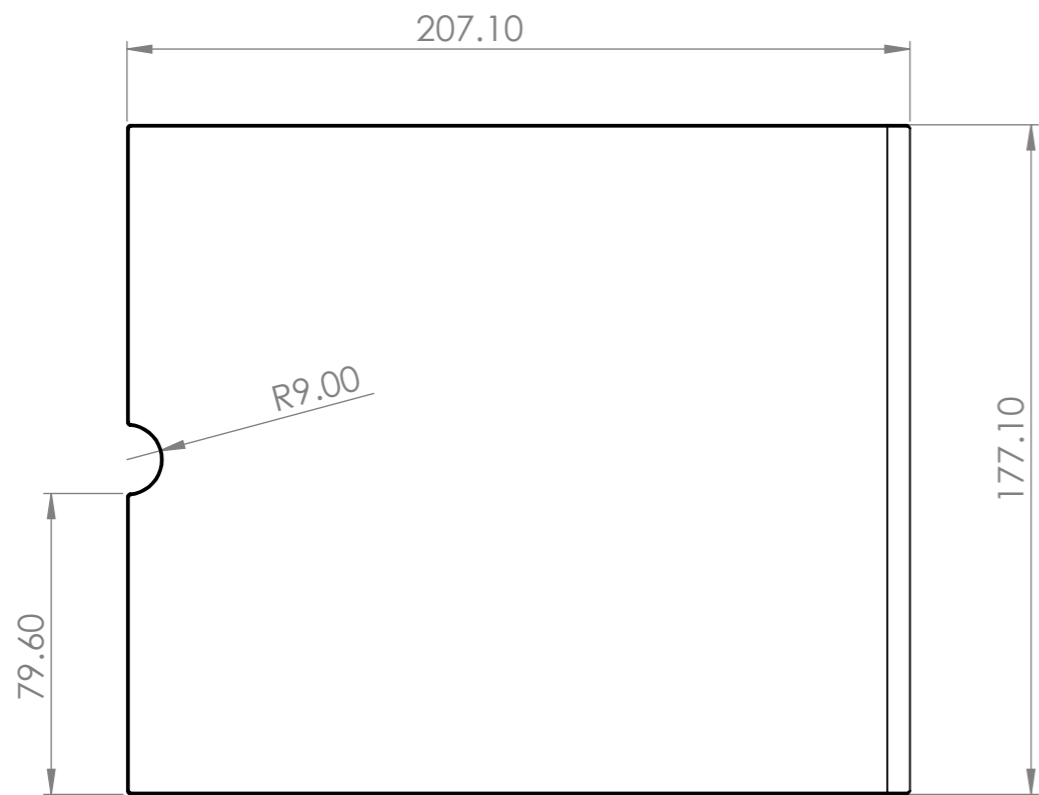
C


B

B

A

A



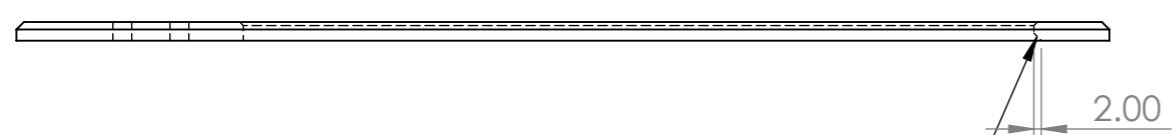
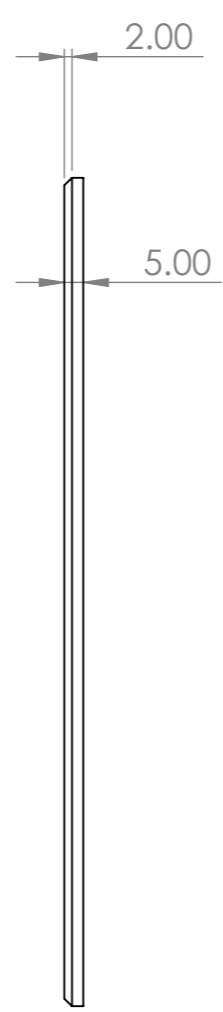
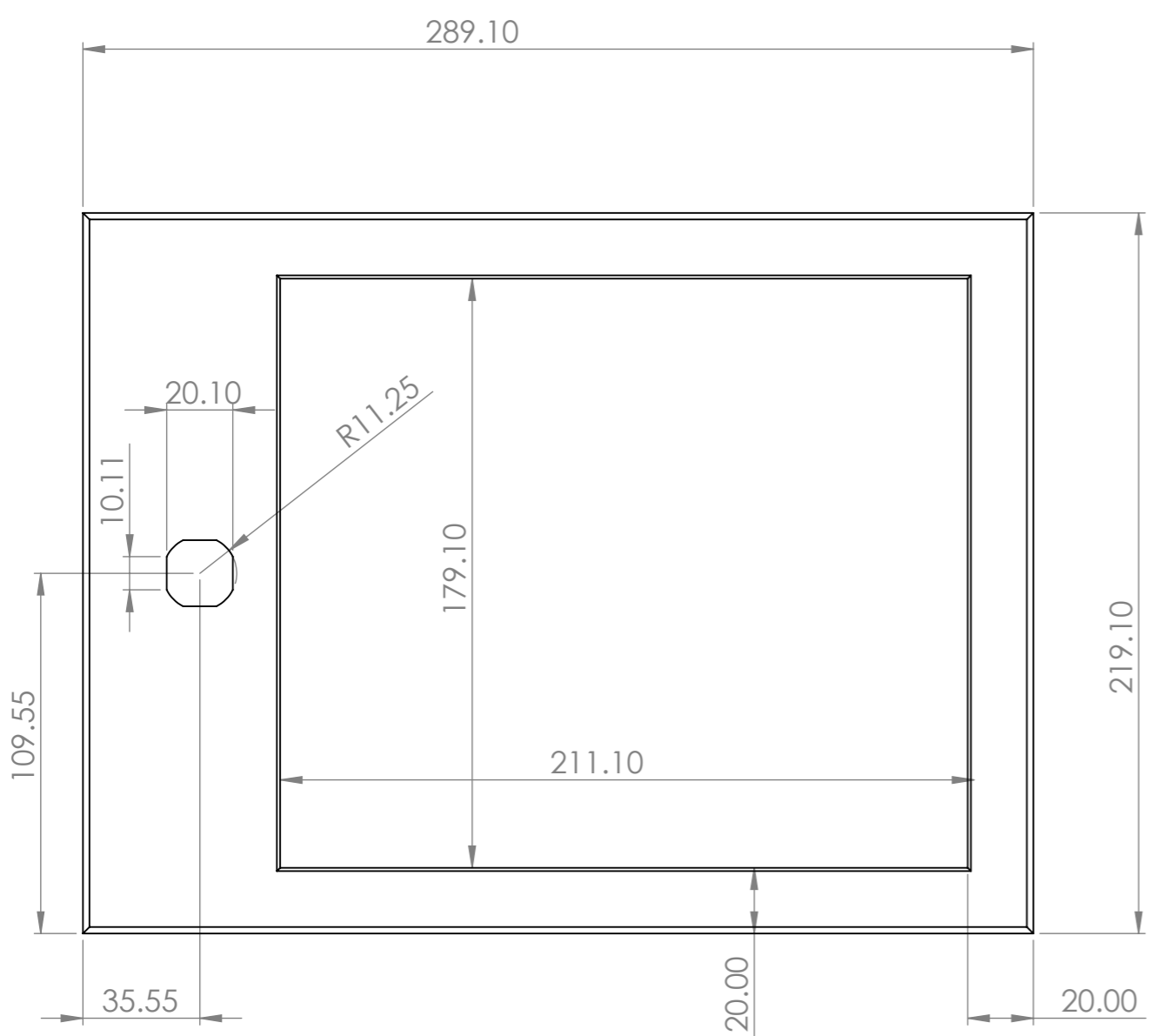
UNLESS OTHERWISE SPECIFIED: DIMENSIONS ARE IN MILLIMETERS				FINISH:		DEBURR AND BREAK SHARP EDGES		DO NOT SCALE DRAWING		REVISION					
SURFACE FINISH:				0.0											
TOLERANCES:															
LINEAR:								TITLE: <h1>168mm Galv Flip Lid</h1>							
ANGULAR:															
DRAWN		NAME		SIGNATURE		DATE						DWG NO.		A3	
CHK'D												168mm Galv Socket Asy			
APPV'D												SCALE:1:5		SHEET 2 OF 6	
MFG								MATERIAL:							
Q.A								Galvanized Steel							
								WEIGHT: 12810.21							

8 7 6 5 4 3 2 1


8 7 6 5 4 3 2 1

F
E
D
C
B
A

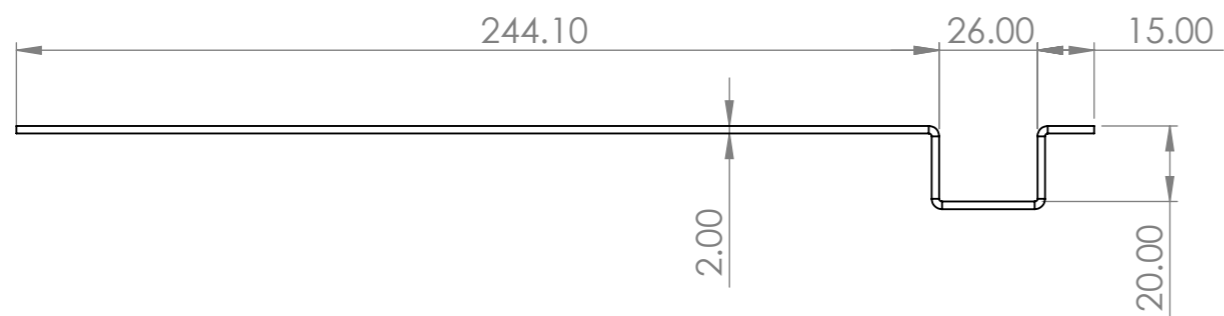
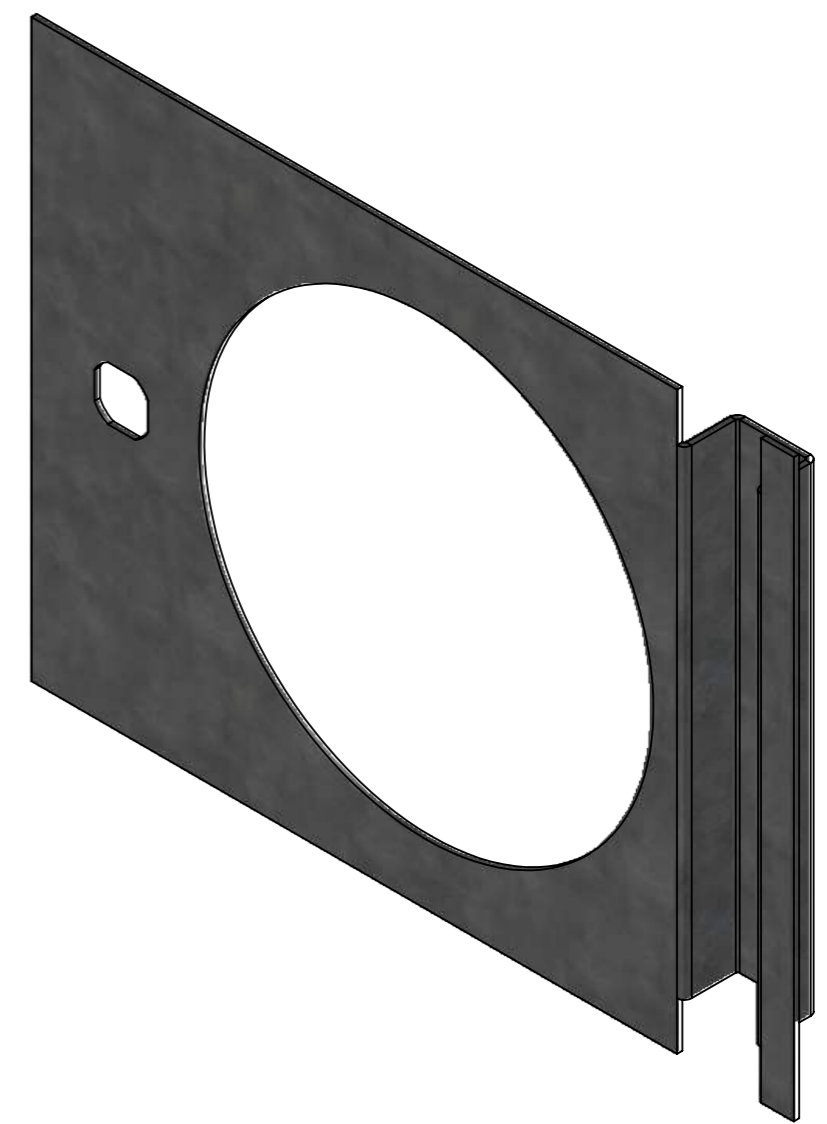
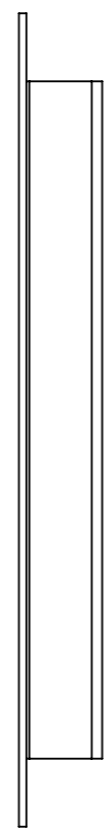
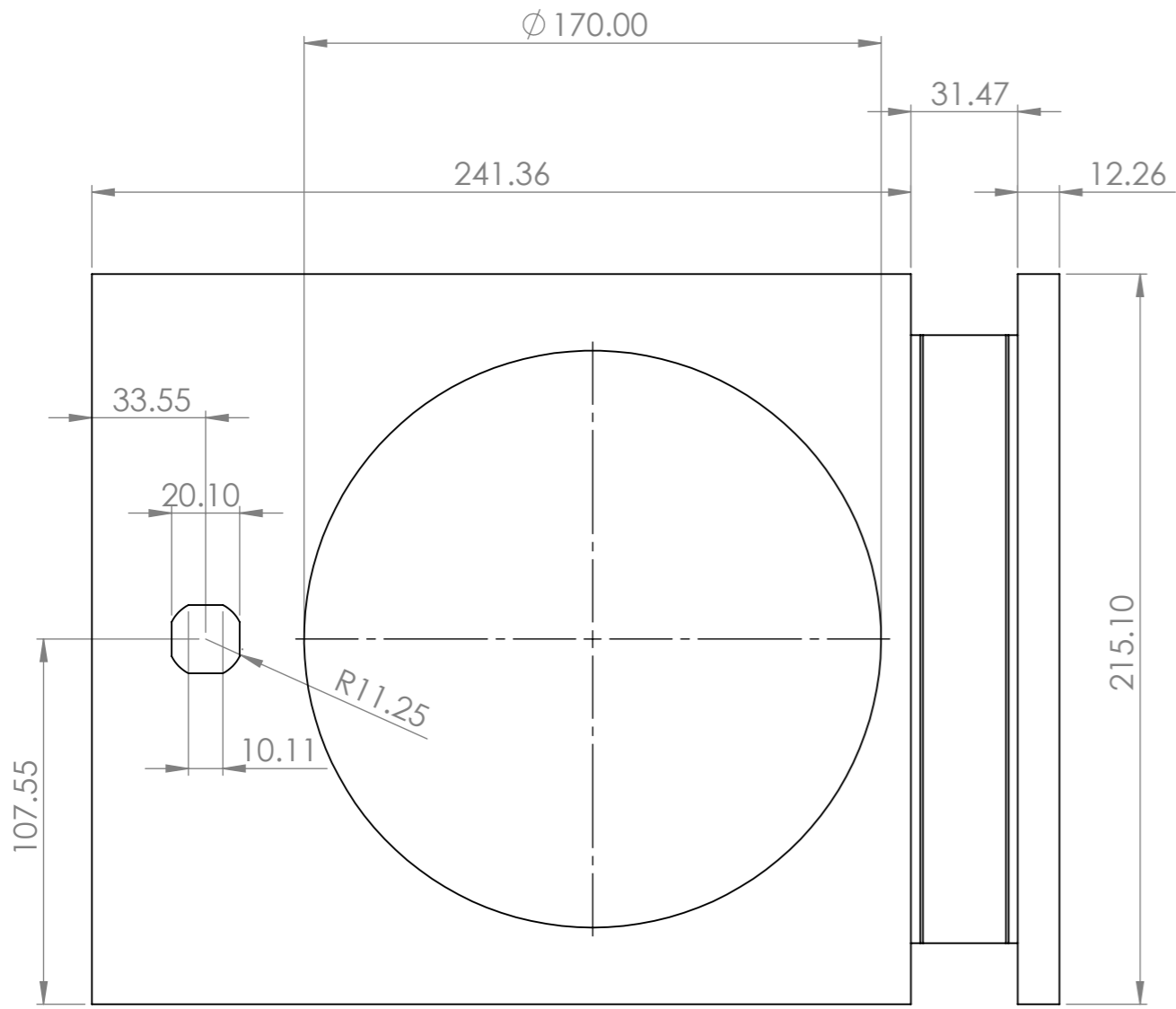
F
E
D
C
B
A



2mm Chamfer to allow for hinge

UNLESS OTHERWISE SPECIFIED: DIMENSIONS ARE IN MILLIMETERS SURFACE FINISH: TOLERANCES: LINEAR: ANGULAR:		FINISH: 0.0	DEBURR AND BREAK SHARP EDGES	DO NOT SCALE DRAWING	REVISION
					
				TITLE: 168mm Galv Ground Plate	
DRAWN		SIGNATURE		DWG NO. 168mm Galv Socket Asy	
CHK'D		DATE		A3	
APPV'D				SCALE: 1:2	
MFG		MATERIAL: Galvanized Steel		SHEET 3 OF 6	
Q.A		WEIGHT: 12810.21			

8 7 6 5 4 3 2 1



UNLESS OTHERWISE SPECIFIED: DIMENSIONS ARE IN MILLIMETERS SURFACE FINISH: TOLERANCES: LINEAR: ANGULAR:				FINISH: Galvanized		DEBURR AND BREAK SHARP EDGES		DO NOT SCALE DRAWING		REVISION			
								TITLE: 168mm Galv Guide Plate					
								DWG NO. 168mm Galv Socket Asy		A3			
								WEIGHT: 12810.21		SCALE: 1:2		SHEET 4 OF 6	
DRAWN	NAME	SIGNATURE	DATE										
CHK'D													
APPV'D													
MFG													
Q.A													
						MATERIAL: Galvanized Steel							

8 7 6 5 4 3 2 1

F

F

E

E

D

D

C

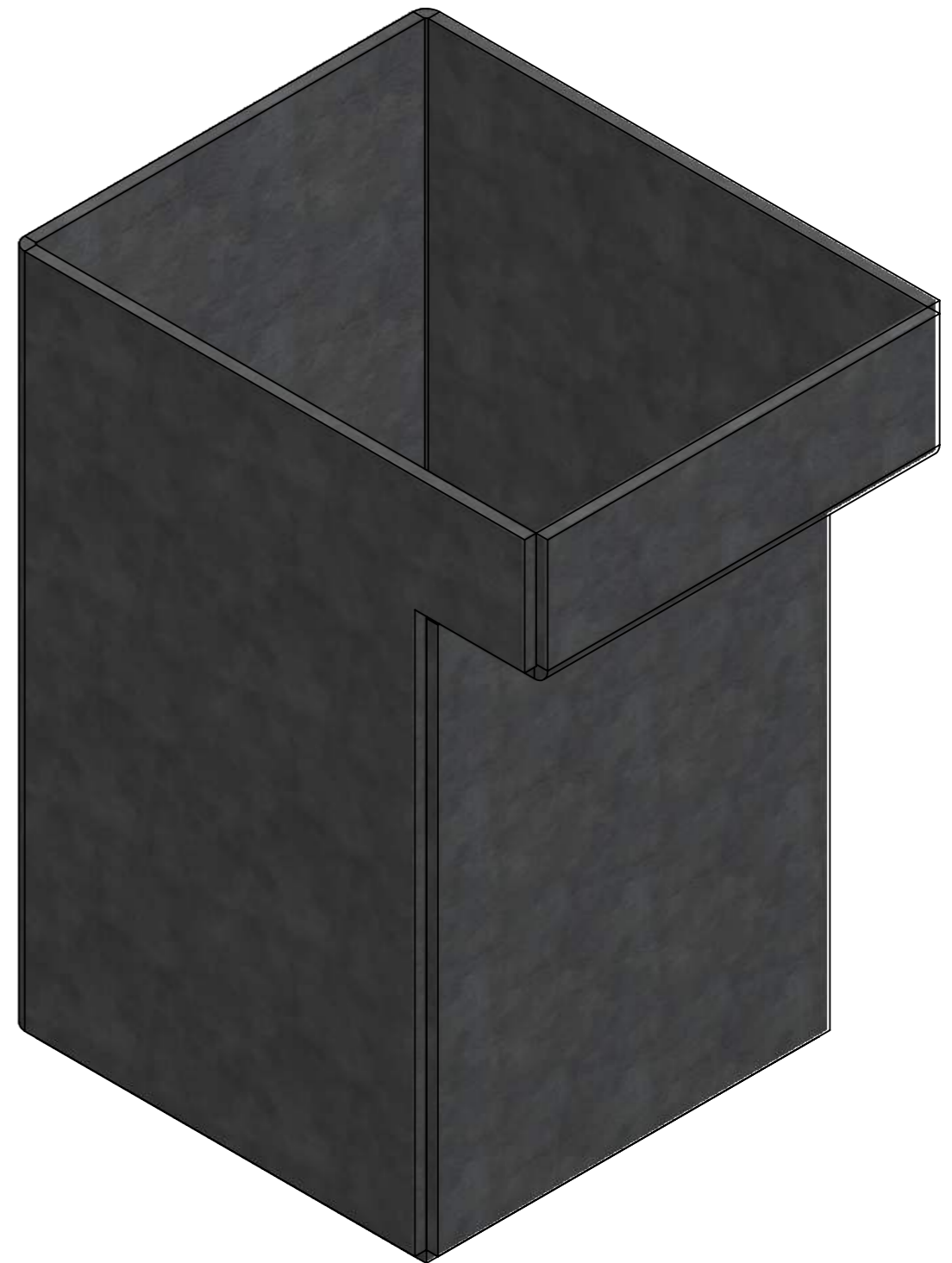
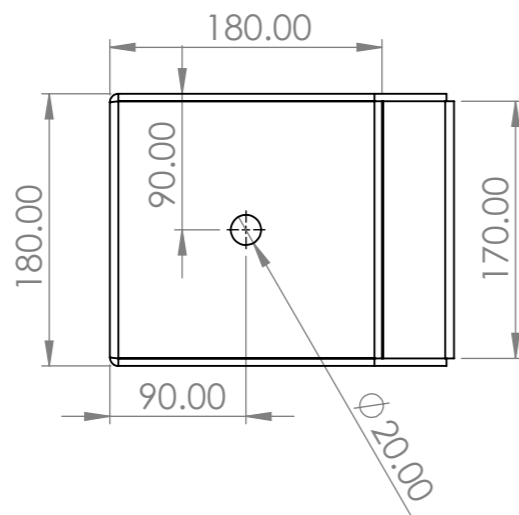
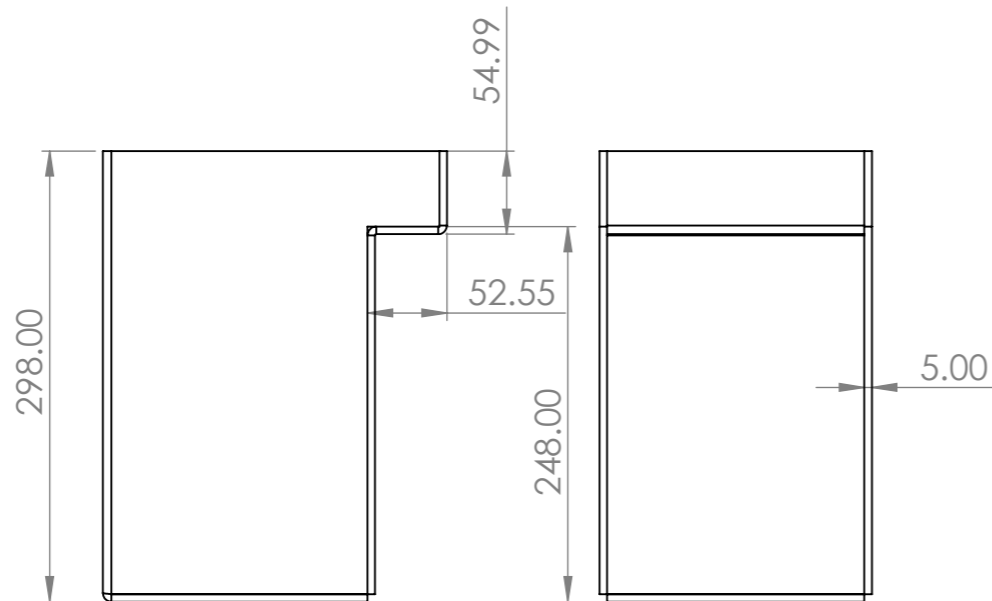
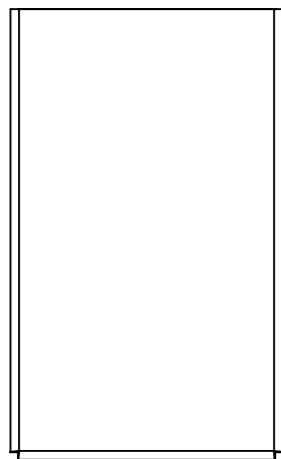
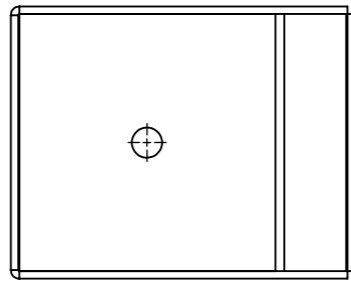
C

B

B

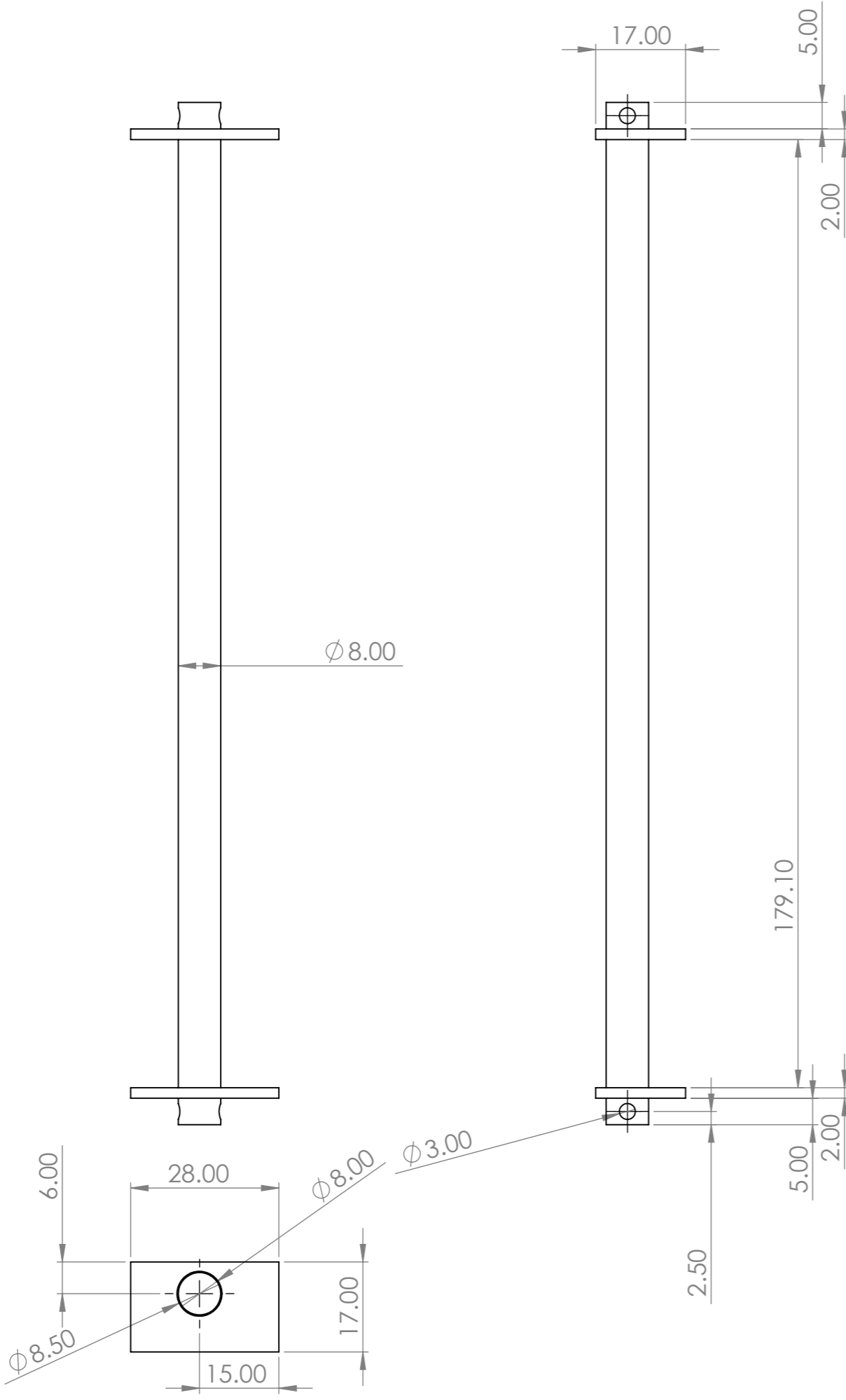
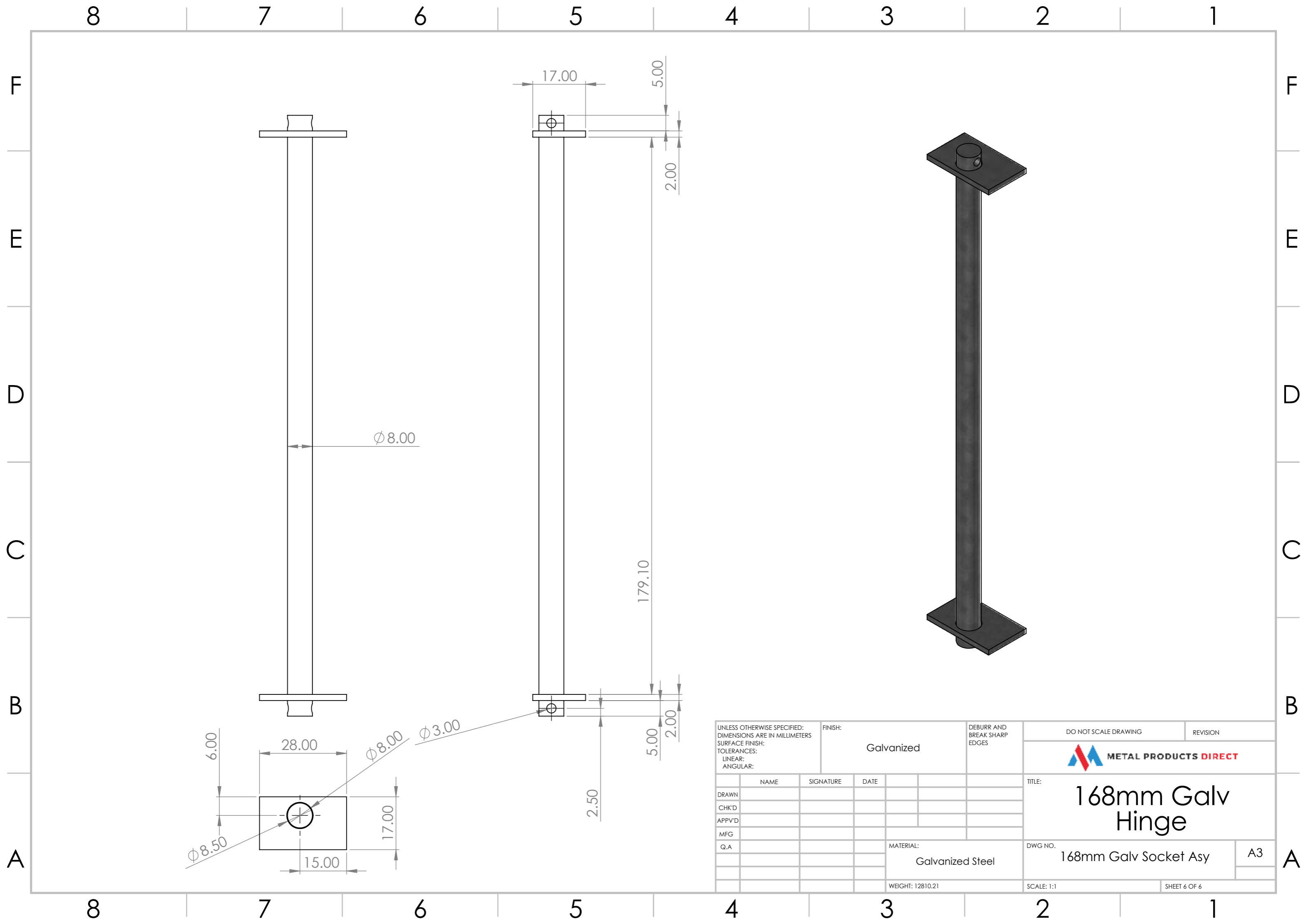
A


A



UNLESS OTHERWISE SPECIFIED: DIMENSIONS ARE IN MILLIMETERS SURFACE FINISH: TOLERANCES: LINEAR: ANGULAR:			FINISH: Galvanized		DEBURR AND BREAK SHARP EDGES		DO NOT SCALE DRAWING		REVISION		
DRAWN			NAME		SIGNATURE		DATE		TITLE: 168mm Galv Bollard Socket		
CHK'D									DWG NO. 168mm Galv Socket Asy		
APPV'D									A3		
MFG									SCALE:1:5		
Q.A									SHEET 5 OF 6		
					MATERIAL: Galvanized Steel		WEIGHT: 12810.21				

8 7 6 5 4 3 2 1



UNLESS OTHERWISE SPECIFIED: DIMENSIONS ARE IN MILLIMETERS SURFACE FINISH: TOLERANCES: LINEAR: ANGULAR:				FINISH: Galvanized		DEBURR AND BREAK SHARP EDGES		DO NOT SCALE DRAWING		REVISION	
											
								TITLE: 168mm Galv Hinge			
DRAWN				NAME				SIGNATURE		DATE	
CHK'D											
APPV'D											
MFG											
Q.A								MATERIAL: Galvanized Steel		DWG NO. 168mm Galv Socket Asy	
								WEIGHT: 12810.21		SCALE: 1:1	
										SHEET 6 OF 6	
										A3	