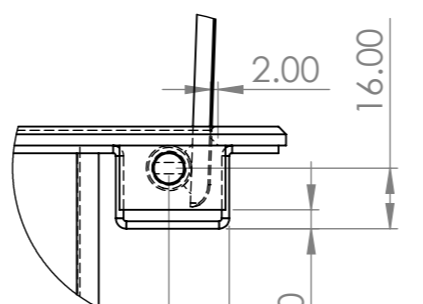


DETAIL B
SCALE 1 : 2



DETAIL A
SCALE 1 : 2

2no Stainless
steel split pins

UNLESS OTHERWISE SPECIFIED: DIMENSIONS ARE IN MILLIMETERS SURFACE FINISH: TOLERANCES: LINEAR: ANGULAR:			FINISH: 0.0	DEBURR AND BREAK SHARP EDGES	DO NOT SCALE DRAWING	REVISION
DRAWN			NAME	SIGNATURE	DATE	TITLE: 168mm Galv Socket
CHK'D						
APPV'D						
MFG						
Q.A						
			MATERIAL: Galvanized Steel		DWG NO. 168mm Galv Socket Asy	A3
			WEIGHT: 12810.21		SCALE: 1:5	SHEET 1 OF 6

8 7 6 5 4 3 2 1

F

F

E

E

D

D

C

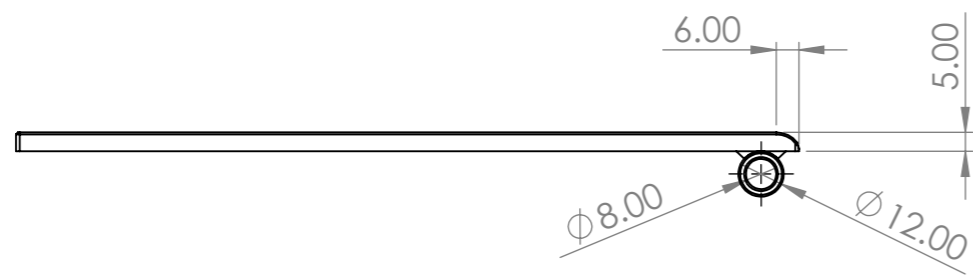
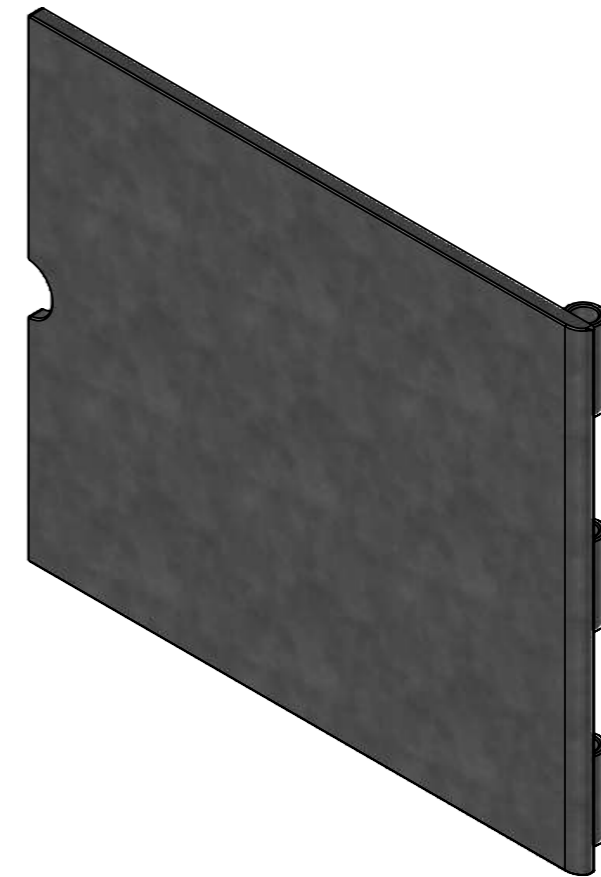
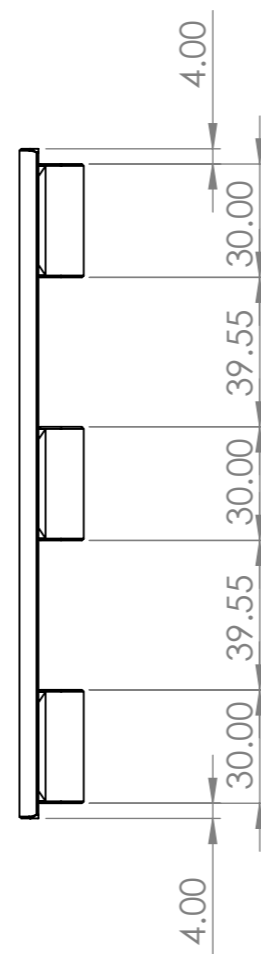
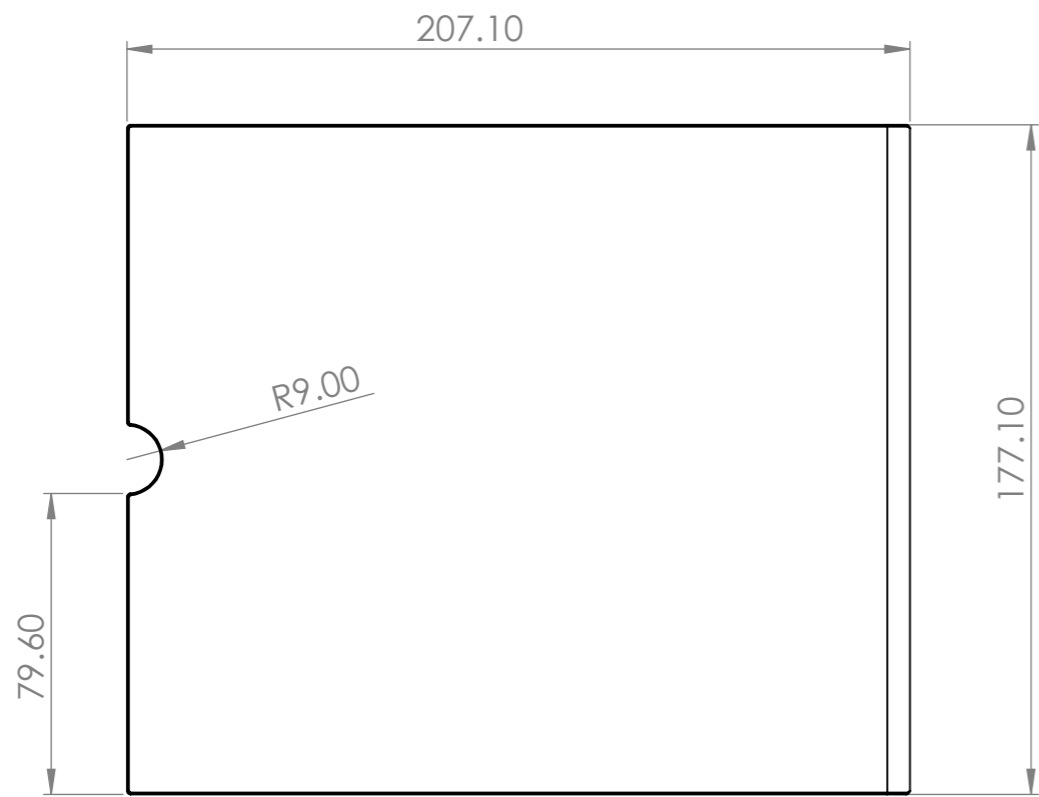
C

B

B

A

A

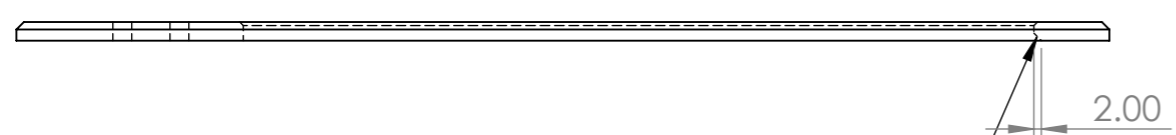
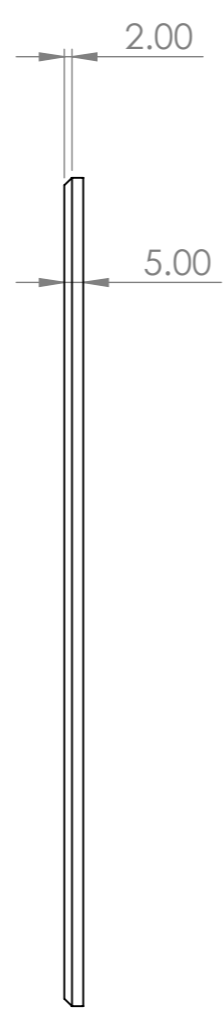
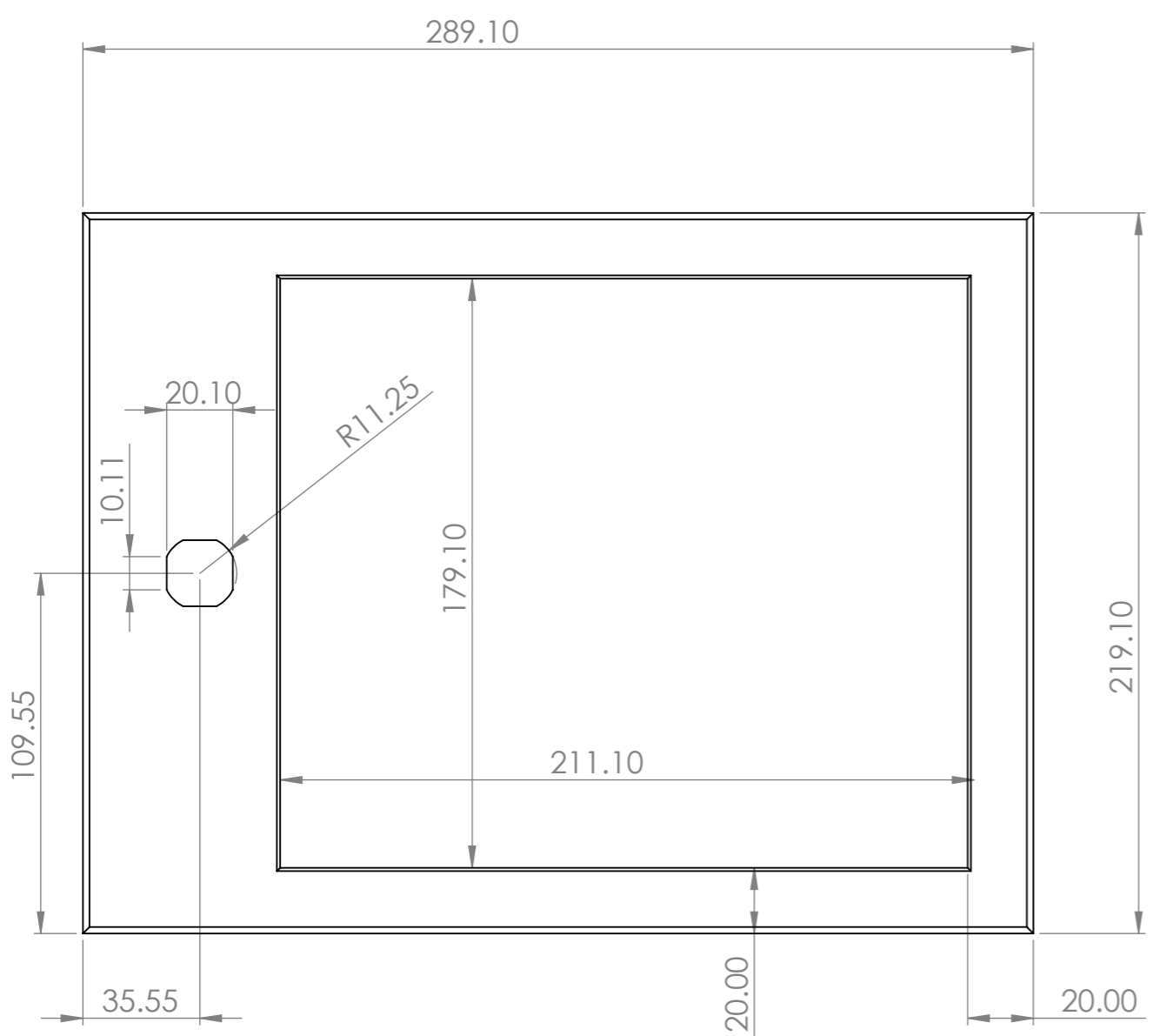


UNLESS OTHERWISE SPECIFIED: DIMENSIONS ARE IN MILLIMETERS SURFACE FINISH: TOLERANCES: LINEAR: ANGULAR:			FINISH: 0.0		DEBURR AND BREAK SHARP EDGES		DO NOT SCALE DRAWING		REVISION		
							TITLE: 168mm Galv Flip Lid				
DRAWN			NAME		SIGNATURE		DATE		DWG NO. 168mm Galv Socket Asy		
CHK'D									A3		
APPV'D											
MFG											
Q.A							MATERIAL: Galvanized Steel				
							WEIGHT: 12810.21		SCALE:1:5		SHEET 2 OF 6

8 7 6 5 4 3 2 1

8 7 6 5 4 3 2 1

F
E
D
C
B
A

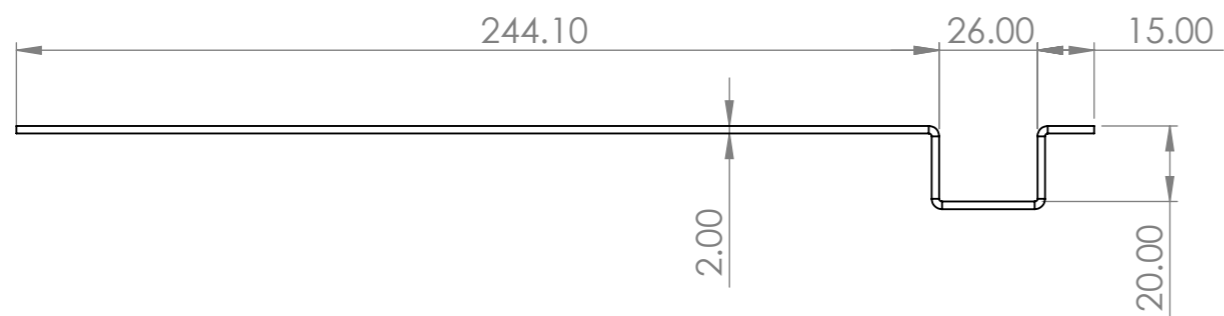
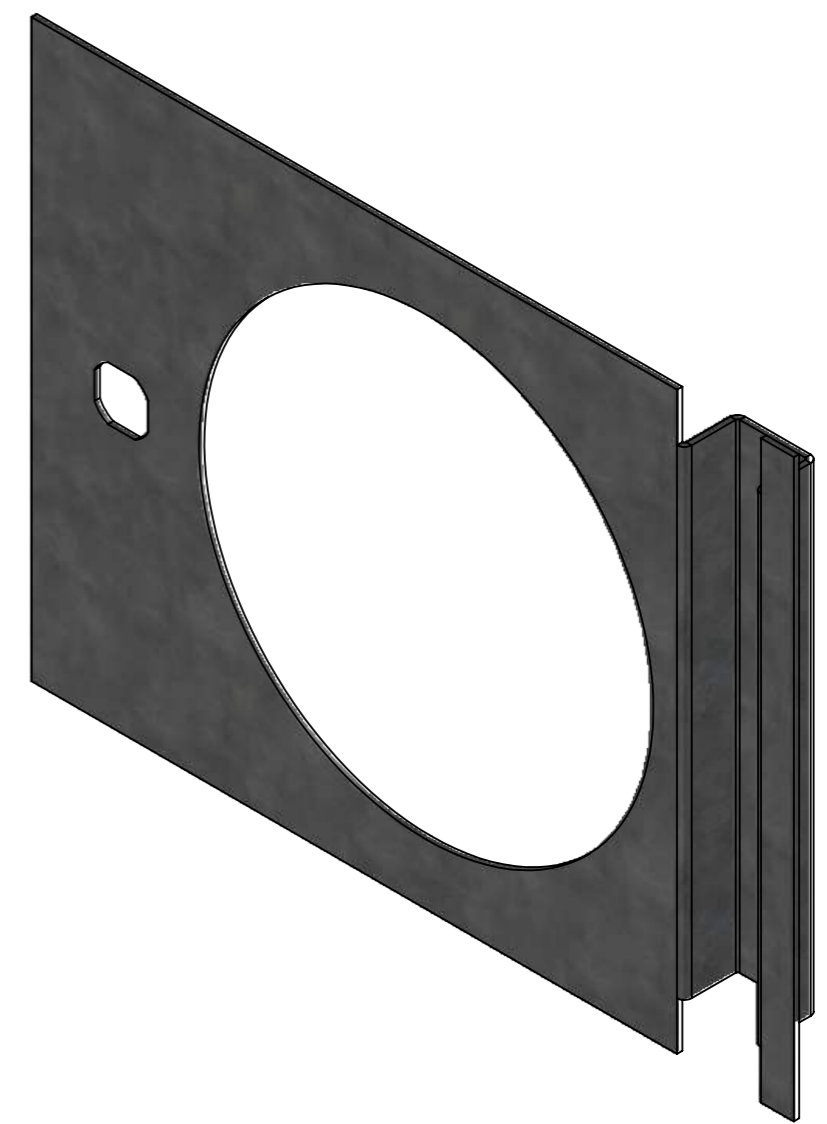
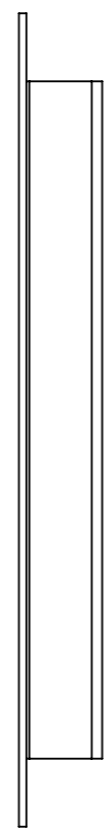
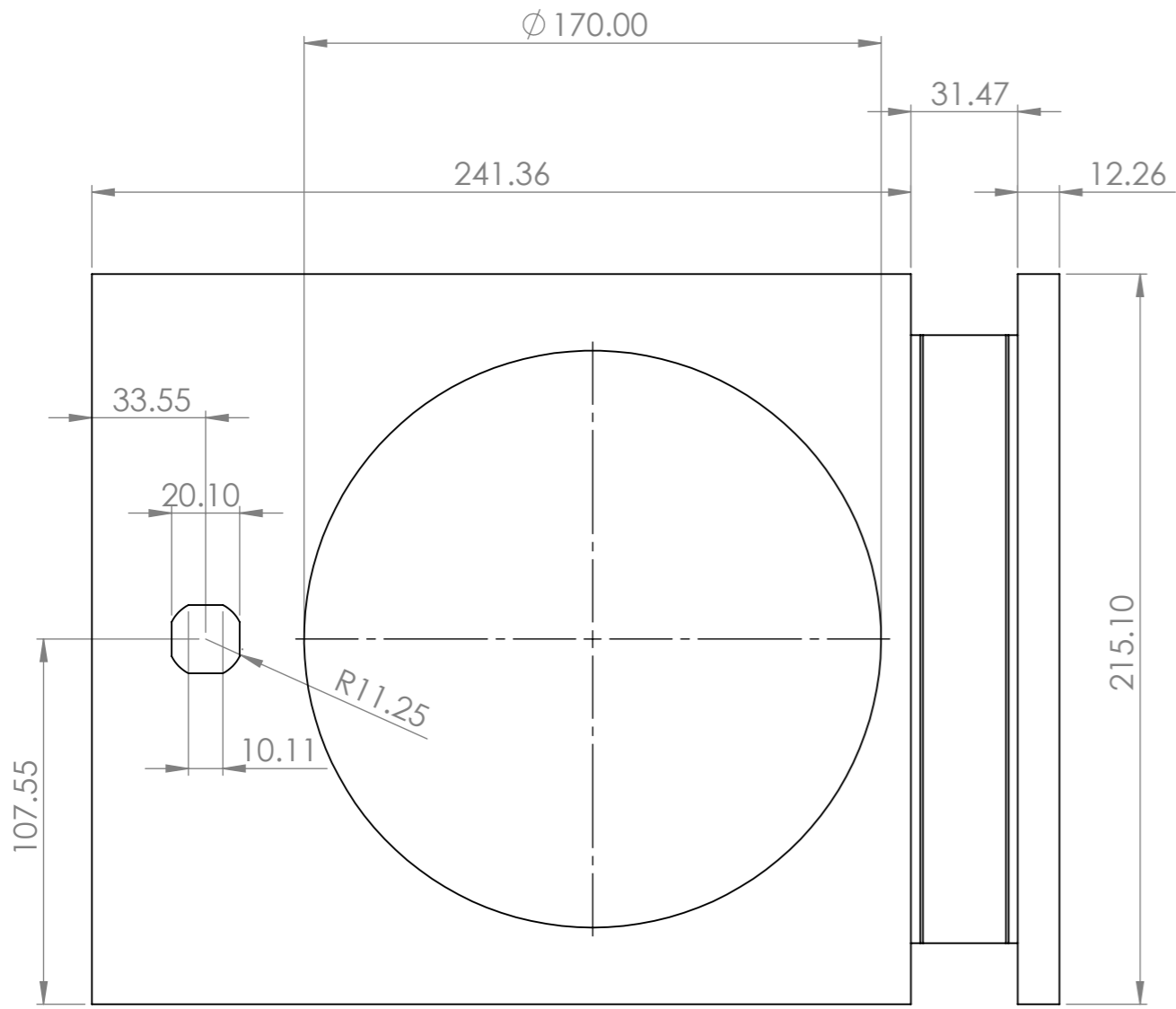


2mm Chamfer to allow for hinge

UNLESS OTHERWISE SPECIFIED: DIMENSIONS ARE IN MILLIMETERS SURFACE FINISH: TOLERANCES: LINEAR: ANGULAR:			FINISH: 0.0		DEBURR AND BREAK SHARP EDGES		DO NOT SCALE DRAWING		REVISION		
							TITLE: 168mm Galv Ground Plate				
DRAWN			NAME		SIGNATURE		DATE		DWG NO. 168mm Galv Socket Asy		
CHK'D									A3		
APPV'D									SCALE: 1:2		
MFG									SHEET 3 OF 6		
Q.A							MATERIAL: Galvanized Steel				
							WEIGHT: 12810.21				

8 7 6 5 4 3 2 1

F
E
D
C
B
A



UNLESS OTHERWISE SPECIFIED: DIMENSIONS ARE IN MILLIMETERS SURFACE FINISH: TOLERANCES: LINEAR: ANGULAR:			FINISH: Galvanized		DEBURR AND BREAK SHARP EDGES		DO NOT SCALE DRAWING		REVISION				
							TITLE: 168mm Galv Guide Plate						
							MATERIAL: Galvanized Steel			DWG NO. 168mm Galv Socket Asy		A3	
							WEIGHT: 12810.21		SCALE: 1:2		SHEET 4 OF 6		

8 7 6 5 4 3 2 1

F

F

E

E

D

D

C

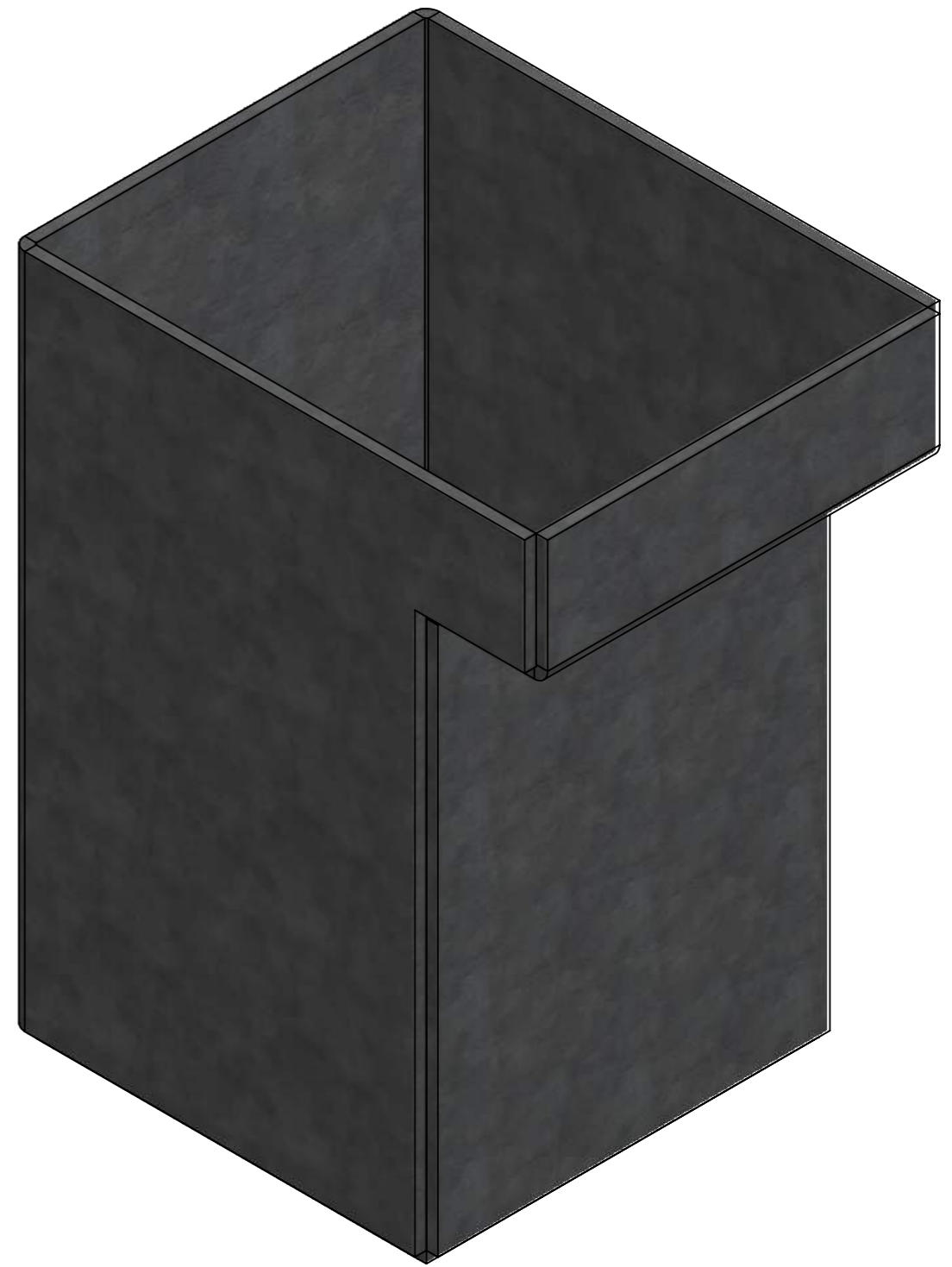
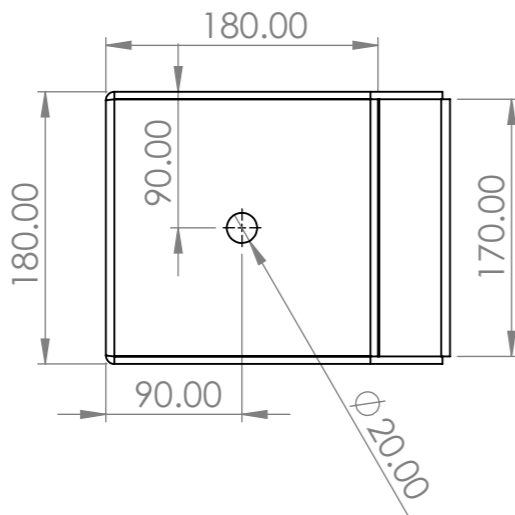
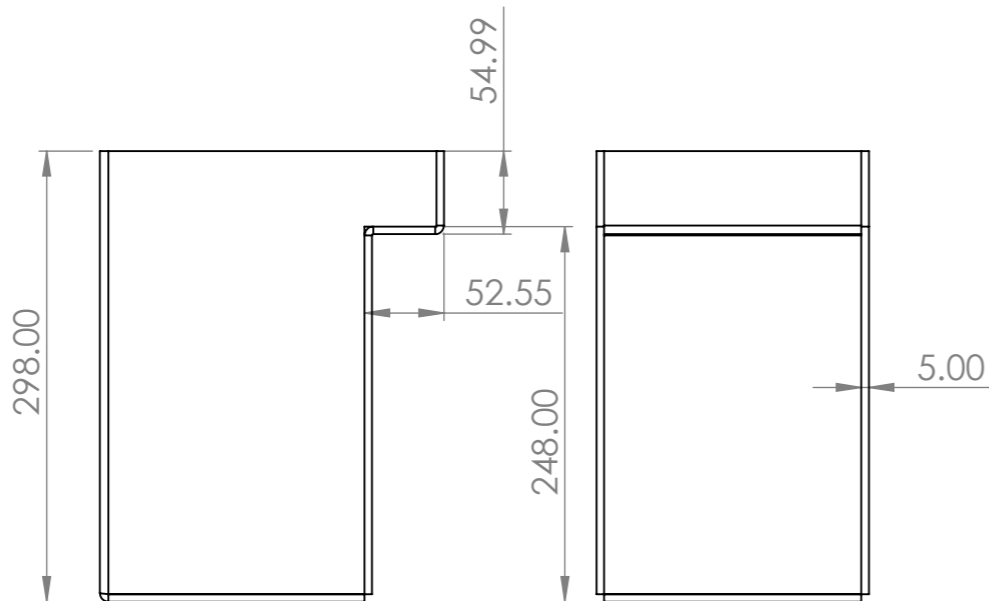
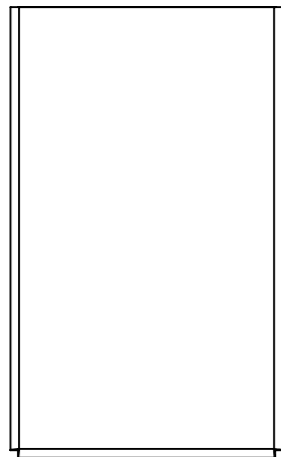
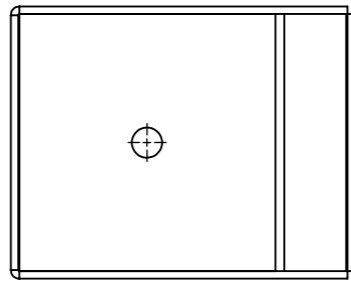
C

B

B

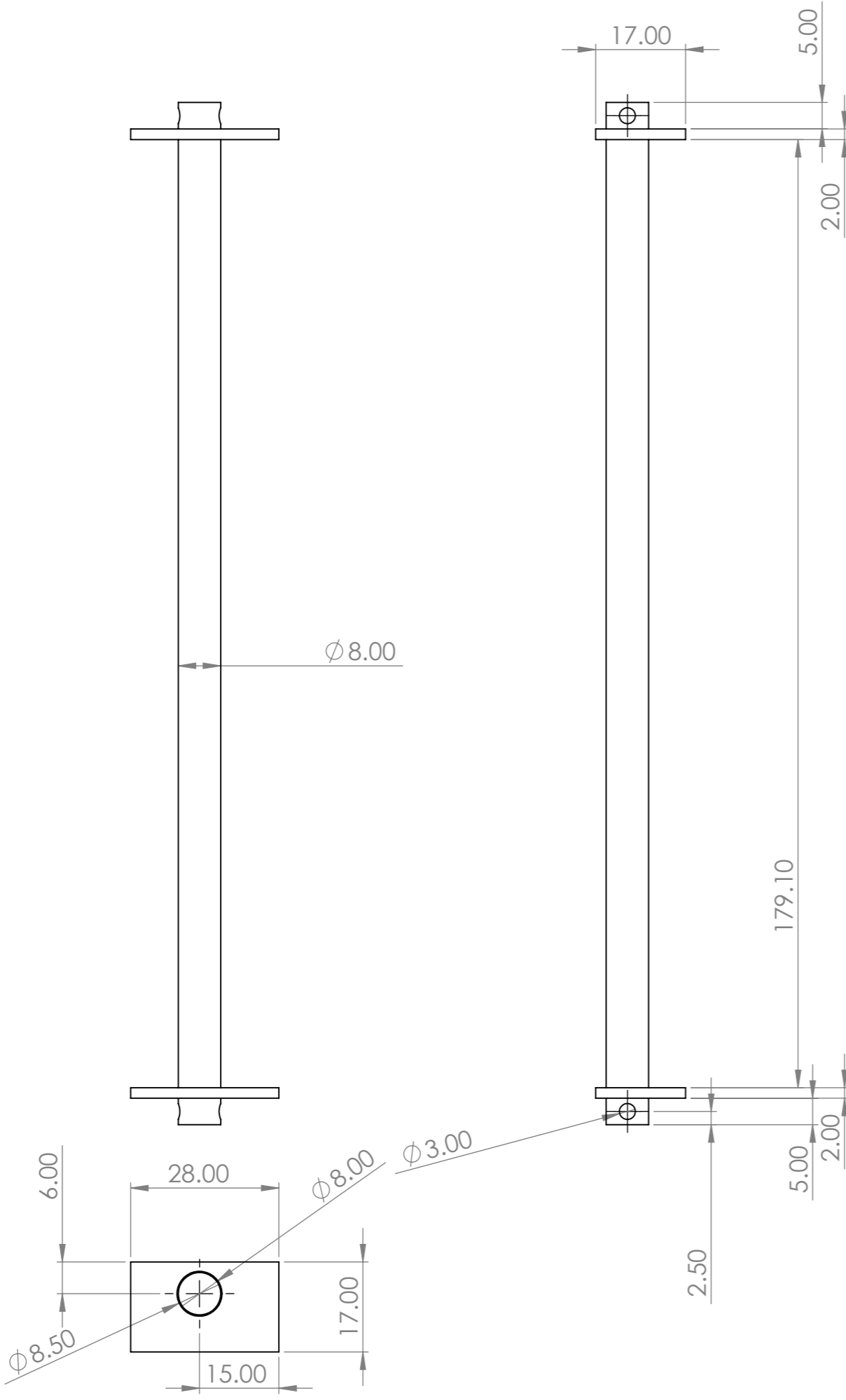
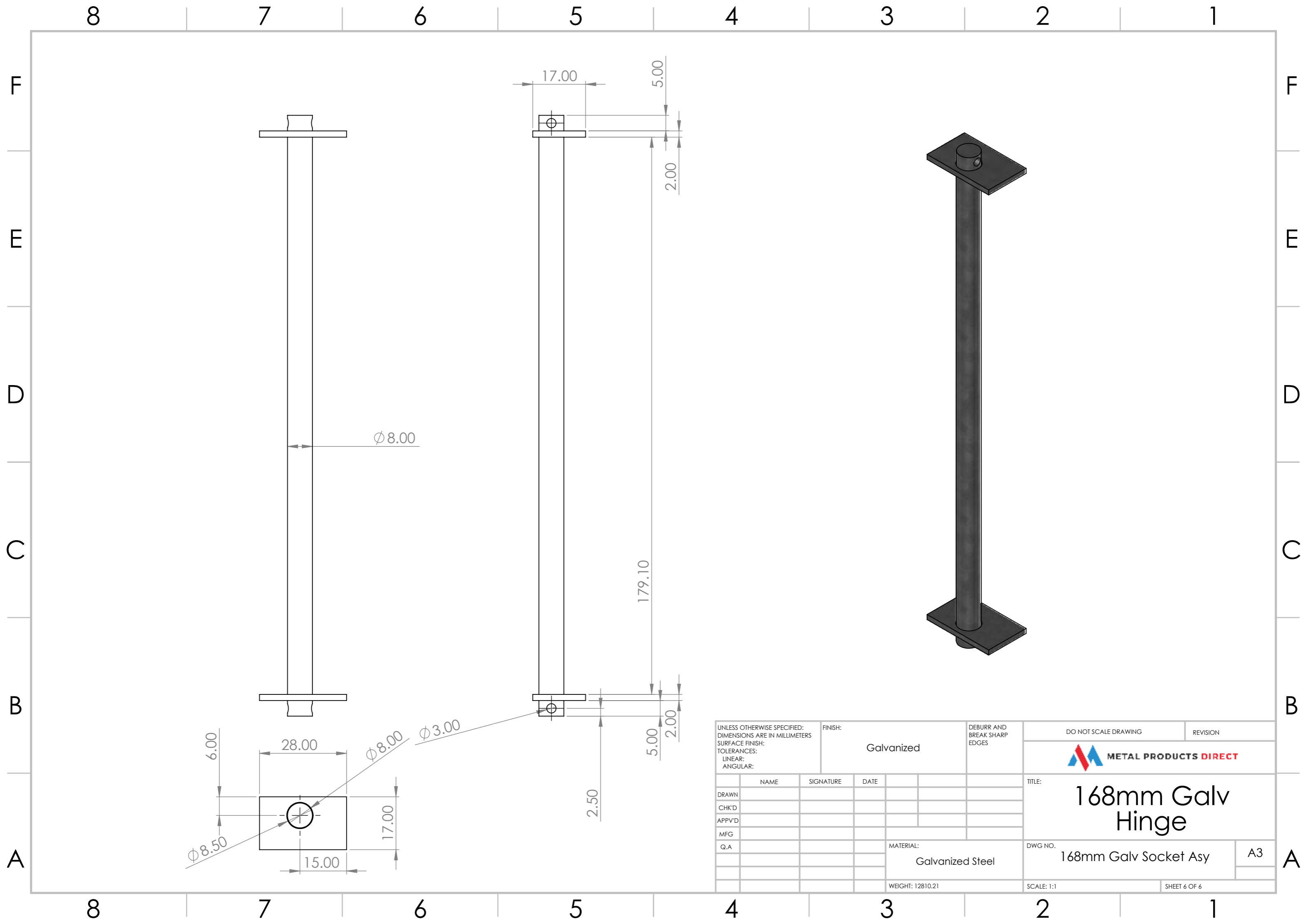
A

A



UNLESS OTHERWISE SPECIFIED: DIMENSIONS ARE IN MILLIMETERS SURFACE FINISH: TOLERANCES: LINEAR: ANGULAR:			FINISH: Galvanized		DEBURR AND BREAK SHARP EDGES		DO NOT SCALE DRAWING		REVISION		
DRAWN			NAME		SIGNATURE		DATE		TITLE: 168mm Galv Bollard Socket		
CHK'D									DWG NO. 168mm Galv Socket Asy		
APPV'D									A3		
MFG									SCALE:1:5		
Q.A							MATERIAL: Galvanized Steel		SHEET 5 OF 6		
							WEIGHT: 12810.21				

8 7 6 5 4 3 2 1



UNLESS OTHERWISE SPECIFIED: DIMENSIONS ARE IN MILLIMETERS SURFACE FINISH: TOLERANCES: LINEAR: ANGULAR:				FINISH: Galvanized		DEBURR AND BREAK SHARP EDGES		DO NOT SCALE DRAWING		REVISION	
DRAWN								METAL PRODUCTS DIRECT TITLE: <h1>168mm Galv Hinge</h1> DWG NO. 168mm Galv Socket Asy A3			
CHK'D											
APPV'D											
MFG											
Q.A											
MATERIAL: Galvanized Steel						WEIGHT: 12810.21		SCALE: 1:1		SHEET 6 OF 6	