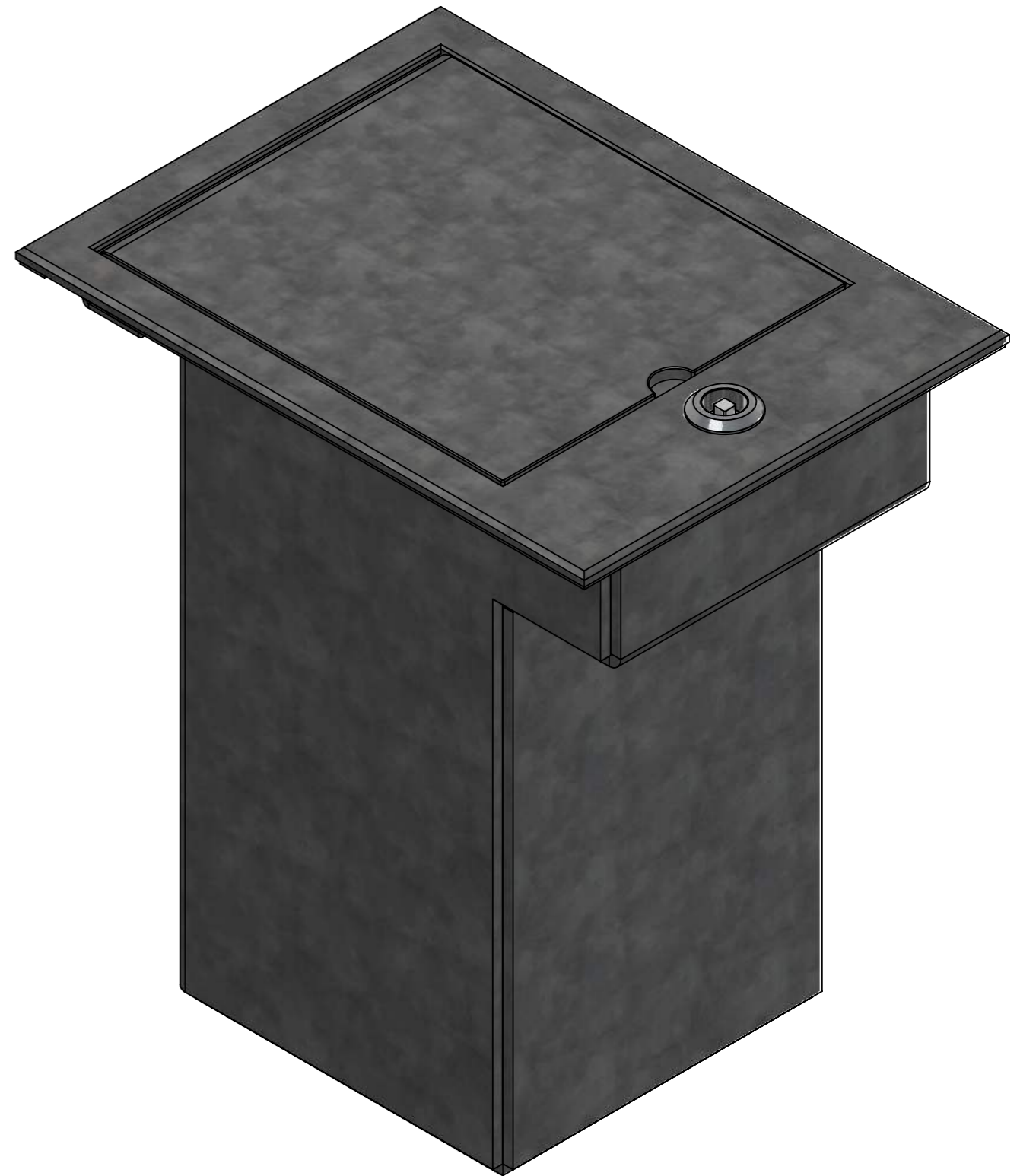
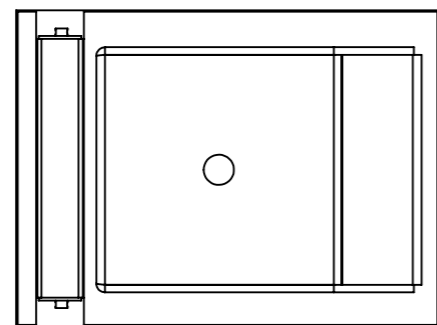
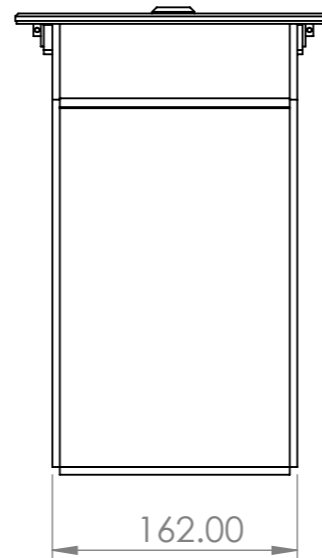
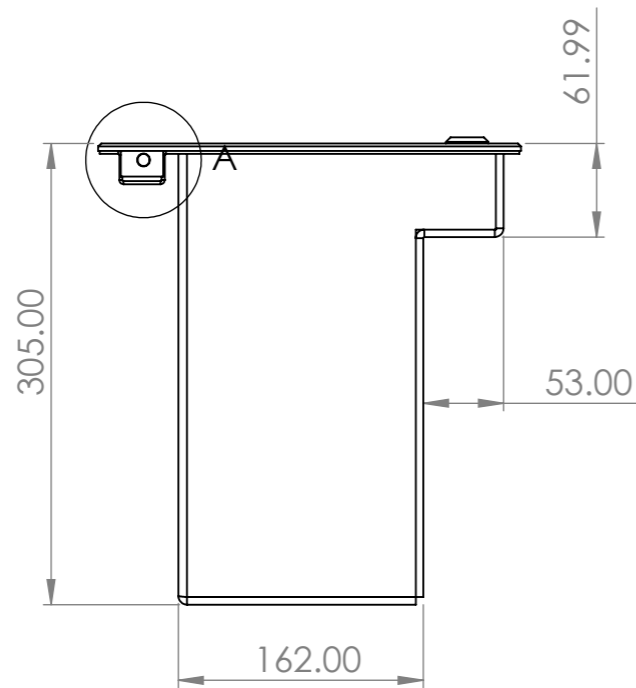
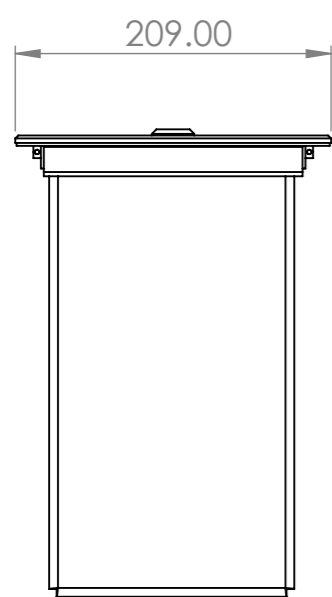
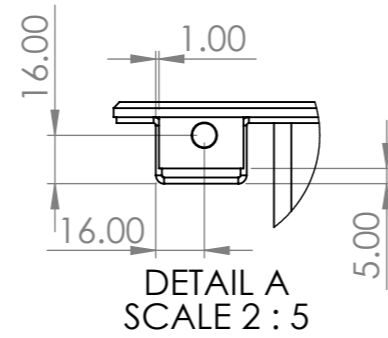
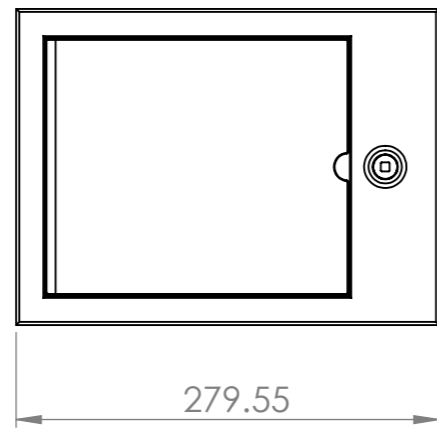


8 7 6 5 4 3 2 1

F

F



D

D

C

C


B

B

A

A

8 7 6 5 4 3 2 1

| | | | | | | | | | | | |
|---|--|--|---------------------------|--|------------------------------------|--|---|--|--|--|--|
| UNLESS OTHERWISE SPECIFIED: DIMENSIONS ARE IN MILLIMETERS SURFACE FINISH: TOLERANCES: LINEAR: ANGULAR: | | | FINISH: Galvanized | | DEBURR AND BREAK SHARP EDGES | | DO NOT SCALE DRAWING | | REVISION | | |
| | | | | | | |  | | | | |
| | | | | | | | TITLE: 150 x 150 Galve Socket | | | | |
| DRAWN | | | NAME | | SIGNATURE | | DATE | | DWG NO. 150 x150 Flip Lid Hidden Lock Galv Socket Asy | | |
| CHK'D | | | | | | | | | A3 | | |
| APPV'D | | | | | | | | | | | |
| MFG | | | | | | | | | | | |
| Q.A | | | | | | | MATERIAL: Mild Steel | | SCALE:1:5 | | |
| | | | | | | | WEIGHT: 11488.70 | | SHEET 1 OF 6 | | |

8 7 6 5 4 3 2 1

F

F

E

E

D

D

C

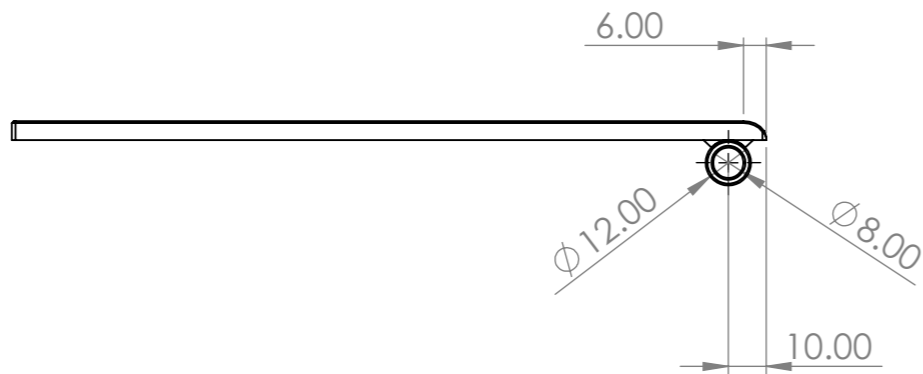
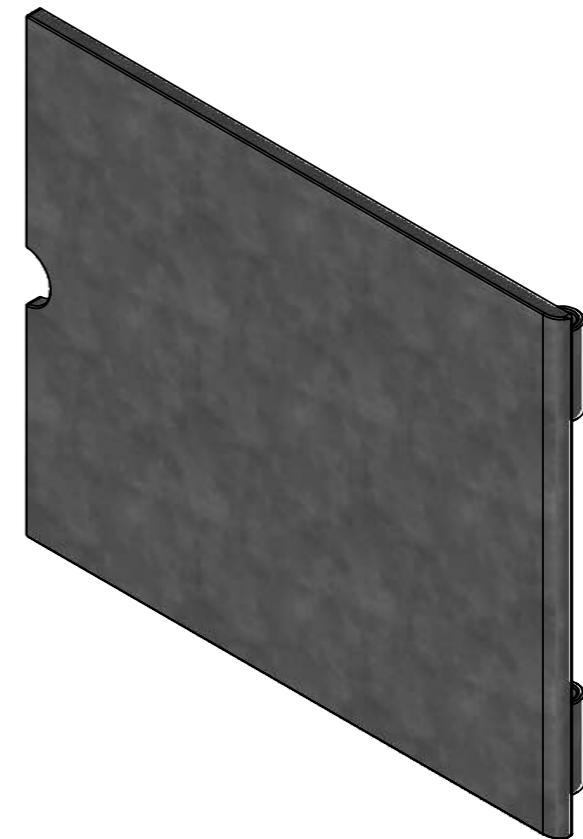
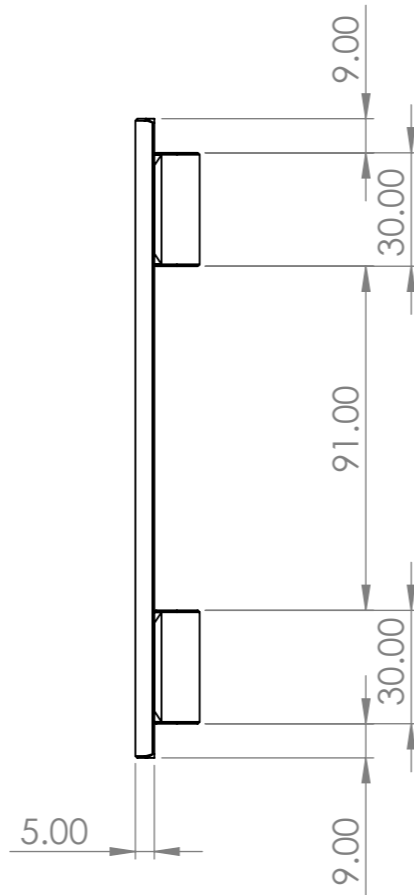
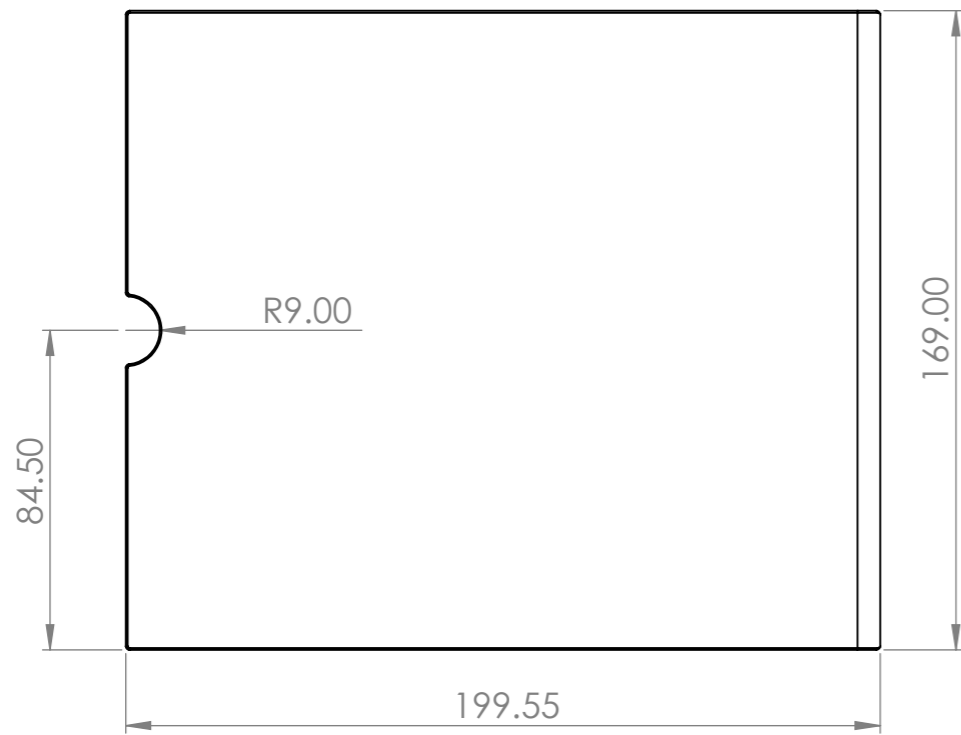
C

B

B

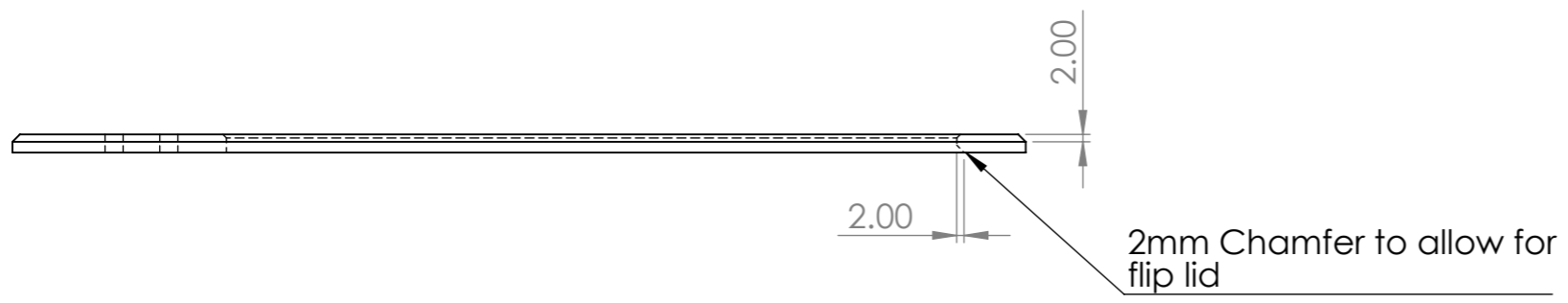
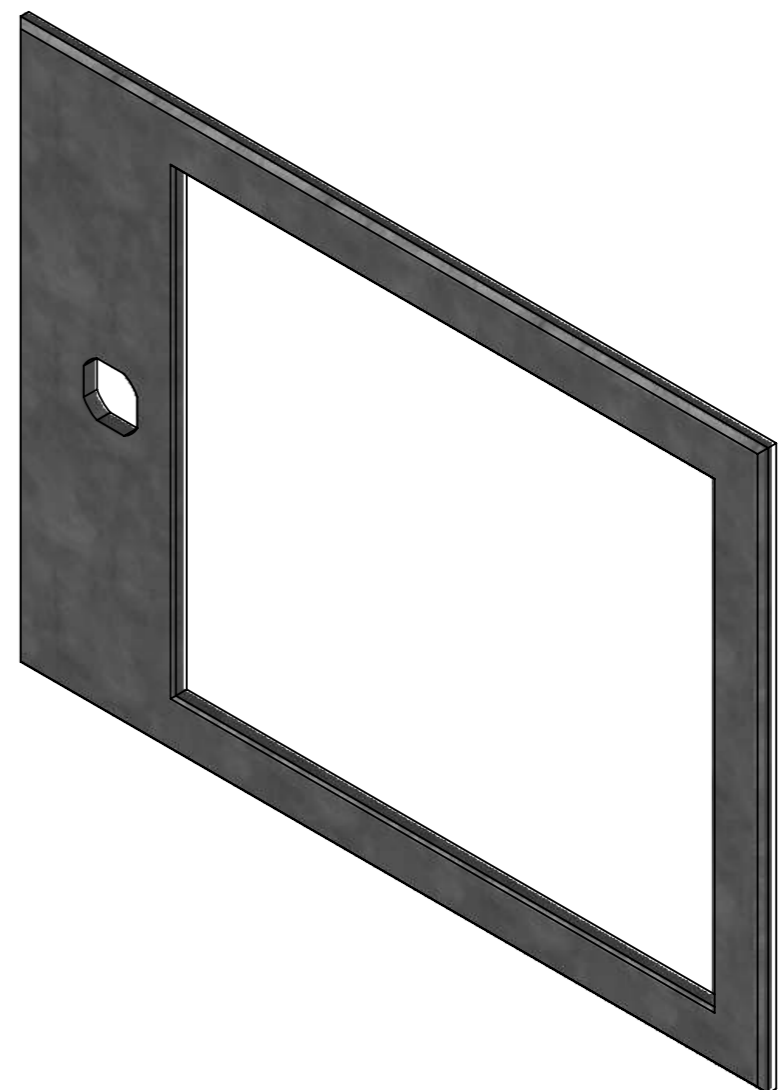
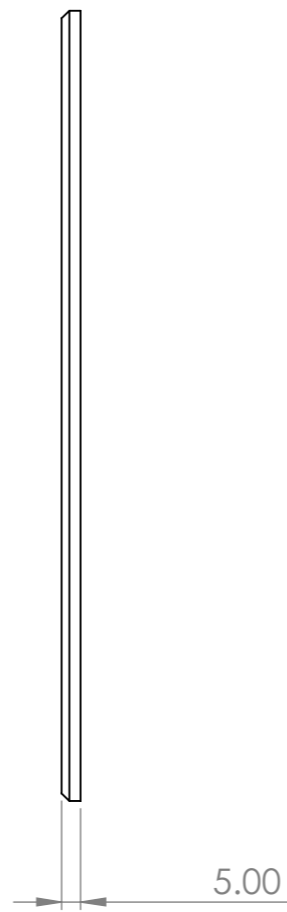
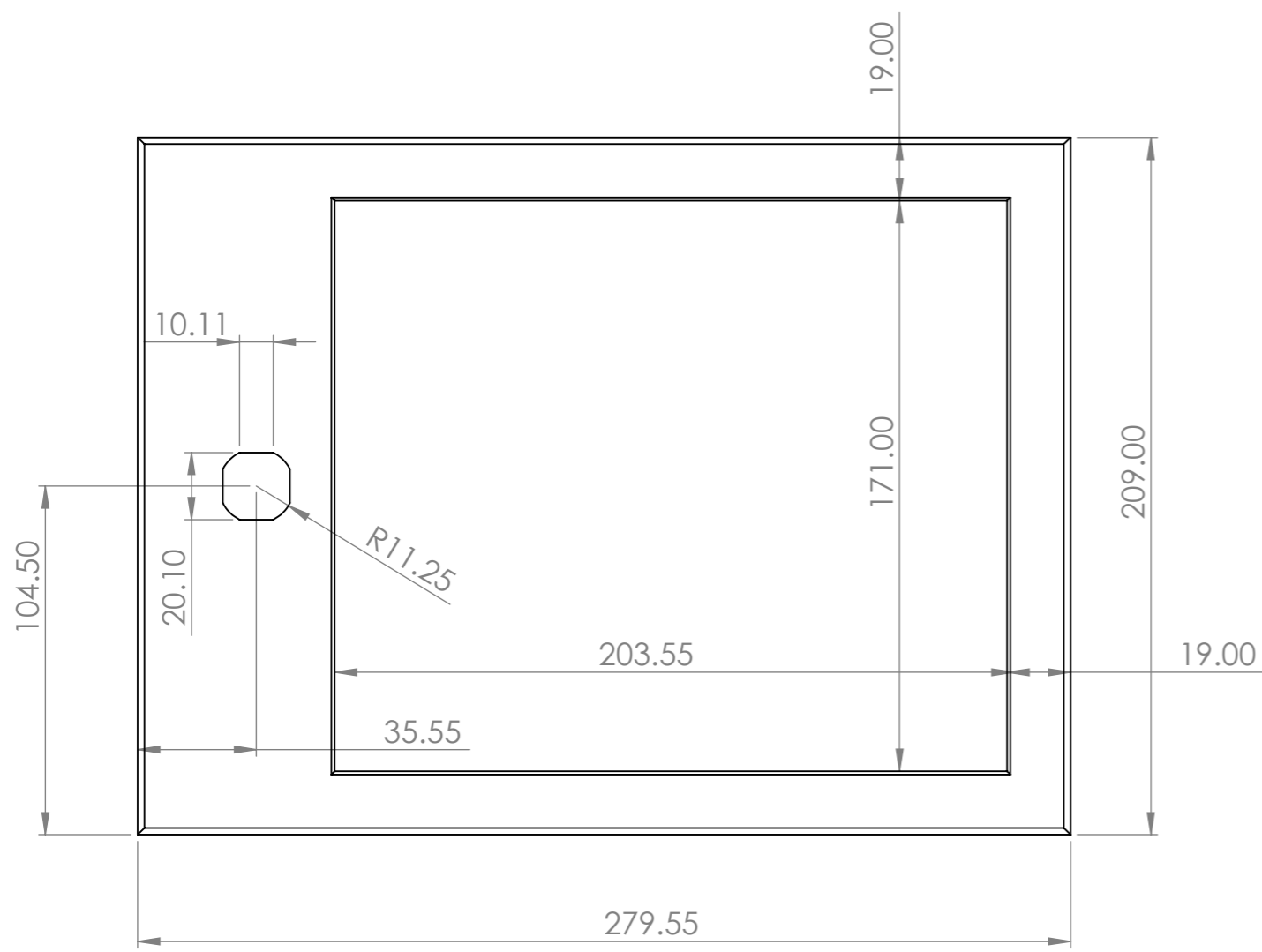
A

A

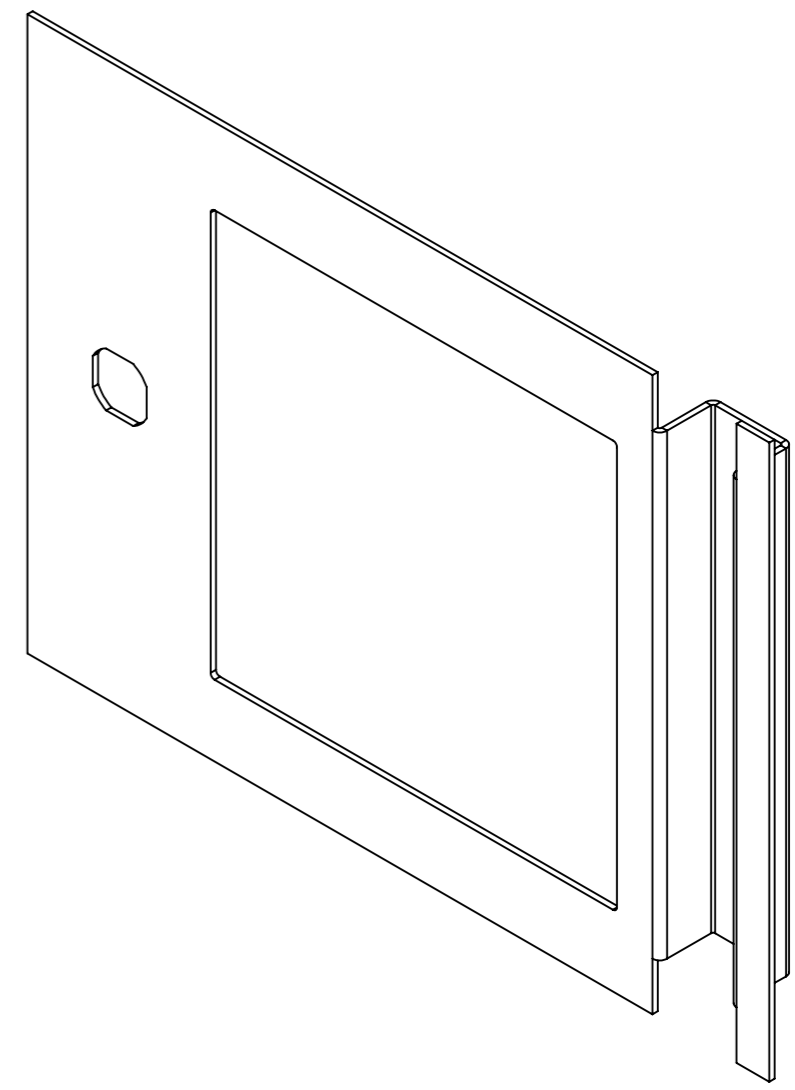
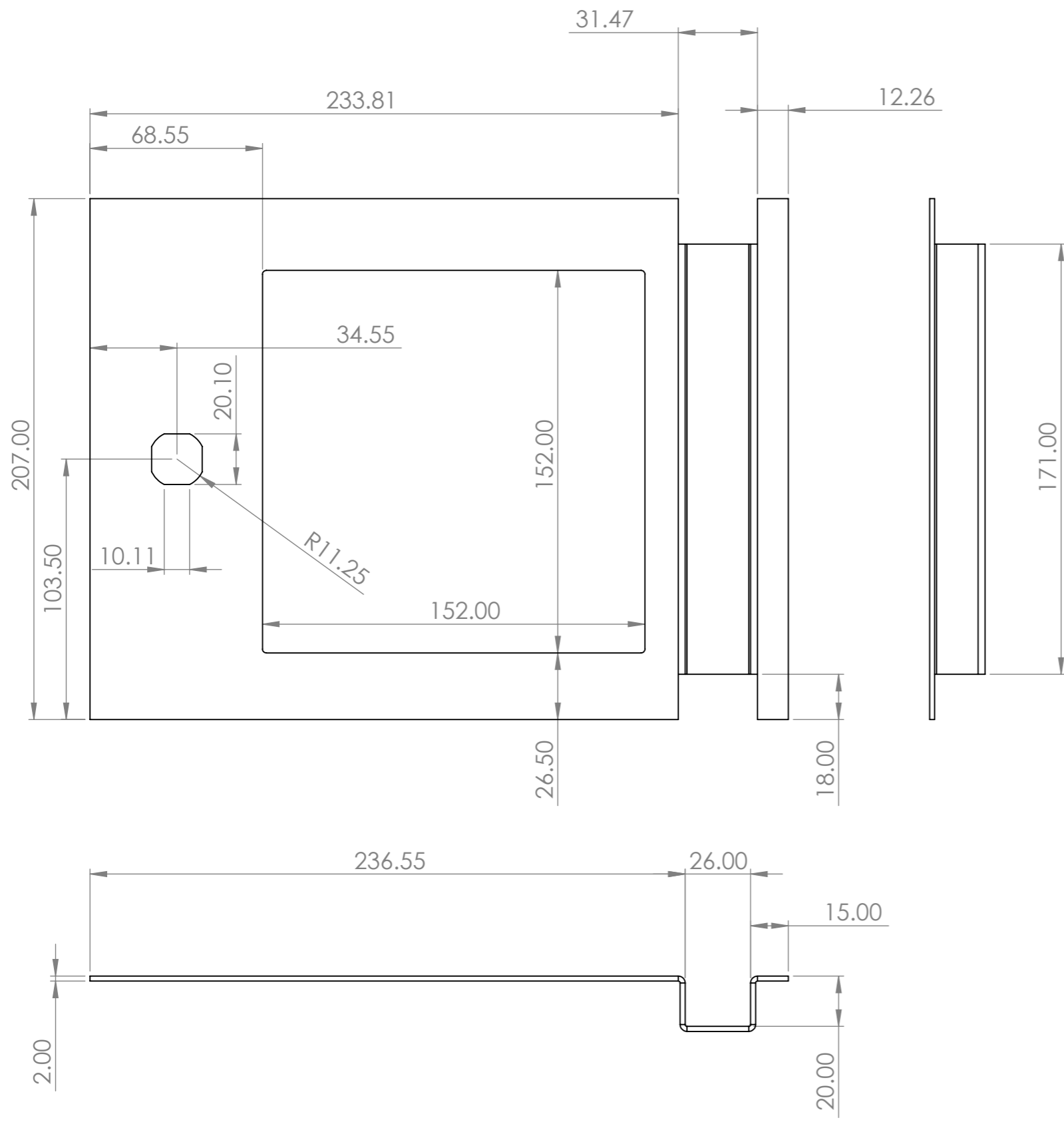



| | | | | | | | | | | | |
|---|--|--|---------------------------|--|------------------------------------|--|------------------------------|--|---|--|--|
| UNLESS OTHERWISE SPECIFIED: DIMENSIONS ARE IN MILLIMETERS SURFACE FINISH: TOLERANCES: LINEAR: ANGULAR: | | | FINISH: Galvanized | | DEBURR AND BREAK SHARP EDGES | | DO NOT SCALE DRAWING | | REVISION | | |
| | | | | | | | | | | | |
| | | | | | | | TITLE: 150 x 150 Galv Socket | | | | |
| DRAWN | | | NAME | | SIGNATURE | | DATE | | DWG NO. 150 x150 Flip Lid Hidden Lock Galv Socket Asy | | |
| CHK'D | | | | | | | | | A3 | | |
| APPV'D | | | | | | | | | SCALE: 1:2 | | |
| MFG | | | | | | | | | SHEET 2 OF 6 | | |
| Q.A | | | | | | | MATERIAL: Mild Steel | | WEIGHT: 11488.70 | | |
| | | | | | | | | | | | |

8 7 6 5 4 3 2 1



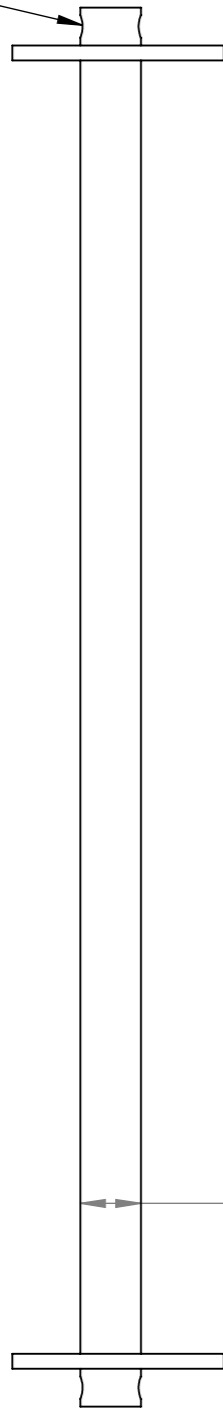
| | | | | | | | | | |
|--|------|-----------------------|------|------------------------------------|--|-------------------------|--|---|----|
| UNLESS OTHERWISE SPECIFIED: DIMENSIONS ARE IN MILLIMETERS | | FINISH: Galvanized | | DEBURR AND BREAK SHARP EDGES | | DO NOT SCALE DRAWING | | REVISION | |
| SURFACE FINISH: | | | | | | | | 150 x 150 Galve Ground Plate | |
| TOLERANCES: LINEAR: ANGULAR: | | | | | | | | | |
| DRAWN | NAME | SIGNATURE | DATE | | | | DWG NO. 150 x150 Flip Lid Hidden Lock Galv Socket Asy | | A3 |
| CHK'D | | | | | | | SCALE: 1:2 | | |
| APPV'D | | | | | | | SHEET 3 OF 6 | | |
| MFG | | | | | | MATERIAL: Mild Steel | | | |
| Q.A | | | | | | WEIGHT: 11488.70 | | | |



| | | | | | | | | | | | |
|---|--|--|--|---------------------------|--|--|--|---|--|----------|--|
| UNLESS OTHERWISE SPECIFIED: DIMENSIONS ARE IN MILLIMETERS SURFACE FINISH: TOLERANCES: LINEAR: ANGULAR: | | | | FINISH: Galvanized | | DEBURR AND BREAK SHARP EDGES | | DO NOT SCALE DRAWING | | REVISION | |
| DRAWN | | | | | | | |  TITLE: 150 x 150 Galv Guide Plate | | | |
| CHK'D | | | | | | | | | | | |
| APPV'D | | | | | | | | | | | |
| MFG | | | | | | | | | | | |
| Q.A | | | | | | | | | | | |
| MATERIAL: Mild Steel | | | | | | DWG NO. 150 x150 Flip Lid Hidden Lock Galv Socket Asy | | A3 | | | |
| WEIGHT: 11488.70 | | | | | | SCALE: 1:2 | | SHEET 4 OF 6 | | | |

8 7 6 5 4 3 2 1

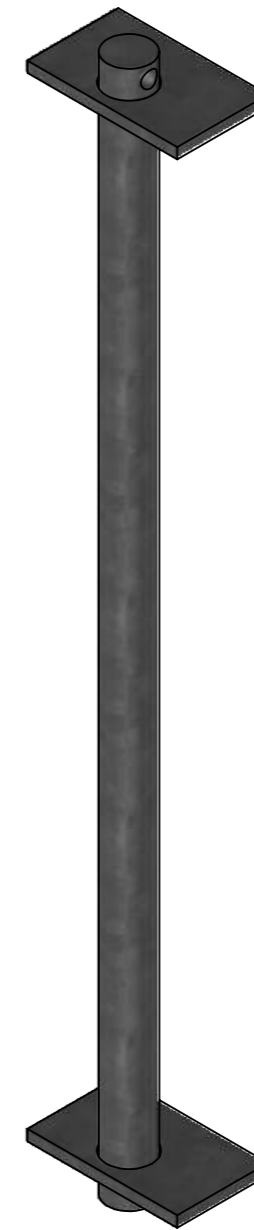
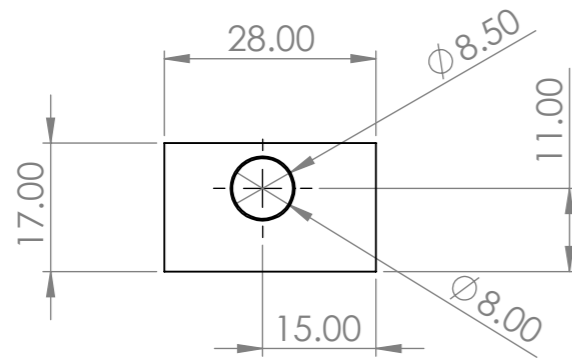
2no 3mm holes
for Stainless Steel
Split Pins



∅ 3.00

2.50
5.00
2.00
171.00
2.00
185.00

∅ 8.00



| | | | | | | | | | | | |
|---|--|--|--|---------------------------|--|------------------------------------|--|-------------------------|--|--|--|
| UNLESS OTHERWISE SPECIFIED: DIMENSIONS ARE IN MILLIMETERS SURFACE FINISH: TOLERANCES: LINEAR: ANGULAR: | | | | FINISH: Galvanized | | DEBURR AND BREAK SHARP EDGES | | DO NOT SCALE DRAWING | | REVISION | |
| DRAWN | | | | NAME | | SIGNATURE | | DATE | | TITLE: 150 x150 Galv Hinge | |
| CHK'D | | | | | | | | | | DWG NO. 150 x150 Flip Lid Hidden Lock Galv Socket Asy | |
| APPV'D | | | | | | | | | | A3 | |
| MFG | | | | | | | | | | SCALE: 1:1 | |
| Q.A | | | | | | | | MATERIAL: Mild Steel | | SHEET 5 OF 6 | |
| | | | | | | | | WEIGHT: 11488.70 | | | |

8 7 6 5 4 3 2 1

F
E
D
C
B
A

F
E
D
C
B
A

8 7 6 5 4 3 2 1

F

F

E

E

D

D

C

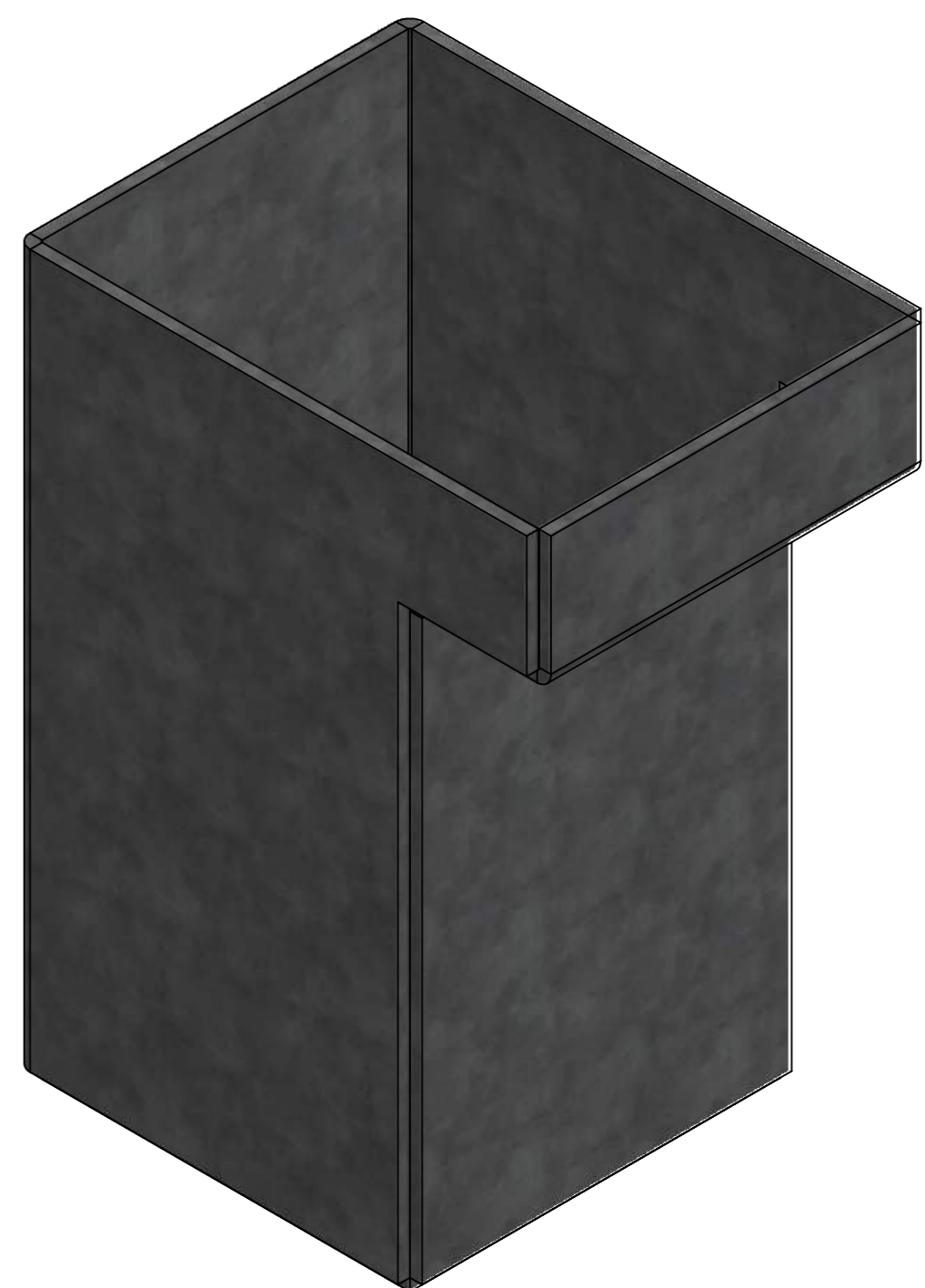
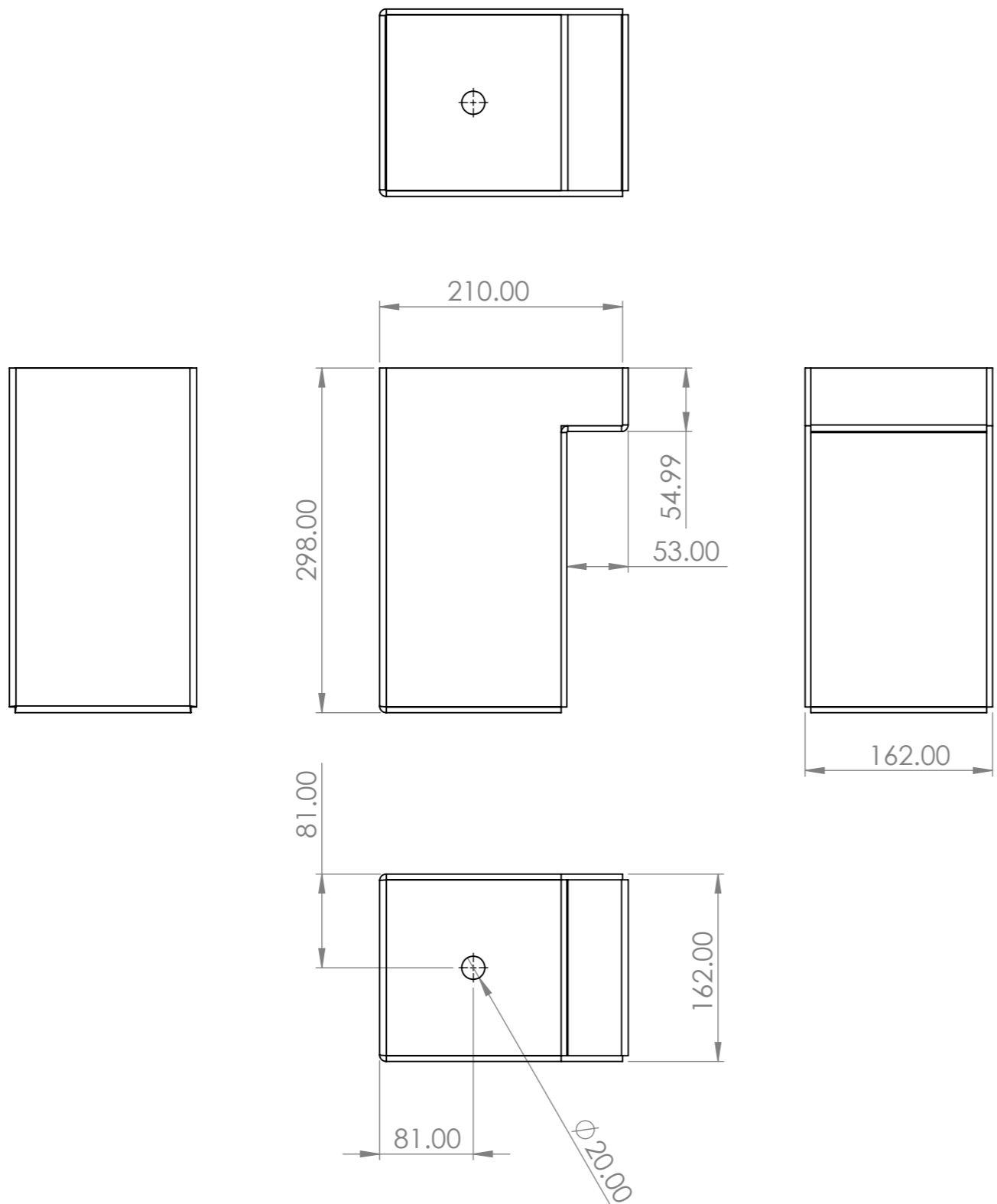
C


B

B

A

A



| | | | | | | | | | | | |
|---|--|--|--|---------------------------|--|------------------------------------|--|---|--|----------|--|
| UNLESS OTHERWISE SPECIFIED: DIMENSIONS ARE IN MILLIMETERS SURFACE FINISH: TOLERANCES: LINEAR: ANGULAR: | | | | FINISH: Galvanized | | DEBURR AND BREAK SHARP EDGES | | DO NOT SCALE DRAWING | | REVISION | |
| | | | | | | | |  | | | |
| | | | | | | | | TITLE: 150 x 150 Galv Socket | | | |
| DRAWN | | | | NAME | | | | SIGNATURE | | | |
| CHK'D | | | | DATE | | | | MATERIAL: Mild Steel | | | |
| APPV'D | | | | | | | | DWG NO. 150 x 150 Flip Lid Hidden Lock Galv Socket Asy | | | |
| MFG | | | | | | | | SCALE: 1:5 | | | |
| Q.A | | | | | | | | WEIGHT: 11488.70 | | | |
| | | | | | | | | SHEET 6 OF 6 | | | |
| | | | | | | | | A3 | | | |

8 7 6 5 4 3 2 1