

DETAIL A
SCALE 2:1

UNLESS OTHERWISE SPECIFIED: DIMENSIONS ARE IN MILLIMETERS		FINISH: See Drawings	DEBURR AND BREAK SHARP EDGES	DO NOT SCALE DRAWING	REVISION
SURFACE FINISH: TOLERANCES: LINEAR: ANGULAR:					
DRAWN	NAME	SIGNATURE	DATE	TITLE: 150 x 150 Stainless Socket Asy	
CHK'D				DWG NO. 150 x 150 Stainless Steel Socket Asy	
APPV'D				A3	
MFG				MATERIAL: 304L Stainless Steel	
Q.A				WEIGHT: 11676.16	
				SCALE: 1:5	SHEET 1 OF 6

8 7 6 5 4 3 2 1

F

F

E

E

D

D

C

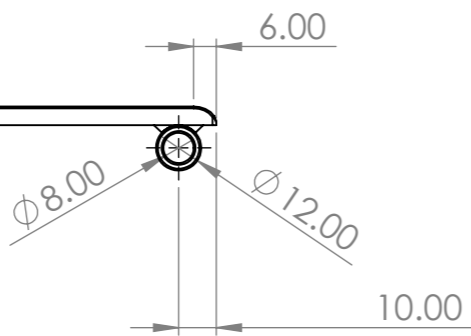
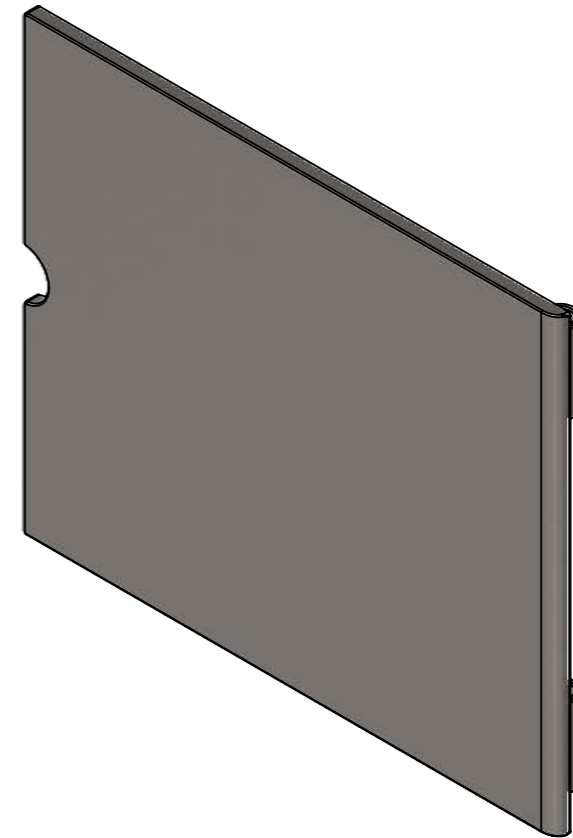
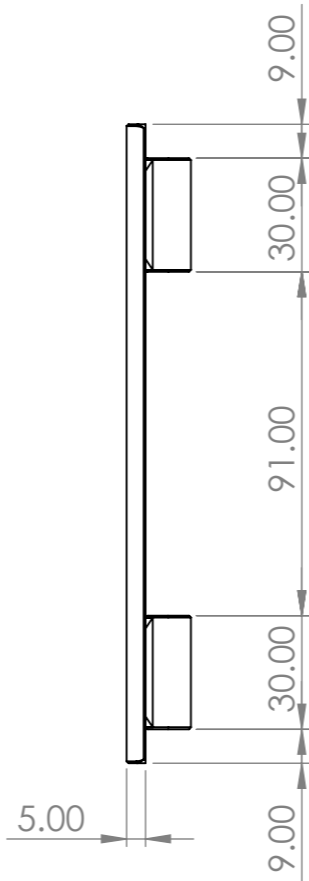
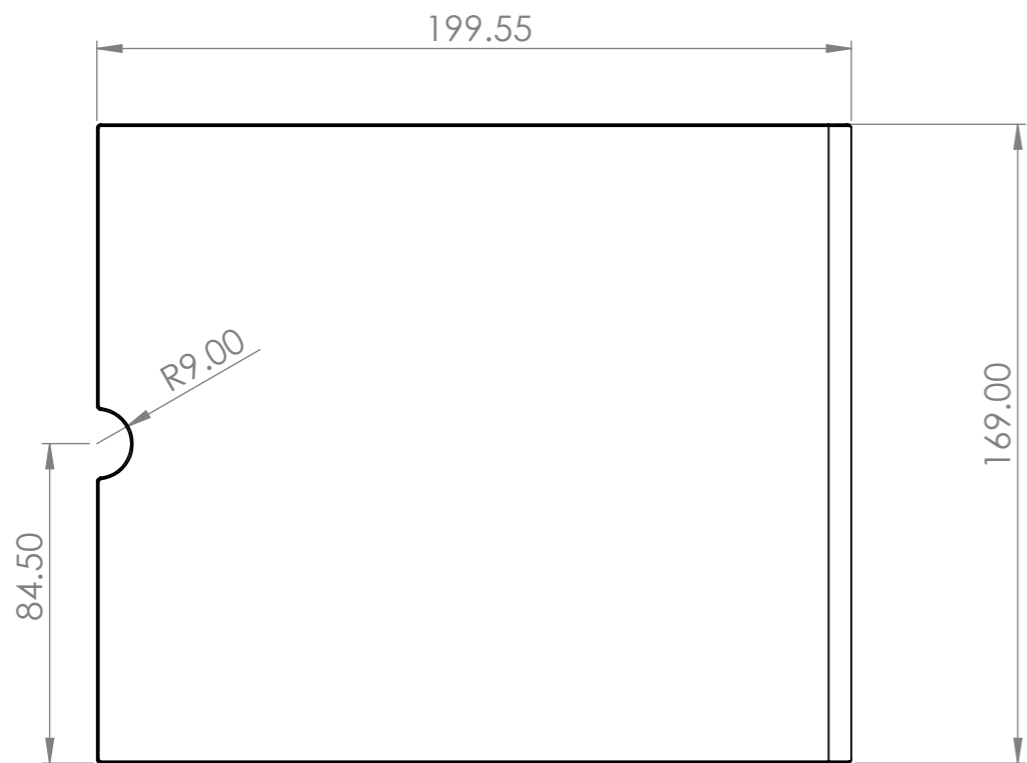
C

B

B

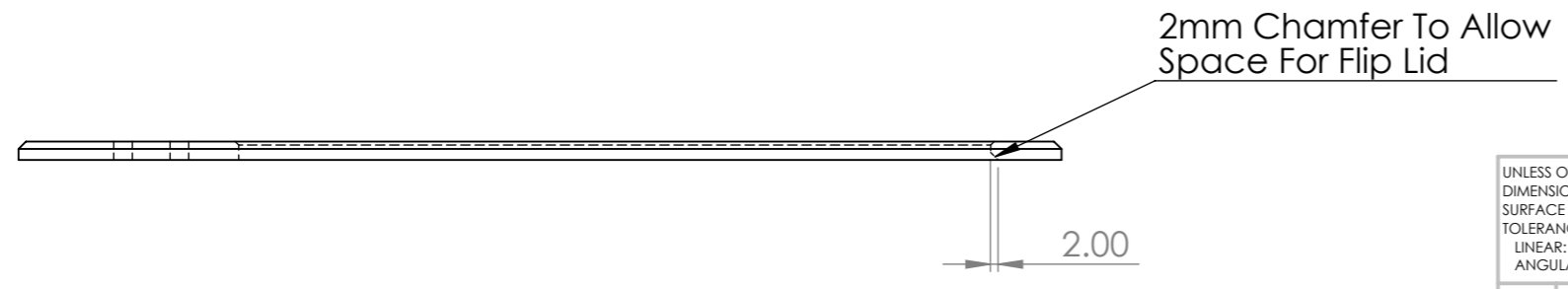
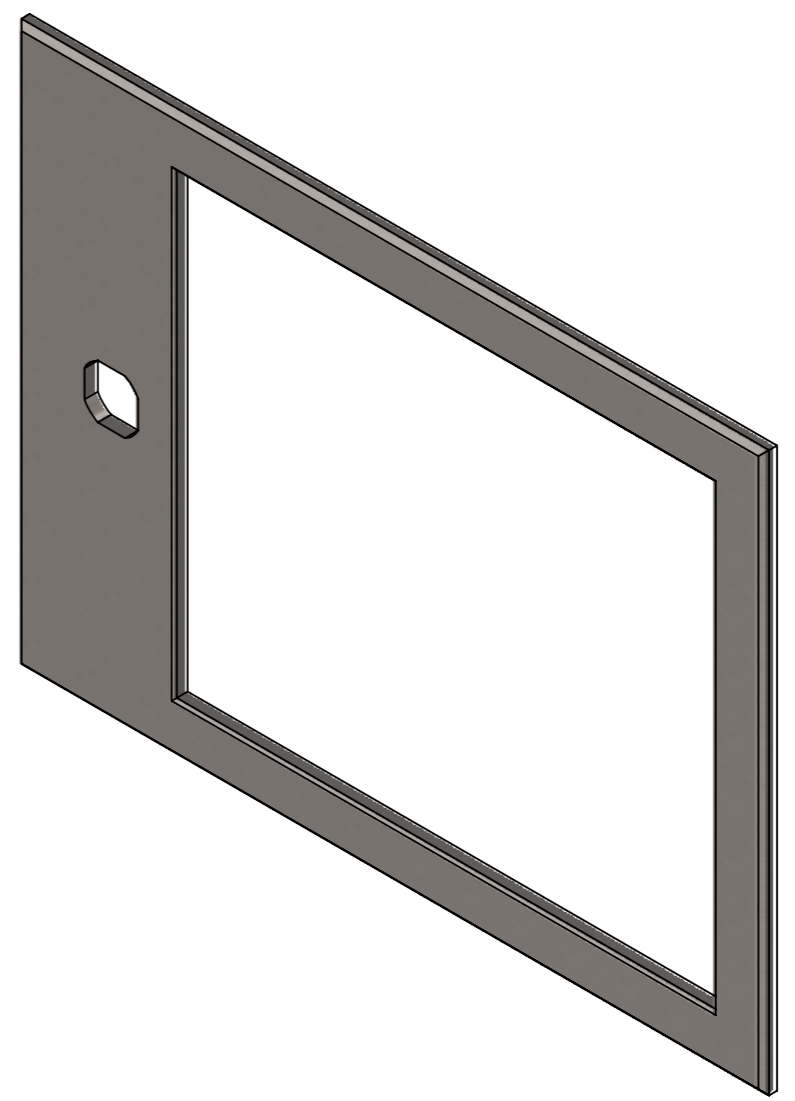
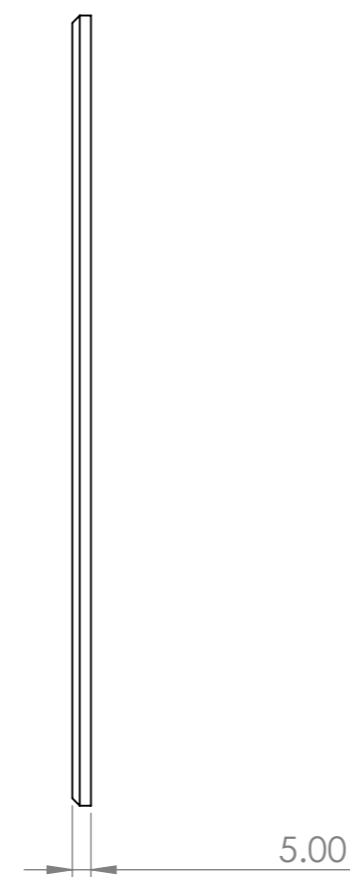
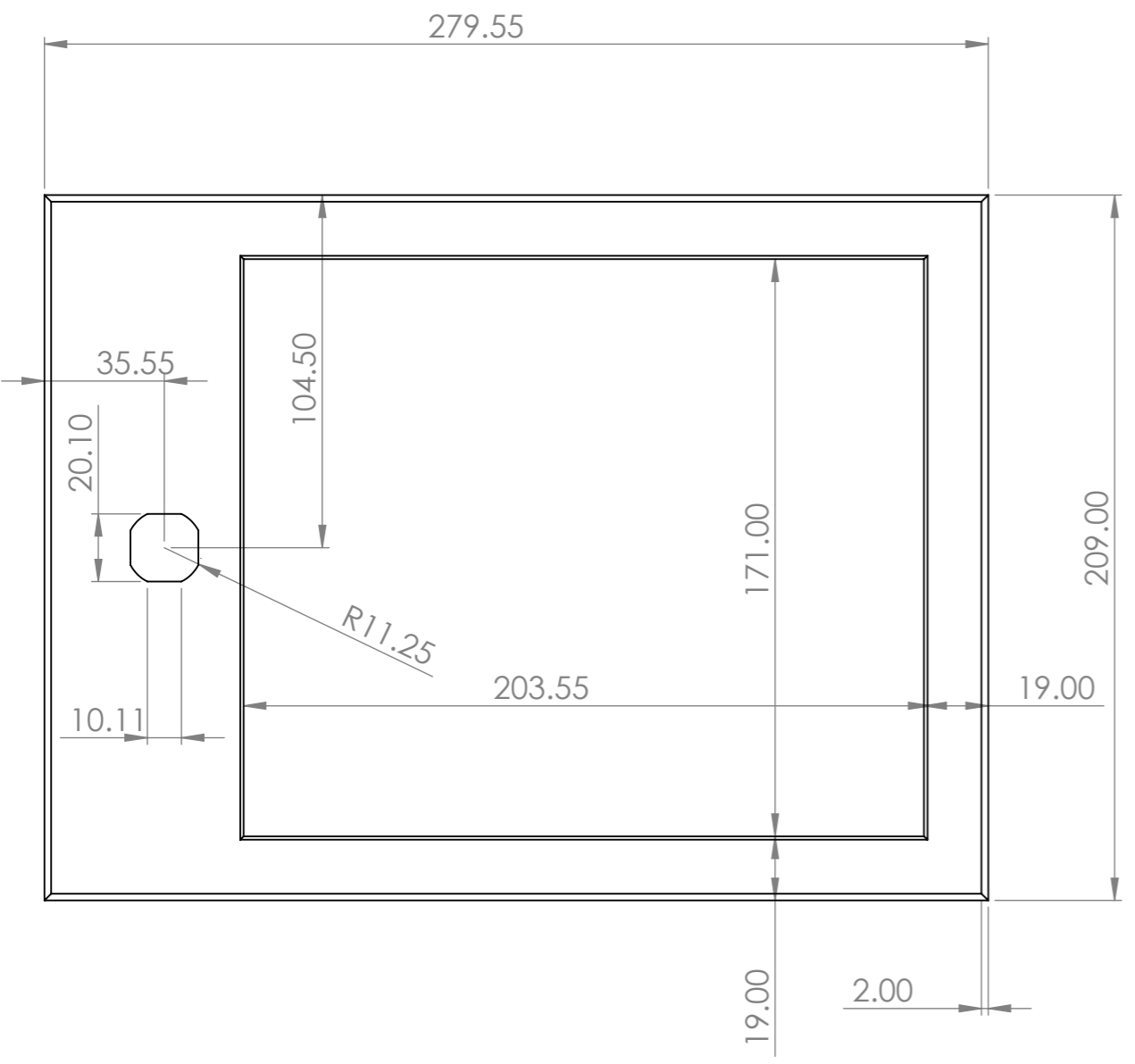
A


A



UNLESS OTHERWISE SPECIFIED: DIMENSIONS ARE IN MILLIMETERS SURFACE FINISH: TOLERANCES: LINEAR: ANGULAR:			FINISH: Brushed Steel		DEBURR AND BREAK SHARP EDGES		DO NOT SCALE DRAWING		REVISION		
							TITLE: 150 x 150 Flip Lid				
DRAWN			NAME		SIGNATURE		DATE		DWG NO. 150 x 150 Stainless Steel Socket Asy		
CHK'D									A3		
APPV'D											
MFG											
Q.A							MATERIAL: 304L Stainless Steel		SCALE: 1:2		
							WEIGHT: 11676.16		SHEET 2 OF 6		

8 7 6 5 4 3 2 1

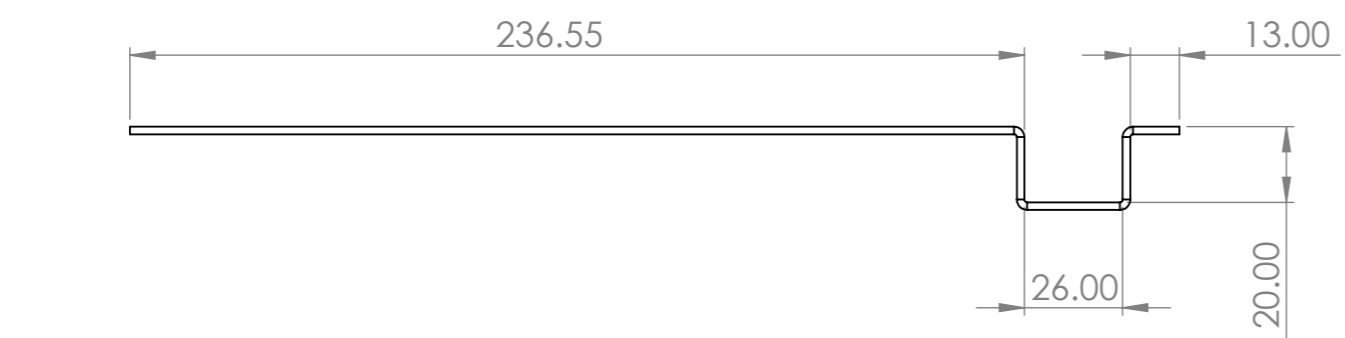
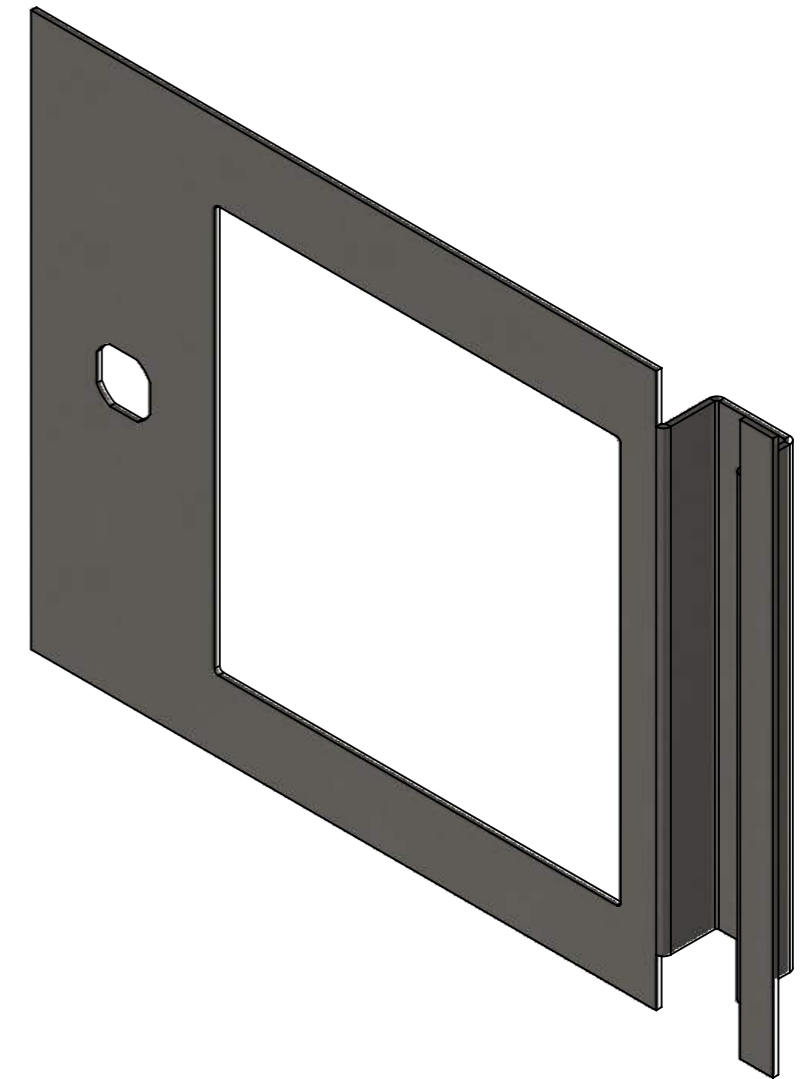
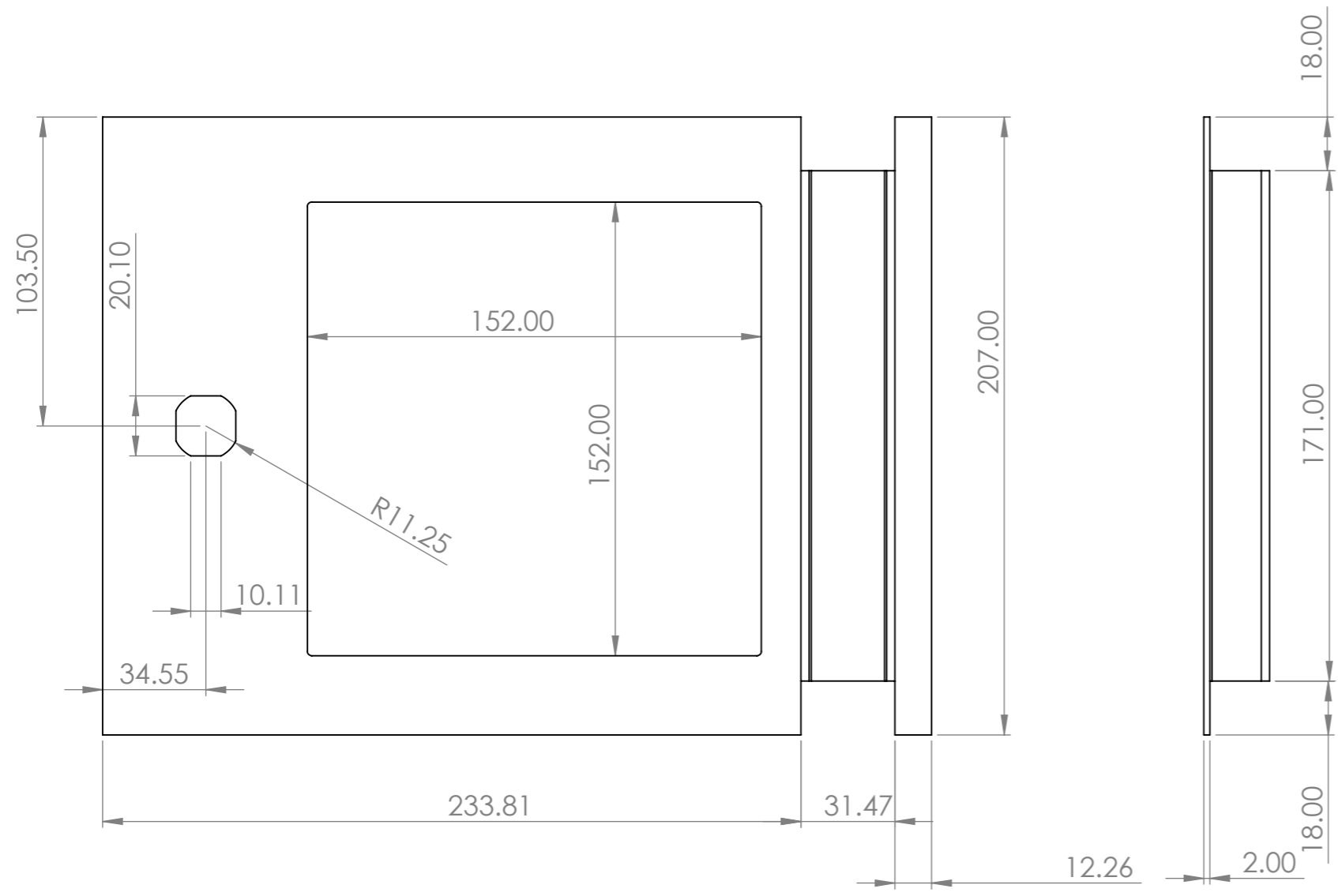


UNLESS OTHERWISE SPECIFIED: DIMENSIONS ARE IN MILLIMETERS		FINISH: Brushed Steel		DEBURR AND BREAK SHARP EDGES		DO NOT SCALE DRAWING		REVISION	
SURFACE FINISH:								150 x 150 Ground Plate	
TOLERANCES:									
LINEAR:						DRAWN		150 x 150 Stainless Steel Socket Asy	
ANGULAR:						CHK'D		DWG NO.	
						APPV'D		150 x 150 Stainless Steel Socket Asy	
						MFG		A3	
						Q.A		SHEET 3 OF 6	
						MATERIAL:		SCALE:1:5	
						304L Stainless Steel		WEIGHT: 11676.16	
						WEIGHT: 11676.16			

8 7 6 5 4 3 2 1


F

F



B

B

UNLESS OTHERWISE SPECIFIED: DIMENSIONS ARE IN MILLIMETERS SURFACE FINISH: TOLERANCES: LINEAR: ANGULAR:			FINISH: 2B Mill Finish		DEBURR AND BREAK SHARP EDGES		DO NOT SCALE DRAWING		REVISION				
													
							TITLE: 150 x 150 Guide Plate						
							MATERIAL: 304L Stainless Steel				DWG NO. 150 x 150 Stainless Steel Socket Asy		A3
							WEIGHT: 11676.16		SCALE: 1:2		SHEET 4 OF 6		
DRAWN	NAME	SIGNATURE	DATE										
CHK'D													
APPV'D													
MFG													
Q.A													

A

A

8 7 6 5 4 3 2 1

8 7 6 5 4 3 2 1

F

F

E

E

D

D

C

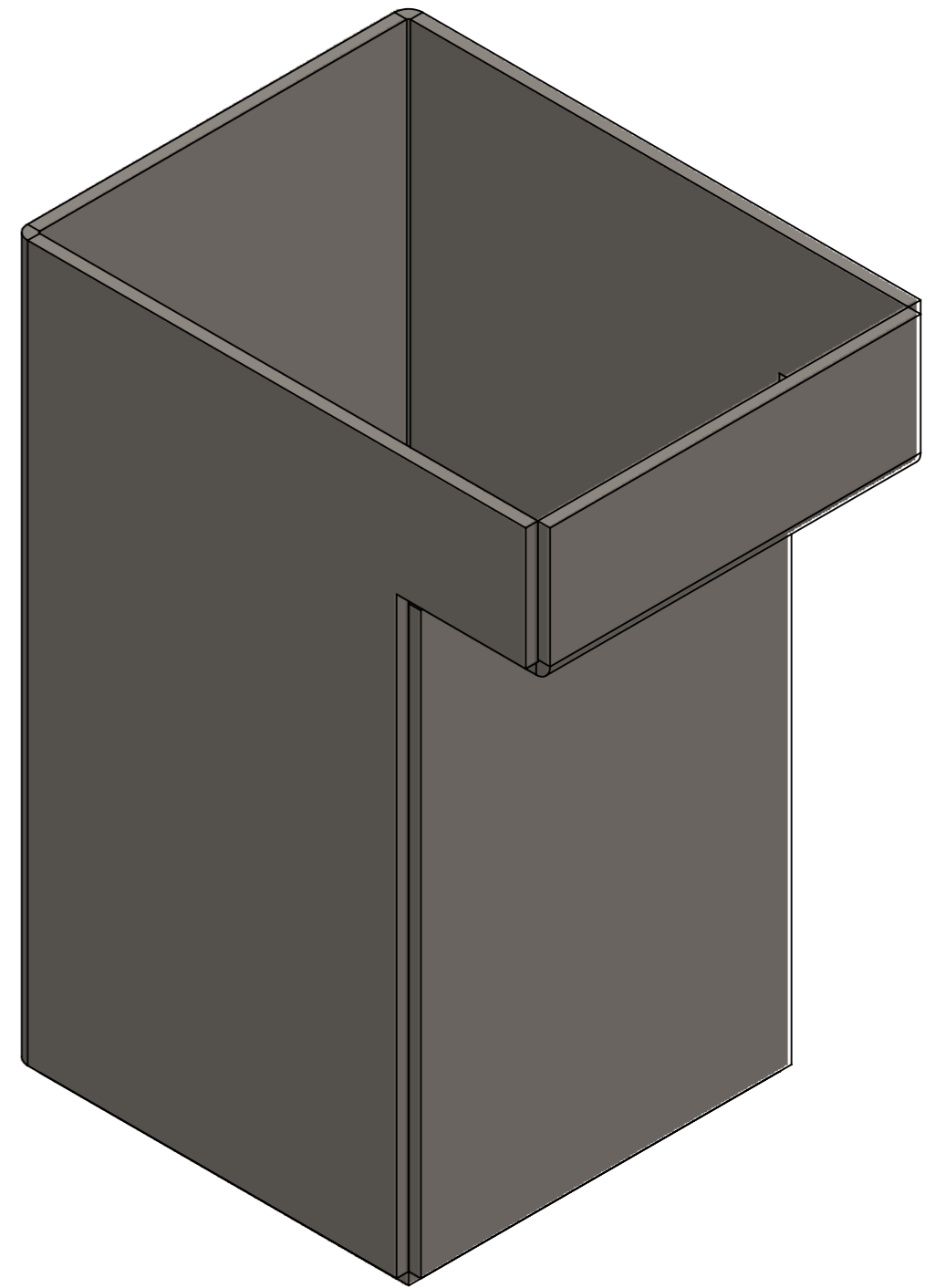
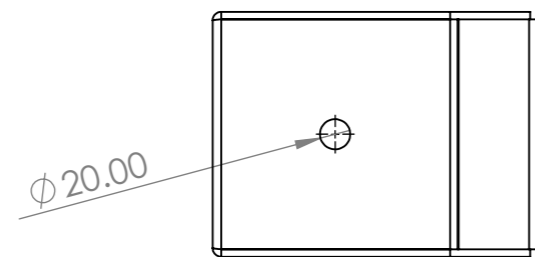
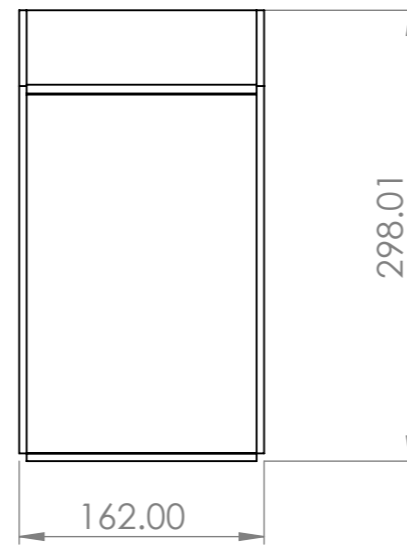
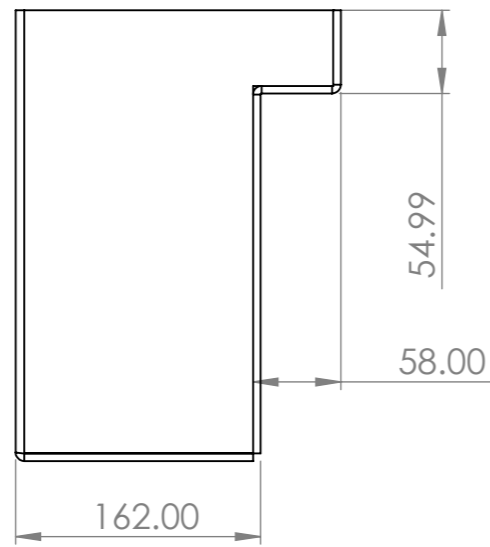
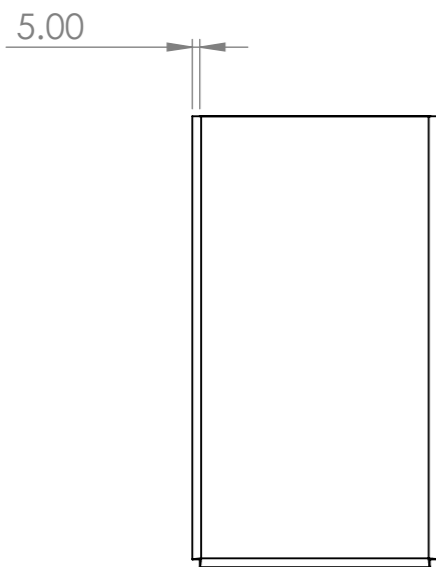
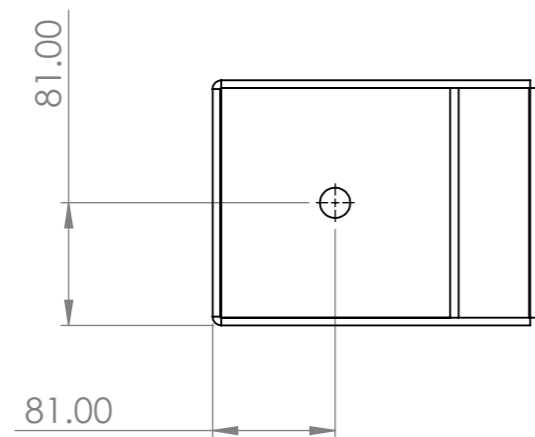
C


B

B

A

A



UNLESS OTHERWISE SPECIFIED: DIMENSIONS ARE IN MILLIMETERS SURFACE FINISH: TOLERANCES: LINEAR: ANGULAR:			FINISH: 2B Mill Finish		DEBURR AND BREAK SHARP EDGES		DO NOT SCALE DRAWING		REVISION		
											
							TITLE: 150 x 150 Socket				
DRAWN			NAME		SIGNATURE		DATE		DWG NO. 150 x 150 Stainless Steel Socket Asy		
CHK'D									A3		
APPV'D									SCALE:1:5		
MFG									SHEET 5 OF 6		
Q.A							MATERIAL: 304L Stainless Steel		WEIGHT: 11676.16		

8 7 6 5 4 3 2 1

