


DETAIL A
SCALE 2:1

UNLESS OTHERWISE SPECIFIED: DIMENSIONS ARE IN MILLIMETERS		FINISH: See Drawings	DEBURR AND BREAK SHARP EDGES	DO NOT SCALE DRAWING	REVISION
SURFACE FINISH: TOLERANCES: LINEAR: ANGULAR:				 TITLE: 150 x 150 Stainless Socket Asy	
DRAWN	NAME	SIGNATURE	DATE		
CHK'D				150 x 150 Stainless Steel Socket Asy	
APPV'D				SCALE:1:5	SHEET 1 OF 6
MFG				MATERIAL: 304L Stainless Steel	
Q.A				WEIGHT: 11676.16	

8 7 6 5 4 3 2 1

F

F

E

E

D

D

C

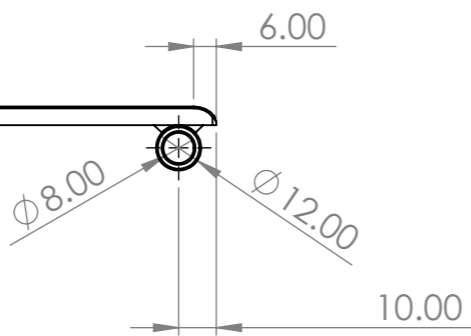
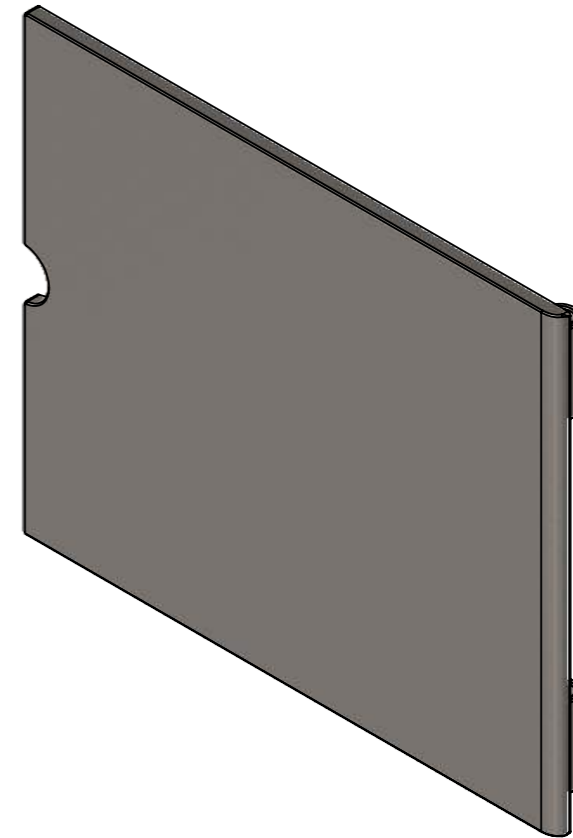
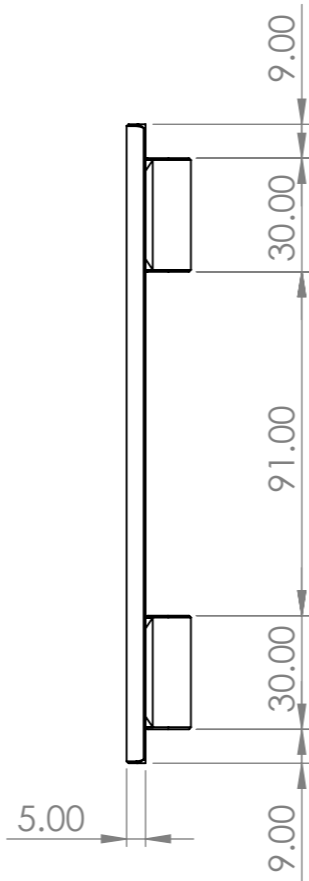
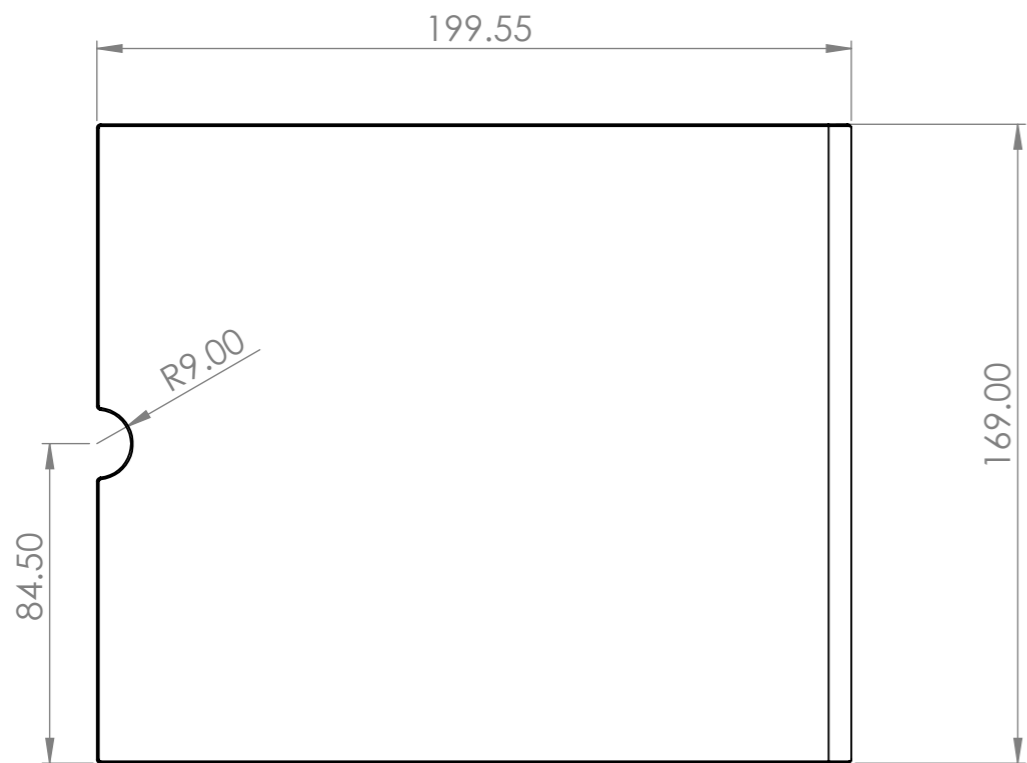
C

B

B

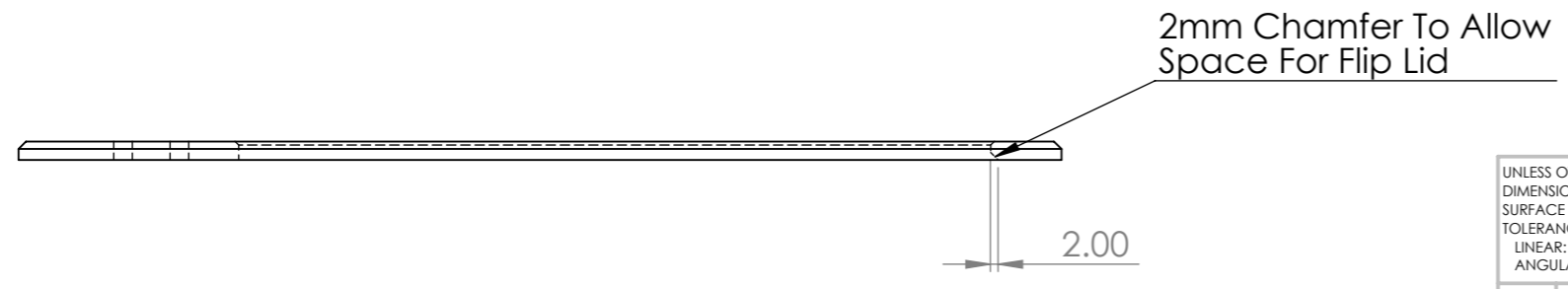
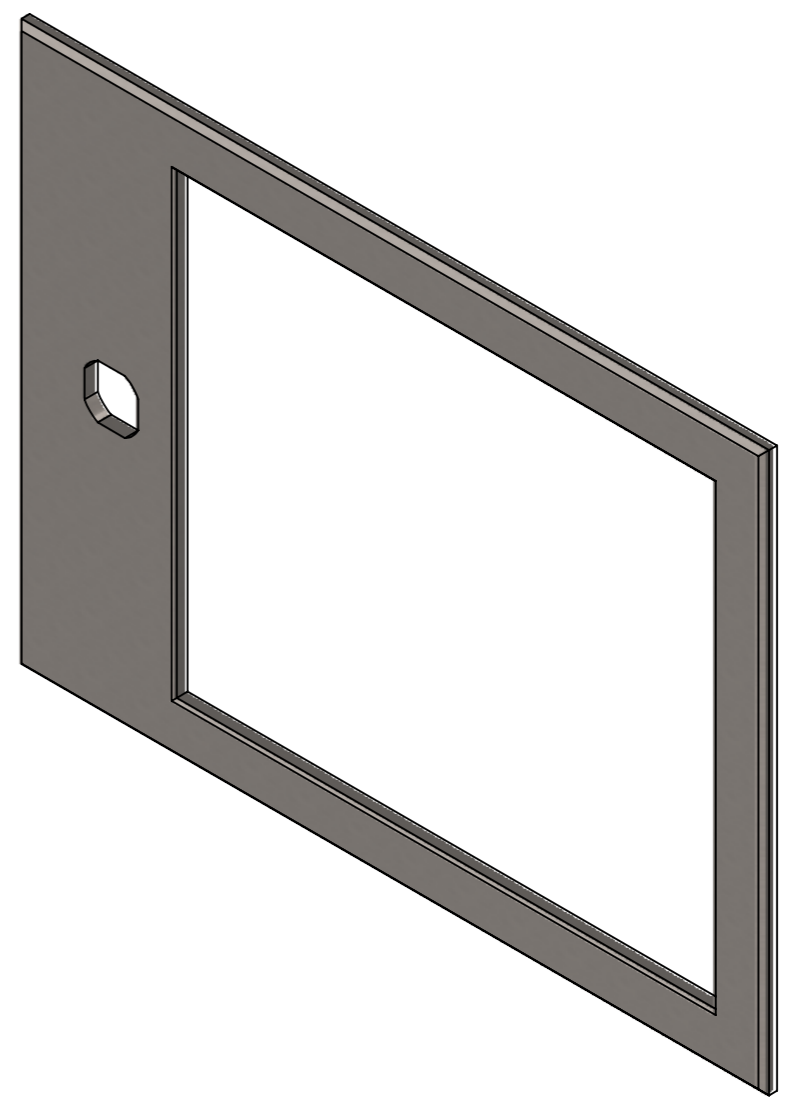
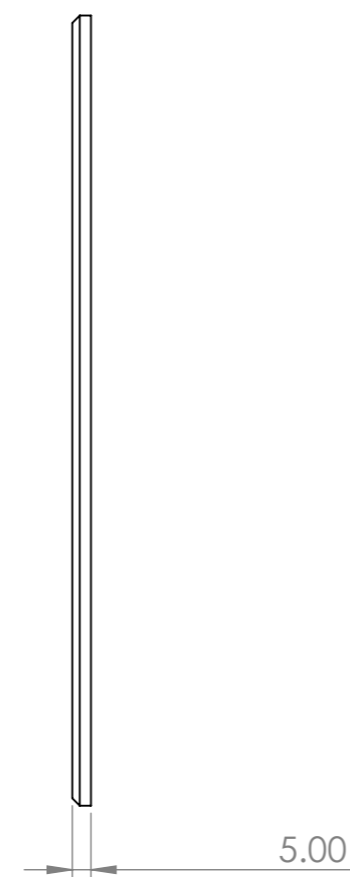
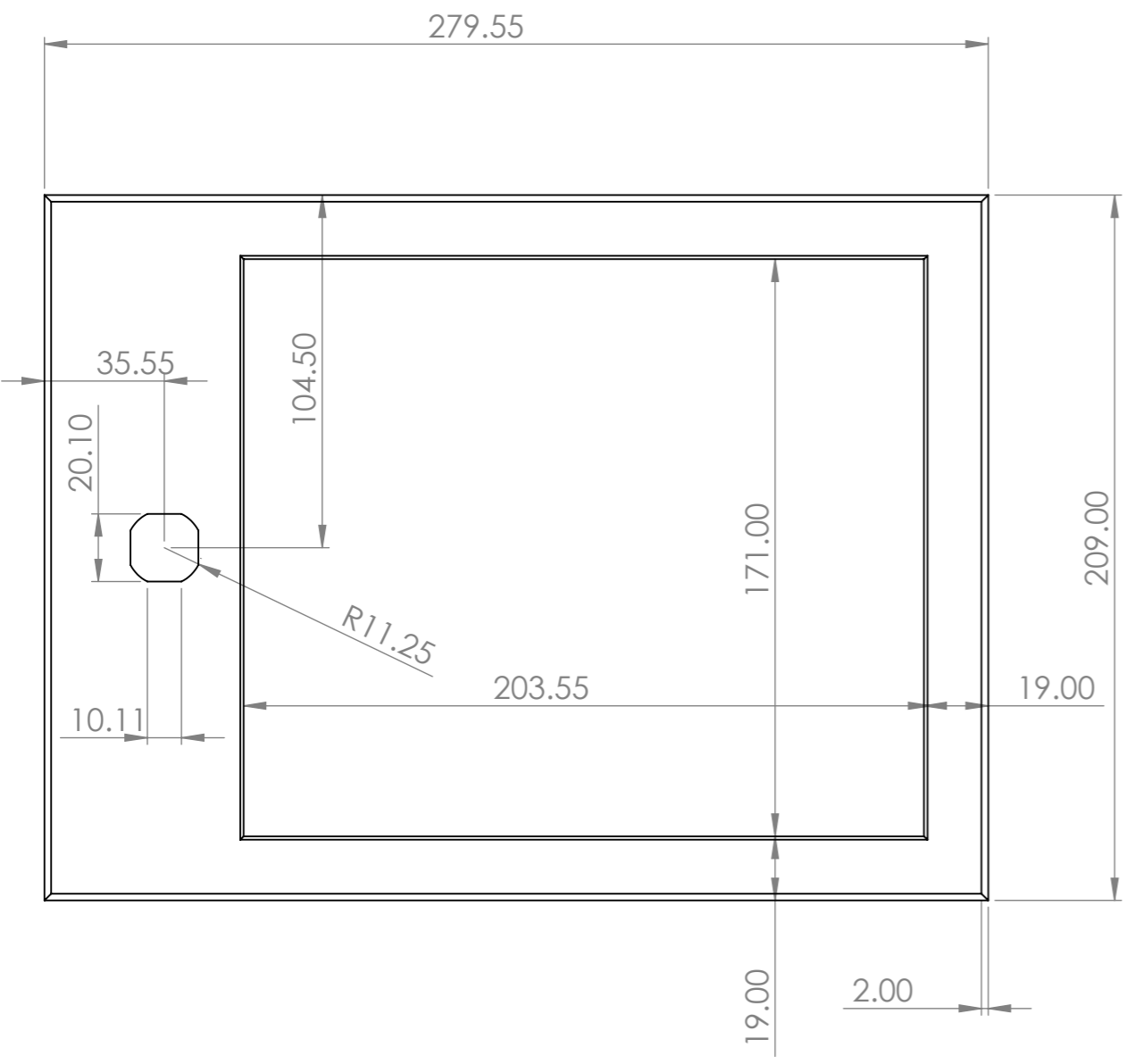
A


A



UNLESS OTHERWISE SPECIFIED: DIMENSIONS ARE IN MILLIMETERS SURFACE FINISH: TOLERANCES: LINEAR: ANGULAR:			FINISH: Brushed Steel		DEBURR AND BREAK SHARP EDGES		DO NOT SCALE DRAWING		REVISION		
							TITLE: 150 x 150 Flip Lid				
DRAWN			NAME		SIGNATURE		DATE		DWG NO. 150 x 150 Stainless Steel Socket Asy		
CHK'D									A3		
APPV'D									SCALE: 1:2		
MFG									SHEET 2 OF 6		
Q.A							MATERIAL: 304L Stainless Steel		WEIGHT: 11676.16		

8 7 6 5 4 3 2 1

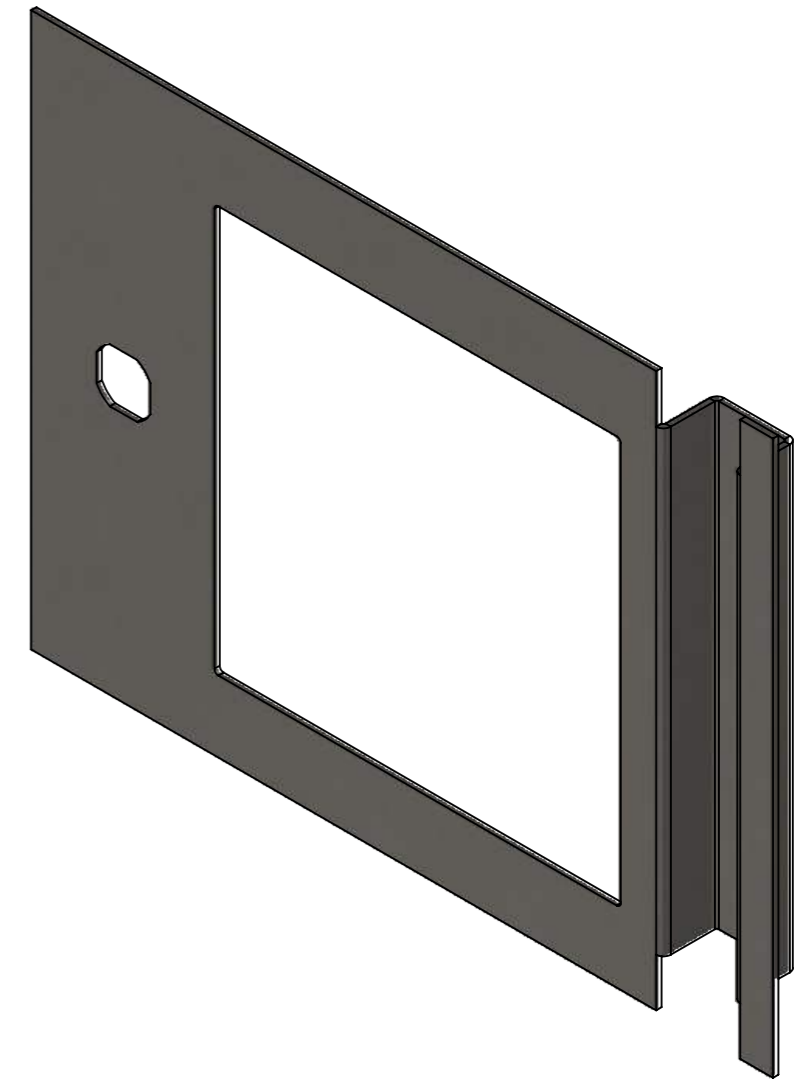
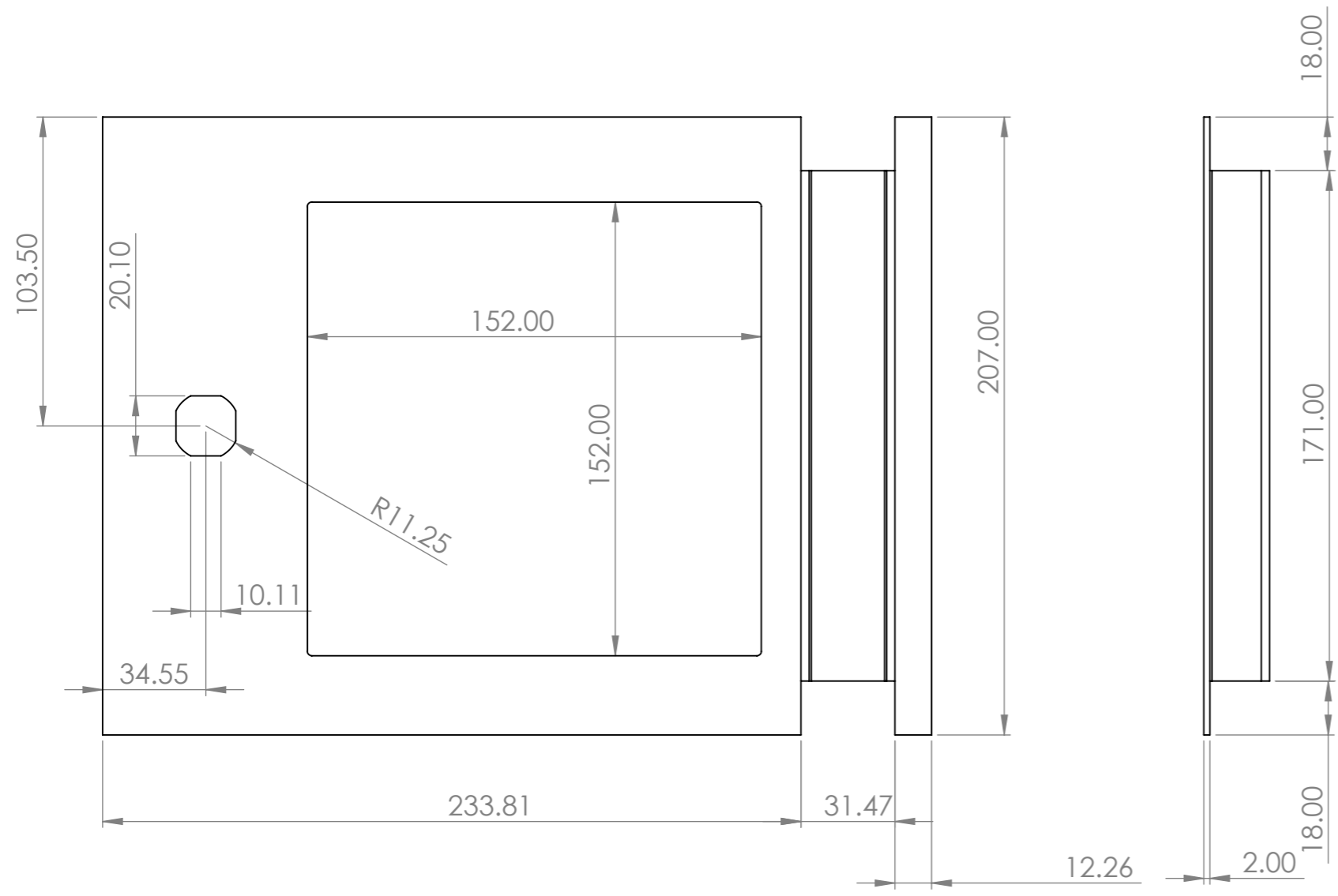


UNLESS OTHERWISE SPECIFIED: DIMENSIONS ARE IN MILLIMETERS				FINISH: Brushed Steel		DEBURR AND BREAK SHARP EDGES		DO NOT SCALE DRAWING		REVISION	
SURFACE FINISH:											
TOLERANCES:											
LINEAR:								TITLE: 150 x 150 Ground Plate			
ANGULAR:											
DRAWN		NAME		SIGNATURE		DATE		DWG NO.		A3	
CHK'D								150 x 150 Stainless Steel Socket Asy			
APPV'D								SCALE:1:5		SHEET 3 OF 6	
MFG								MATERIAL:			
Q.A								304L Stainless Steel			
								WEIGHT: 11676.16			

8 7 6 5 4 3 2 1

F

F



D

D

C

C

B

B

A

A

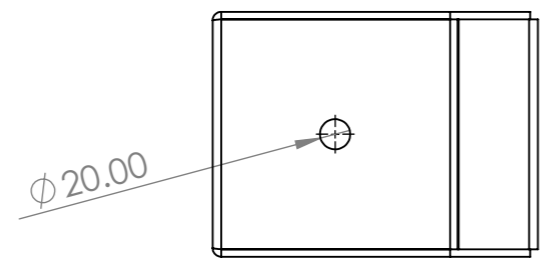
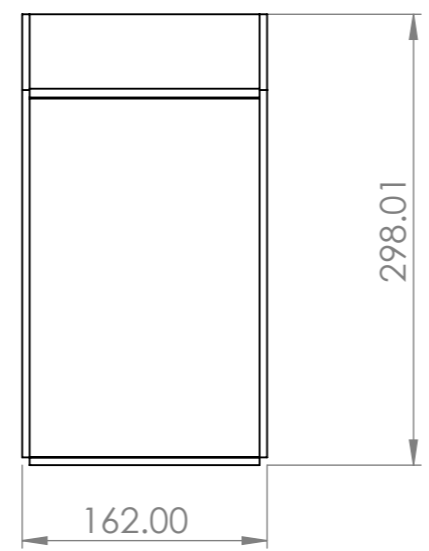
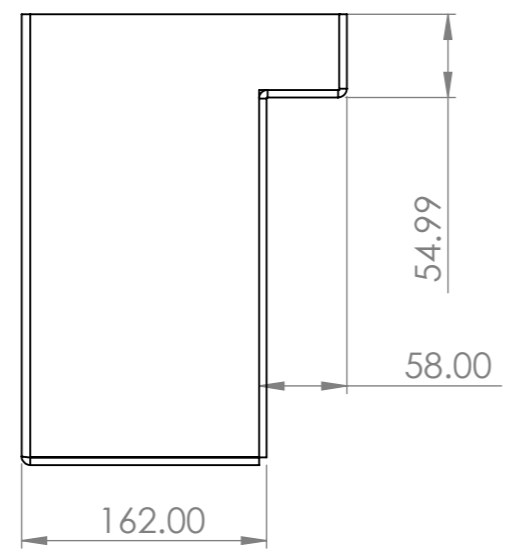
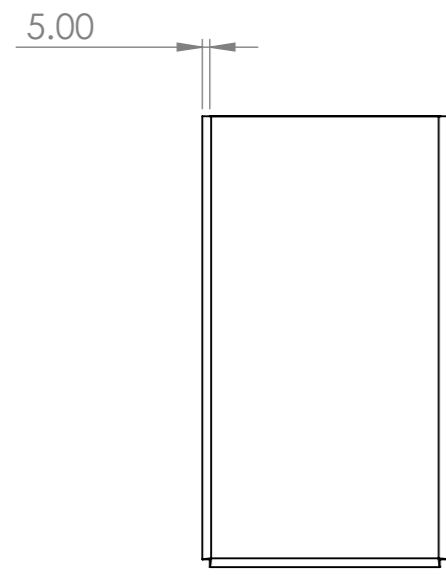
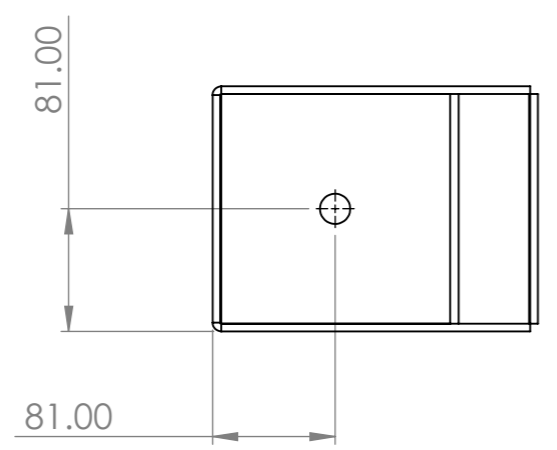
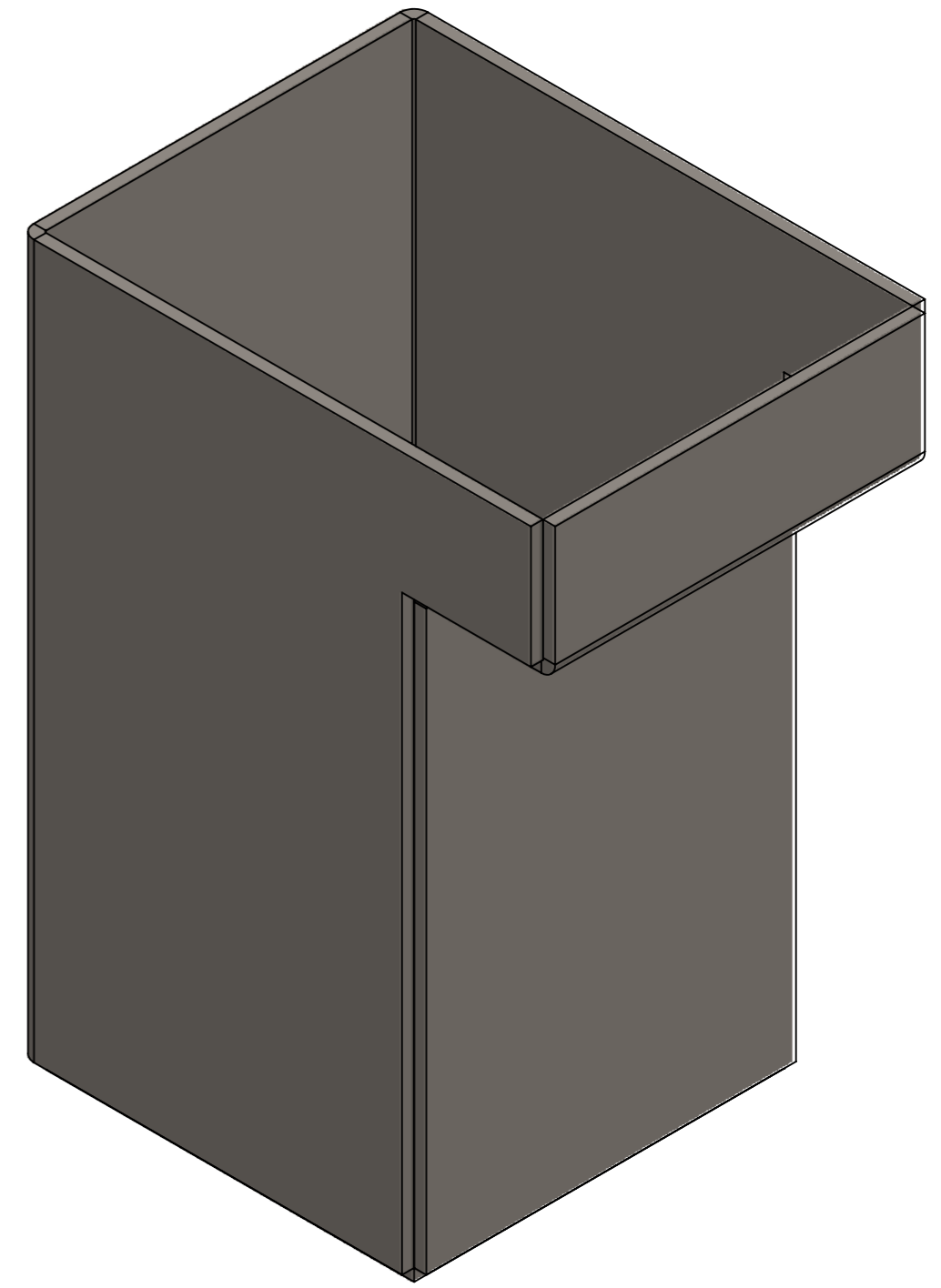
UNLESS OTHERWISE SPECIFIED: DIMENSIONS ARE IN MILLIMETERS SURFACE FINISH: TOLERANCES: LINEAR: ANGULAR:				FINISH: 2B Mill Finish		DEBURR AND BREAK SHARP EDGES		DO NOT SCALE DRAWING		REVISION	
								TITLE: 150 x 150 Guide Plate			
DRAWN						MATERIAL: 304L Stainless Steel		DWG NO. 150 x 150 Stainless Steel Socket Asy		A3	
CHK'D						WEIGHT: 11676.16		SCALE: 1:2		SHEET 4 OF 6	
APPV'D											
MFG											
Q.A											

8 7 6 5 4 3 2 1

8 7 6 5 4 3 2 1

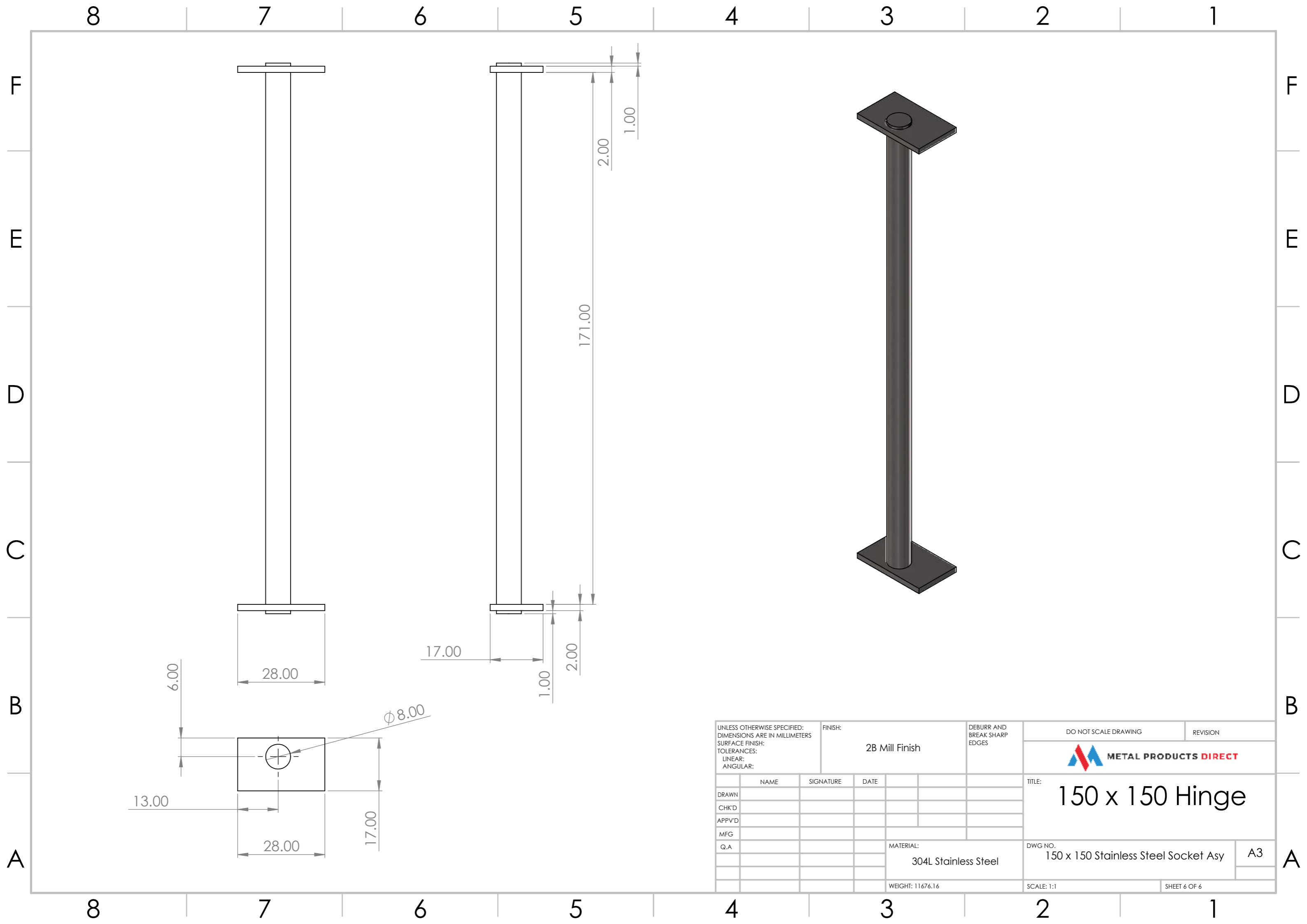
F
E
D
C
B
A


F
E
D
C
B
A



UNLESS OTHERWISE SPECIFIED: DIMENSIONS ARE IN MILLIMETERS SURFACE FINISH: TOLERANCES: LINEAR: ANGULAR:			FINISH: 2B Mill Finish		DEBURR AND BREAK SHARP EDGES		DO NOT SCALE DRAWING		REVISION			
							TITLE: 150 x 150 Socket					
DRAWN			NAME		SIGNATURE		DATE		DWG NO. 150 x 150 Stainless Steel Socket Asy			
CHK'D									A3			
APPV'D												
MFG												
Q.A												
							MATERIAL: 304L Stainless Steel		SCALE:1:5		SHEET 5 OF 6	
							WEIGHT: 11676.16					

8 7 6 5 4 3 2 1



UNLESS OTHERWISE SPECIFIED: DIMENSIONS ARE IN MILLIMETERS				FINISH: 2B Mill Finish		DEBURR AND BREAK SHARP EDGES		DO NOT SCALE DRAWING		REVISION	
SURFACE FINISH:											
TOLERANCES:											
LINEAR:								TITLE: <h1>150 x 150 Hinge</h1>			
ANGULAR:											
DRAWN		NAME		SIGNATURE		DATE		DWG NO.		A3	
CHK'D								150 x 150 Stainless Steel Socket Asy			
APPV'D								SCALE: 1:1		SHEET 6 OF 6	
MFG								WEIGHT: 11676.16			
Q.A											