

8 7 6 5 4 3 2 1

F

F

E

E

D

D

C

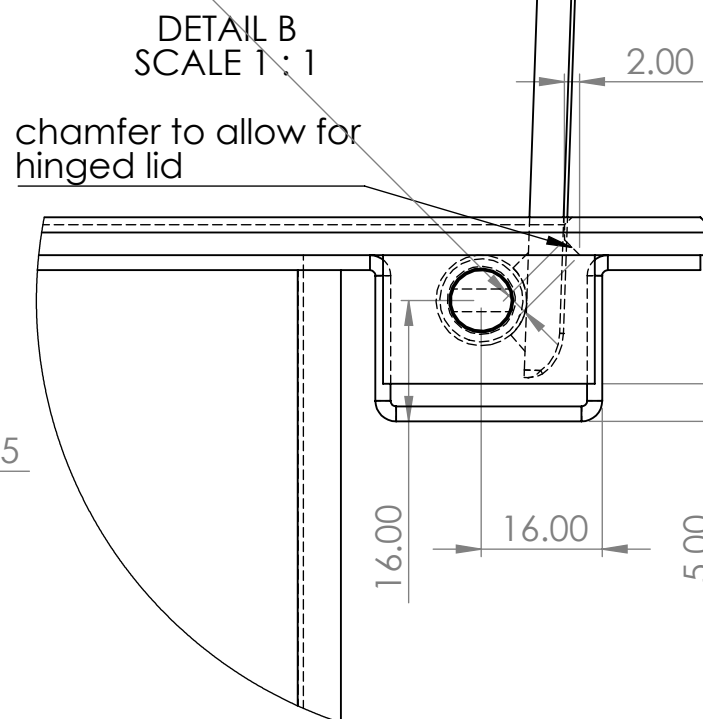
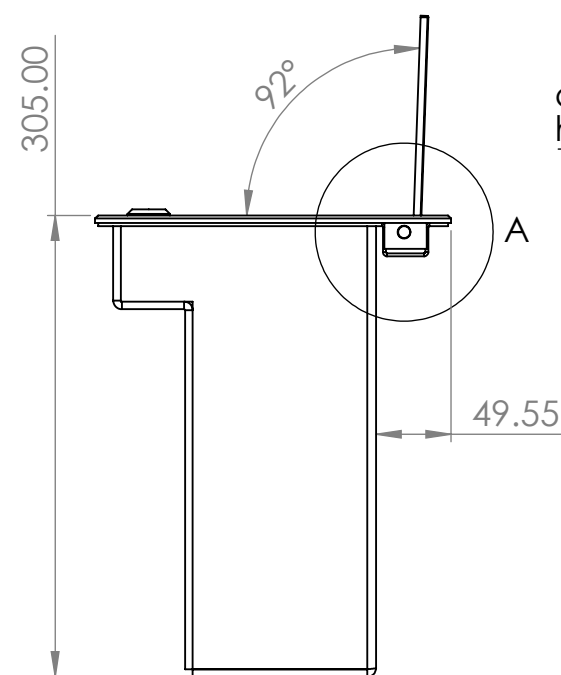
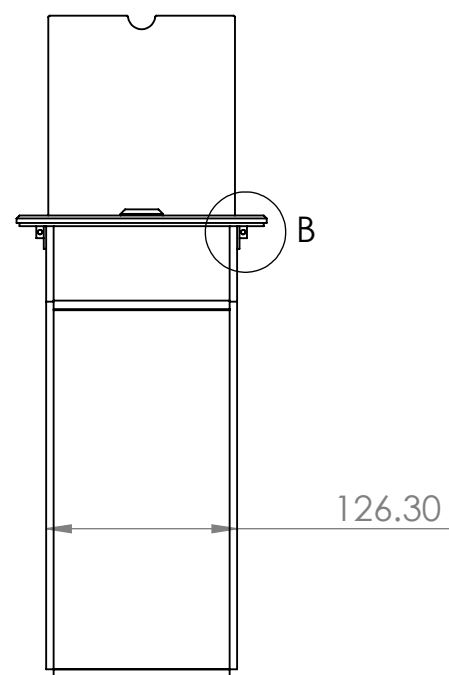
C

B

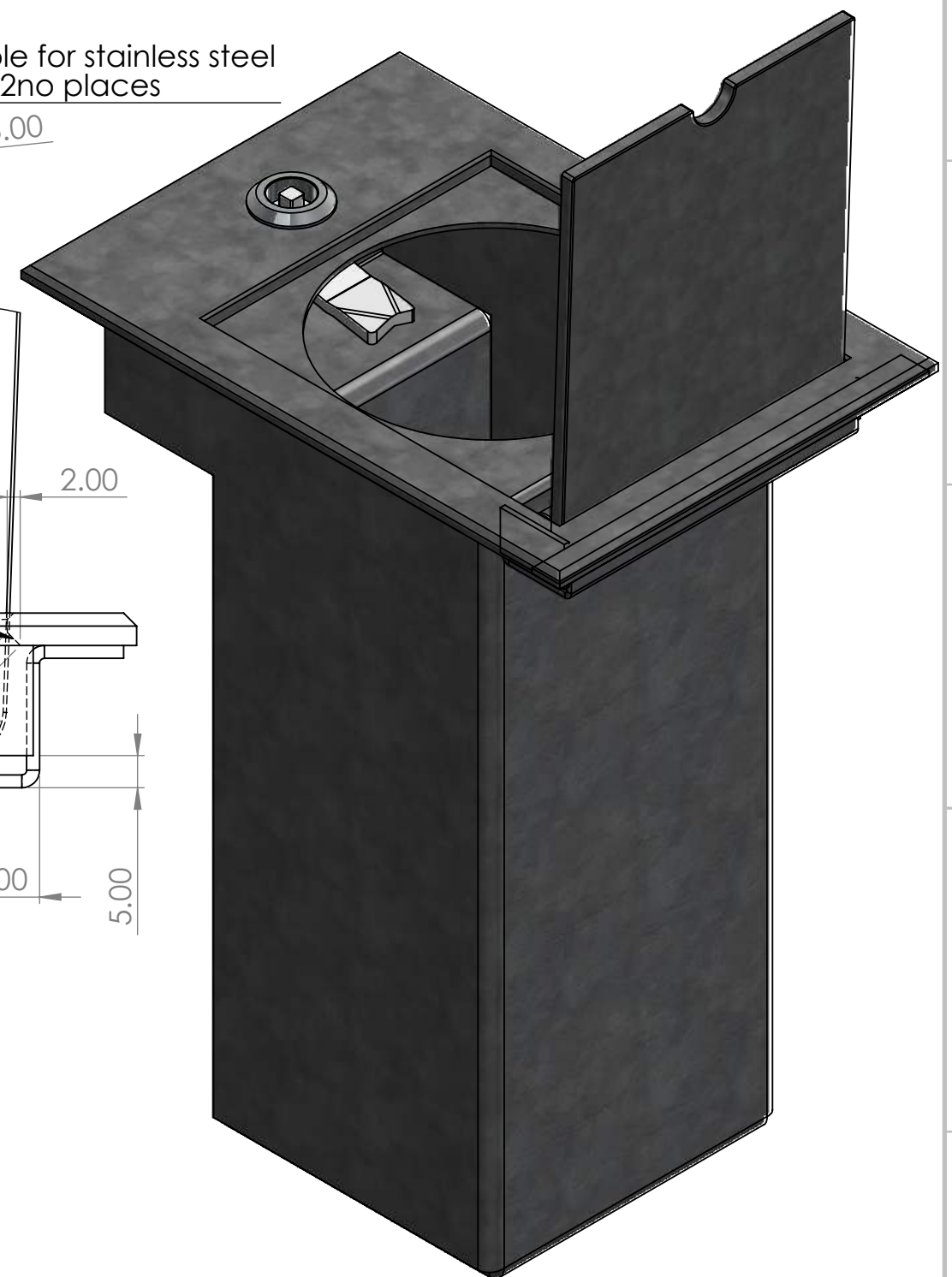
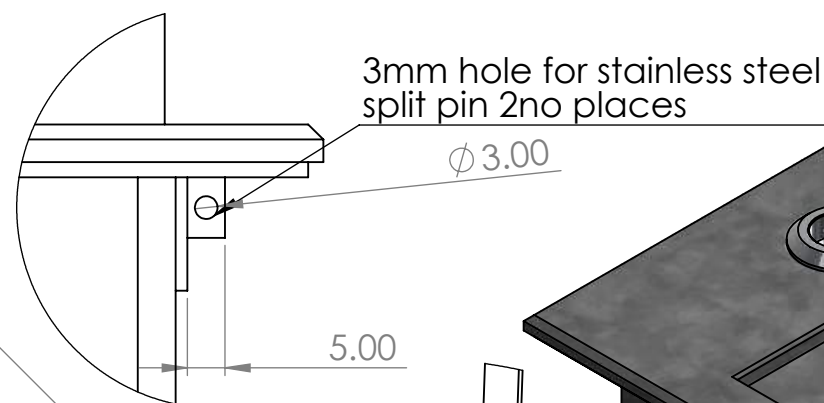
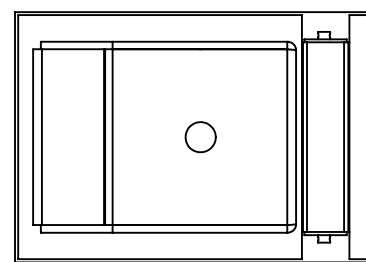
B

A

A



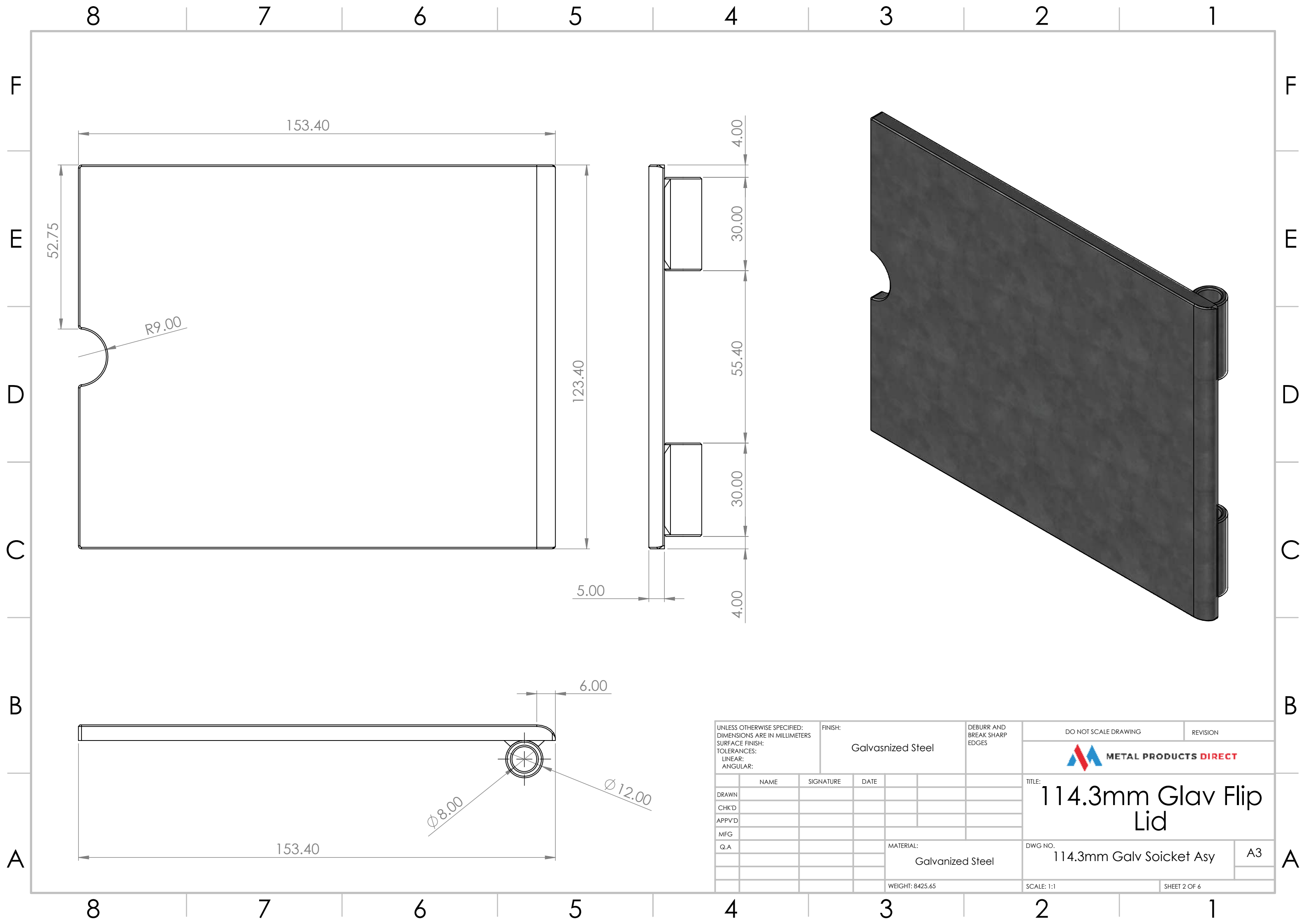
DETAIL B
SCALE 1 : 1
chamfer to allow for
hinged lid



DETAIL A
SCALE 1 : 1

UNLESS OTHERWISE SPECIFIED: DIMENSIONS ARE IN MILLIMETERS		FINISH: Galvanized		DEBURR AND BREAK SHARP EDGES		DO NOT SCALE DRAWING		REVISION	
SURFACE FINISH:								TITLE: 114.3mm Galv Bollard Socket	
TOLERANCES: LINEAR: ANGULAR:									
DRAWN	NAME	SIGNATURE	DATE	MATERIAL: Galvanized Steel		SCALE:1:5		SHEET 1 OF 6	
CHK'D				WEIGHT: 8425.65					
APPV'D									
MFG									
Q.A									

8 7 6 5 4 3 2 1



8 7 6 5 4 3 2 1

F

F

E

E

D

D

C

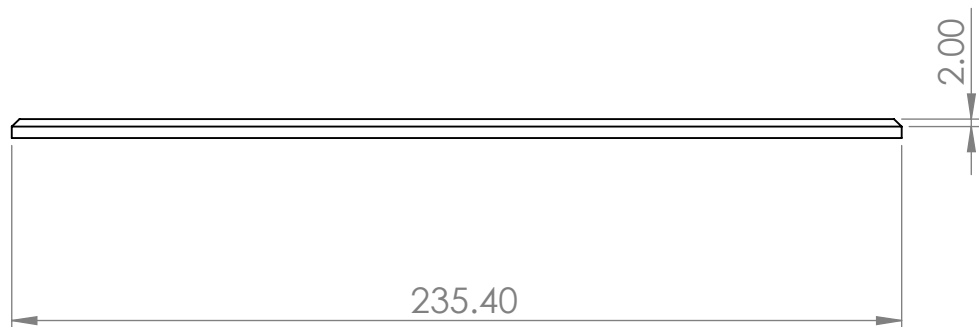
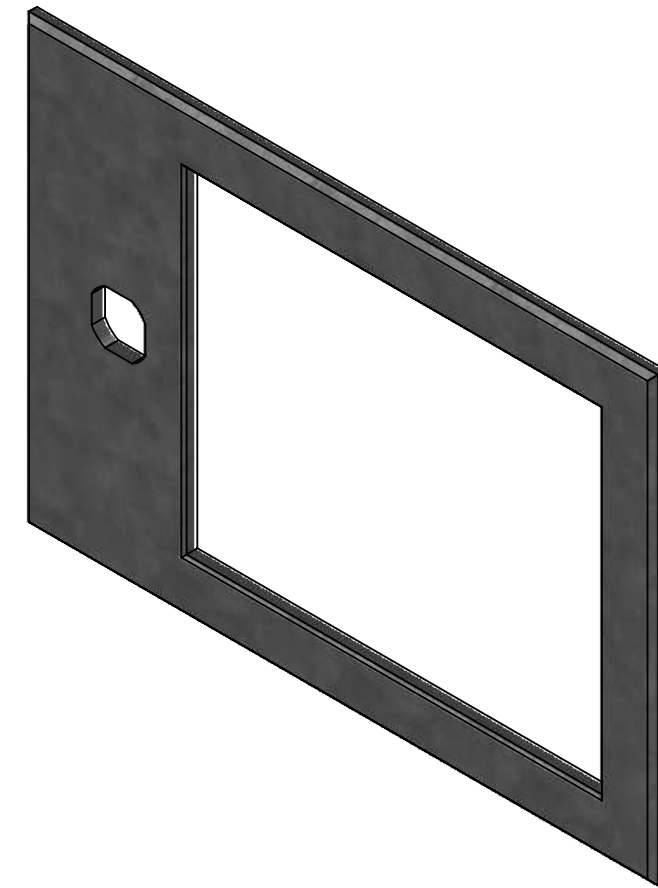
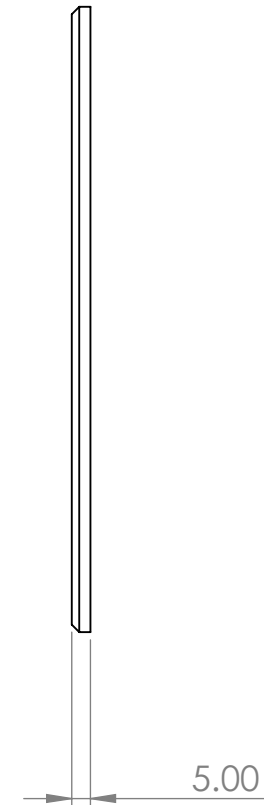
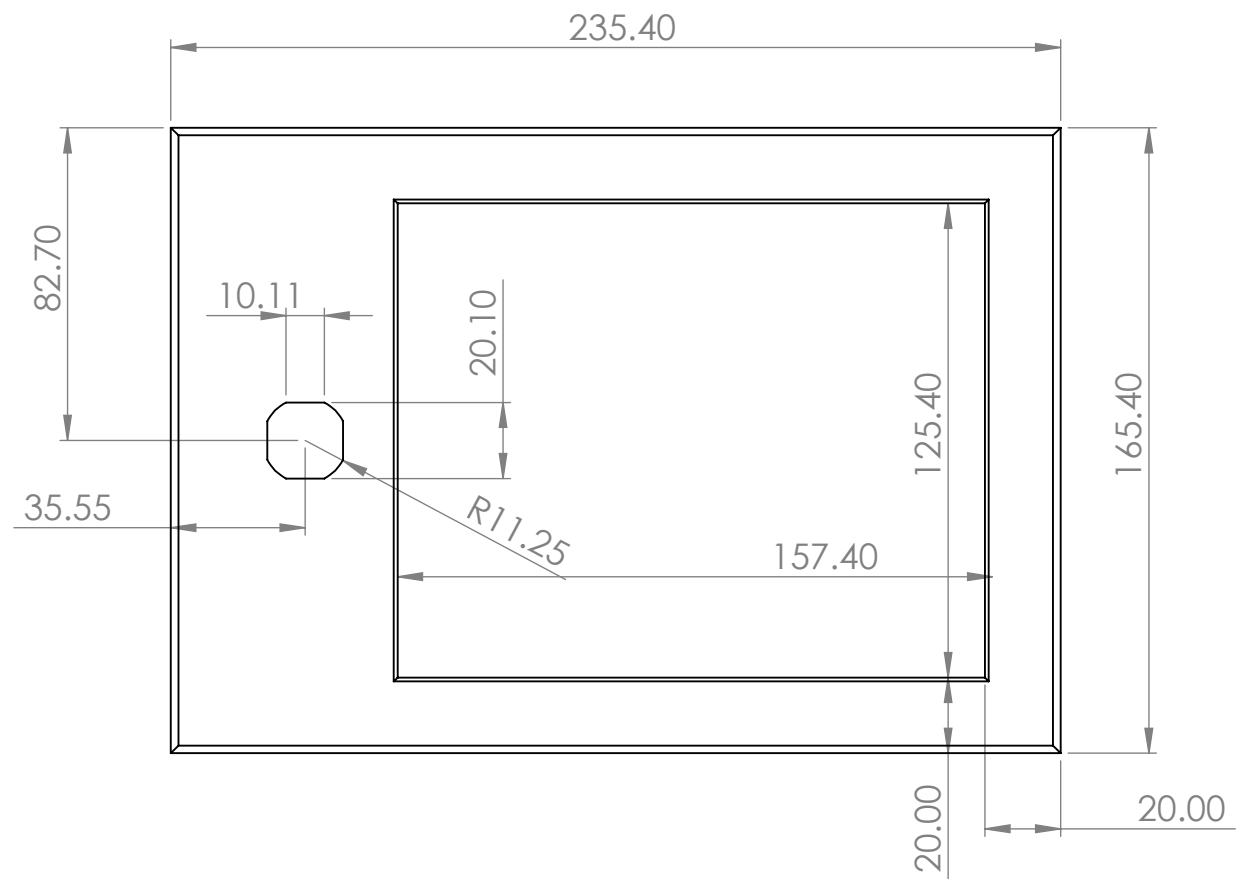
C

B

B

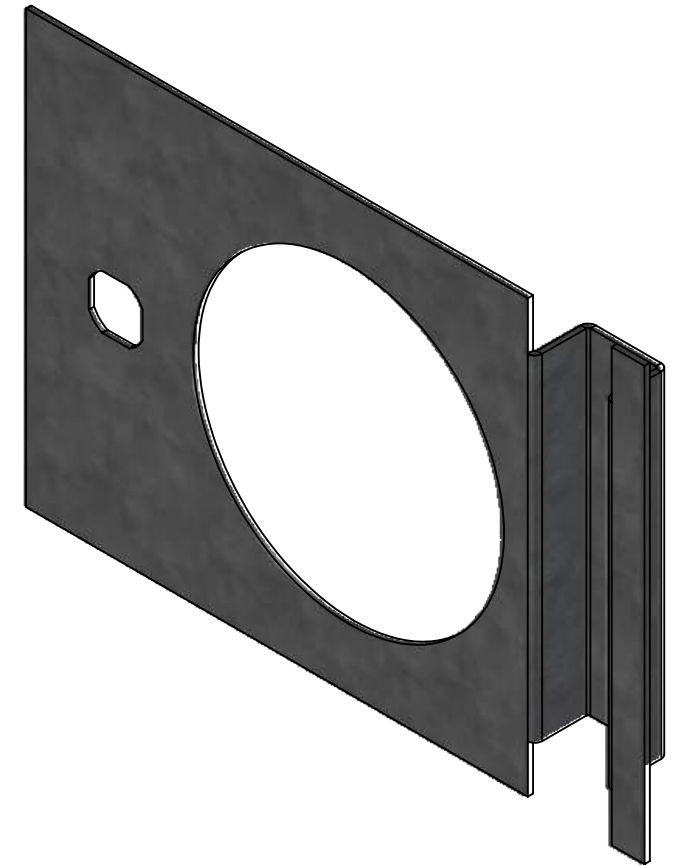
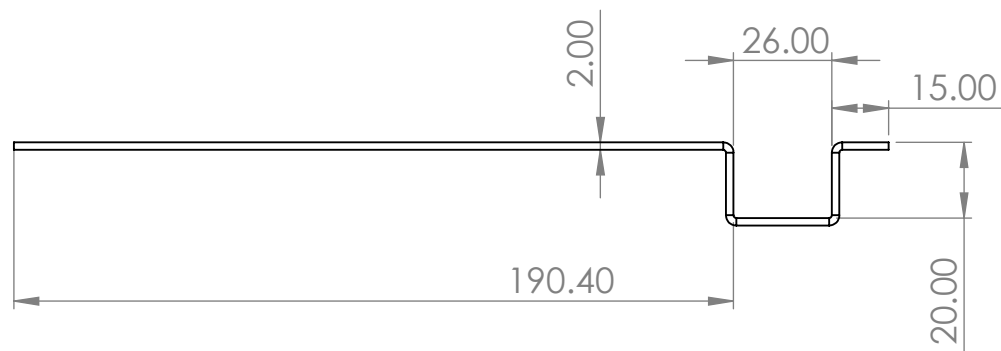
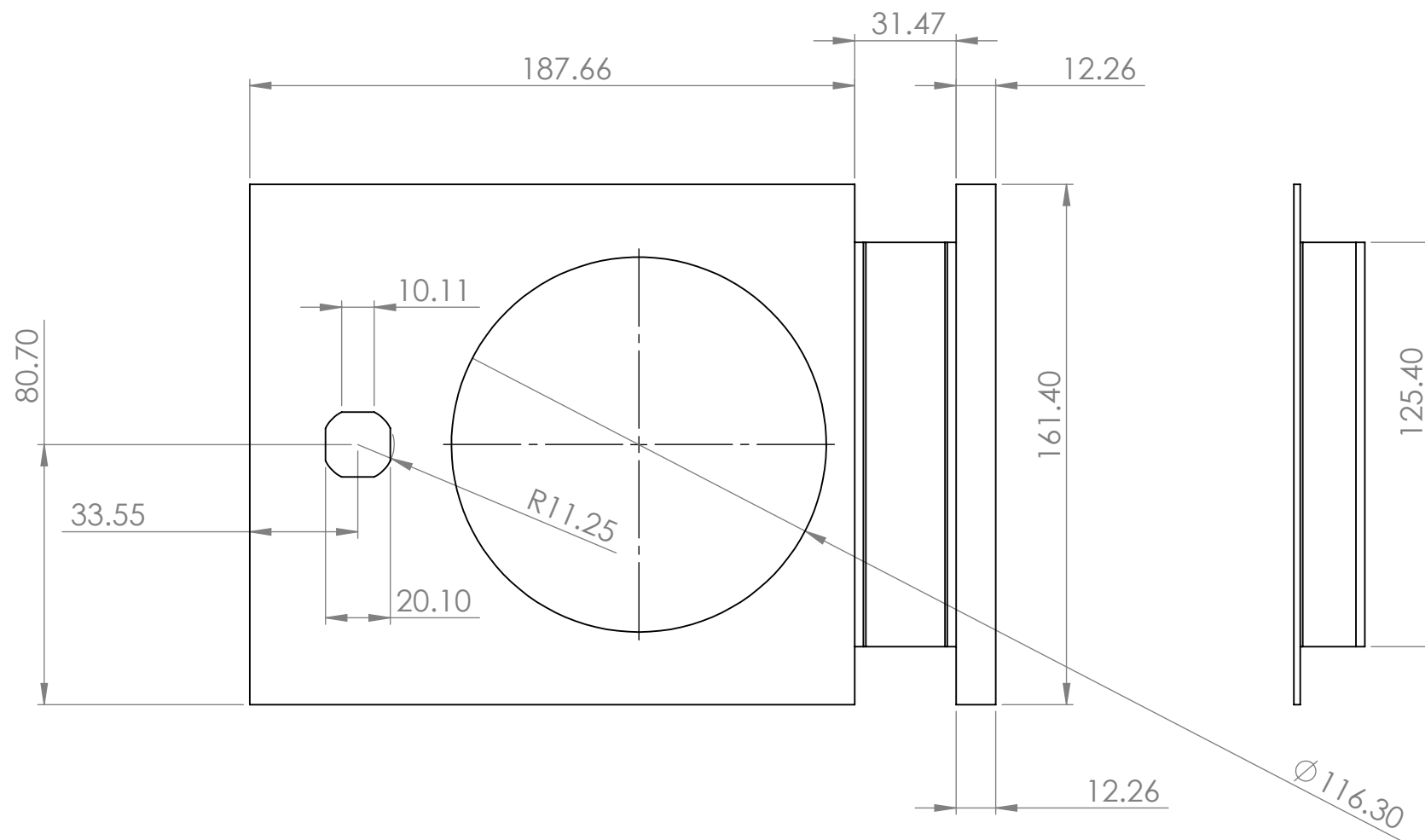
A

A



UNLESS OTHERWISE SPECIFIED: DIMENSIONS ARE IN MILLIMETERS SURFACE FINISH: TOLERANCES: LINEAR: ANGULAR:			FINISH: Galvanized		DEBURR AND BREAK SHARP EDGES		DO NOT SCALE DRAWING		REVISION		
							TITLE: 114.3mm Ground Plate				
DRAWN			NAME		SIGNATURE		DATE		DWG NO. 114.3mm Galv Soicket Asy		
CHK'D									A3		
APPV'D									SCALE 1:2		
MFG									SHEET 3 OF 6		
Q.A							MATERIAL: Galvanized Steel		WEIGHT: 8425.65		

8 7 6 5 4 3 2 1



UNLESS OTHERWISE SPECIFIED: DIMENSIONS ARE IN MILLIMETERS SURFACE FINISH: TOLERANCES: LINEAR: ANGULAR:			FINISH: Galvanized		DEBURR AND BREAK SHARP EDGES		DO NOT SCALE DRAWING		REVISION			
							TITLE: 114.3mm Galv Guide Plate					
							DWG NO. 114.3mm Galv Soicket Asy				A3	
							WEIGHT: 8425.65		SCALE: 1:2		SHEET 4 OF 6	
DRAWN		NAME		SIGNATURE		DATE						
CHK'D												
APPV'D												
MFG												
Q.A												
							MATERIAL: Galvanized Steel					

8 7 6 5 4 3 2 1

F

F

E

E

D

D

C

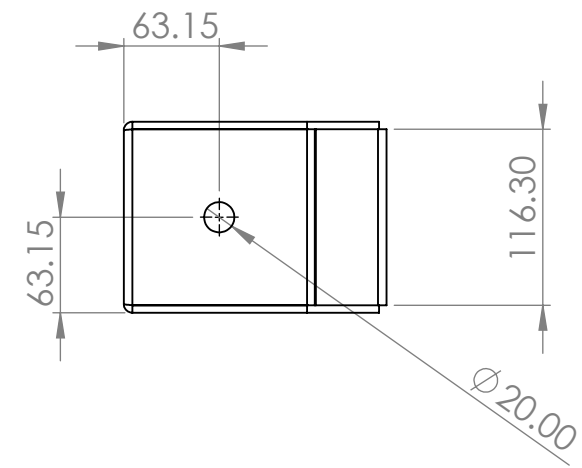
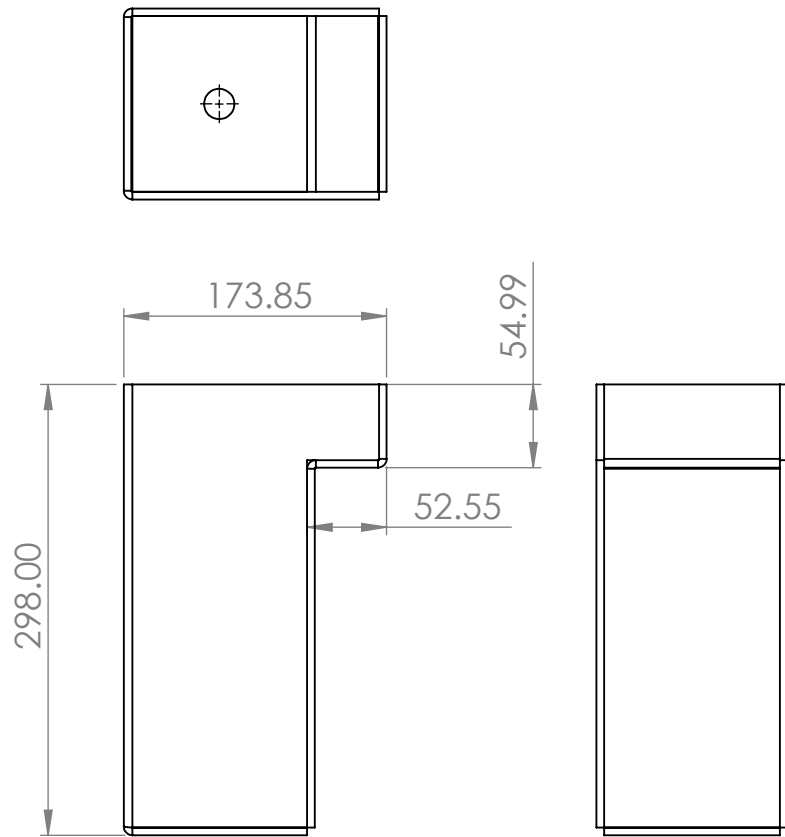
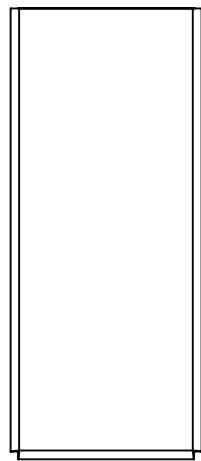
C


B

B

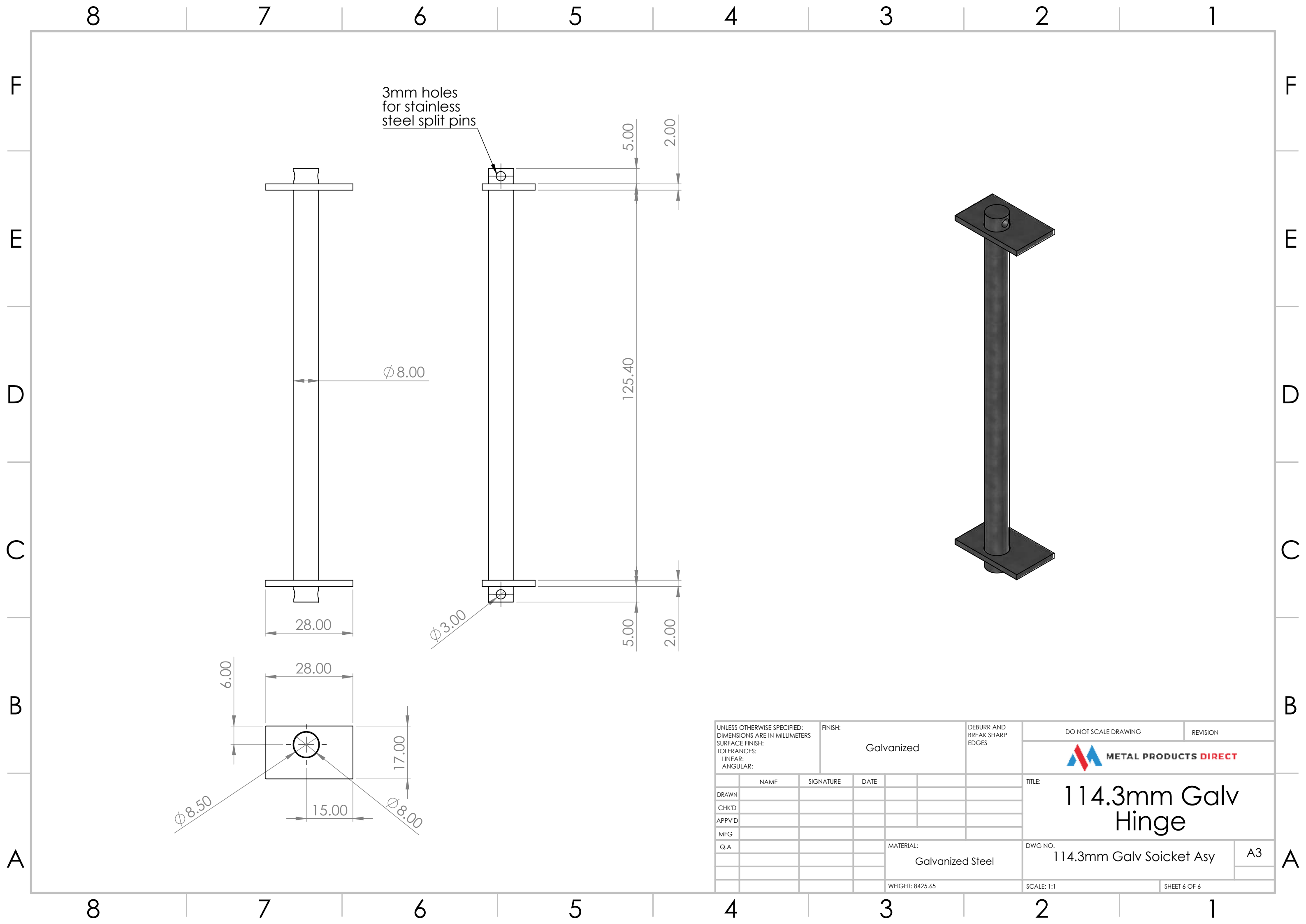
A

A



UNLESS OTHERWISE SPECIFIED: DIMENSIONS ARE IN MILLIMETERS SURFACE FINISH: TOLERANCES: LINEAR: ANGULAR:				FINISH: Galvanized		DEBURR AND BREAK SHARP EDGES		DO NOT SCALE DRAWING		REVISION	
											
								TITLE: 114.3 Galv Bollard Socket			
								DWG NO. 114.3mm Galv Soicket Asy		A3	
								SCALE:1:5		SHEET 5 OF 6	

8 7 6 5 4 3 2 1



3mm holes for stainless steel split pins

Ø 8.00

Ø 3.00

Ø 8.50

Ø 8.00

UNLESS OTHERWISE SPECIFIED: DIMENSIONS ARE IN MILLIMETERS SURFACE FINISH: TOLERANCES: LINEAR: ANGULAR:				FINISH: Galvanized		DEBURR AND BREAK SHARP EDGES		DO NOT SCALE DRAWING		REVISION	
								TITLE: 114.3mm Galv Hinge			
DRAWN						MATERIAL: Galvanized Steel		DWG NO. 114.3mm Galv Soicket Asy		A3	
CHK'D						WEIGHT: 8425.65		SCALE: 1:1		SHEET 6 OF 6	
APPV'D											
MFG											
Q.A											