

8 7 6 5 4 3 2 1

F

F

E

E

D

D

C

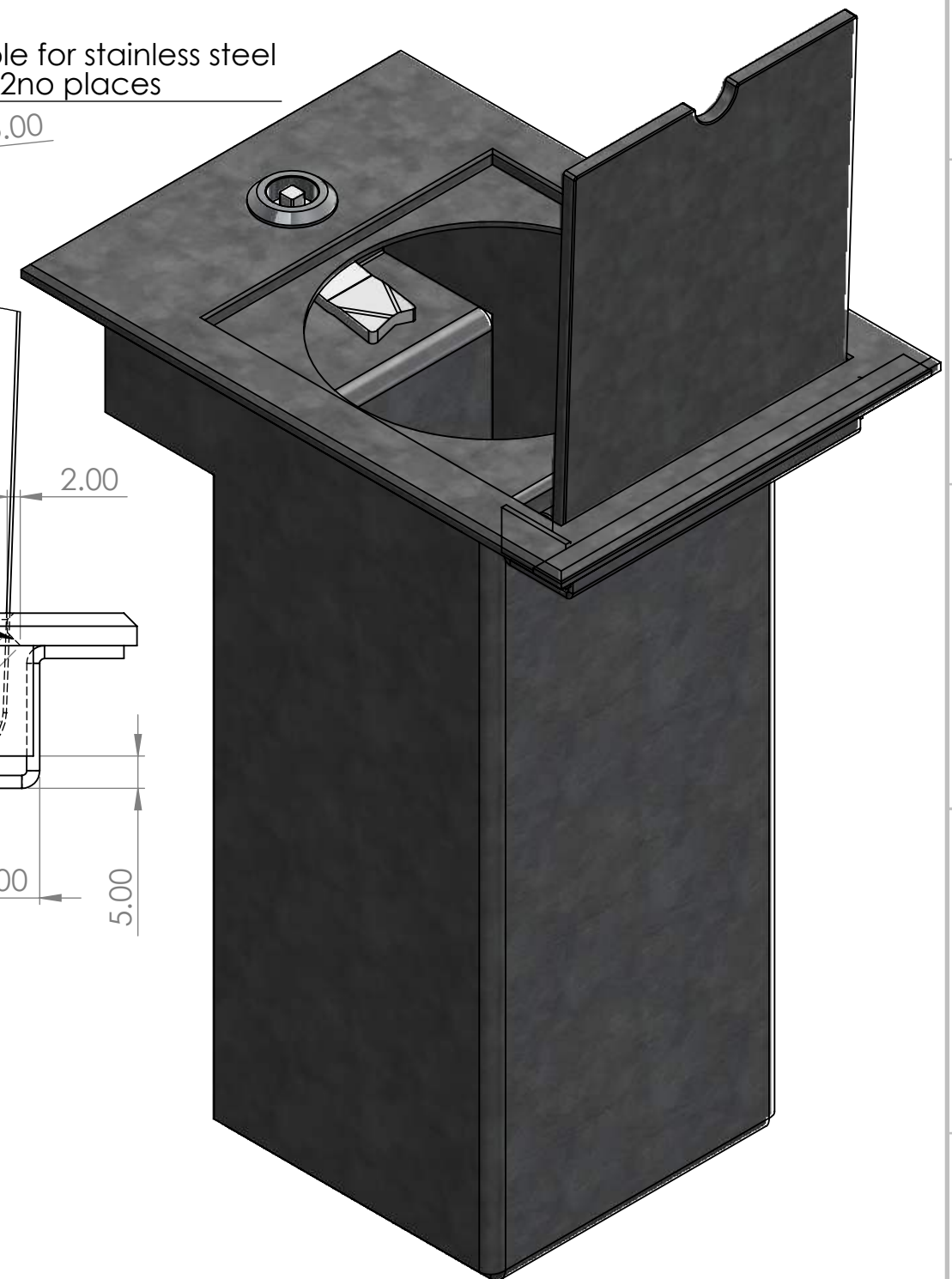
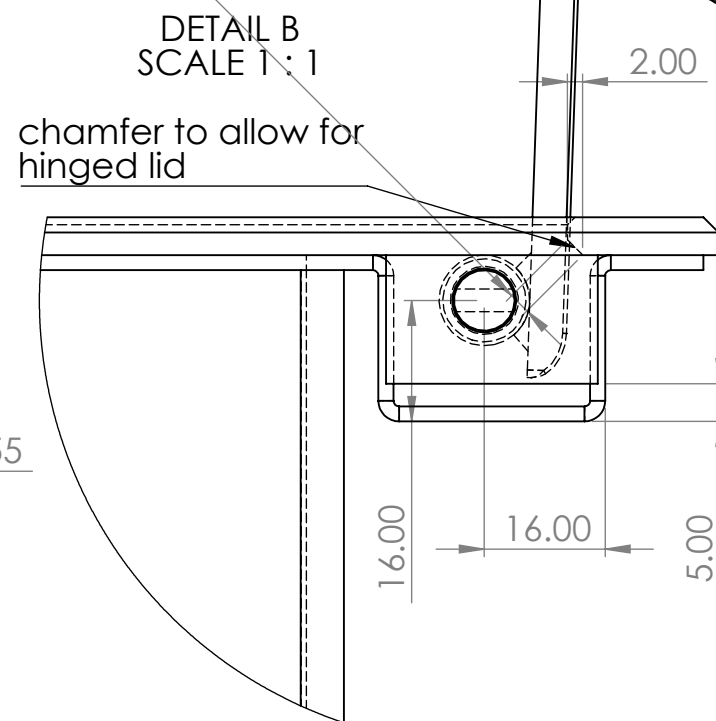
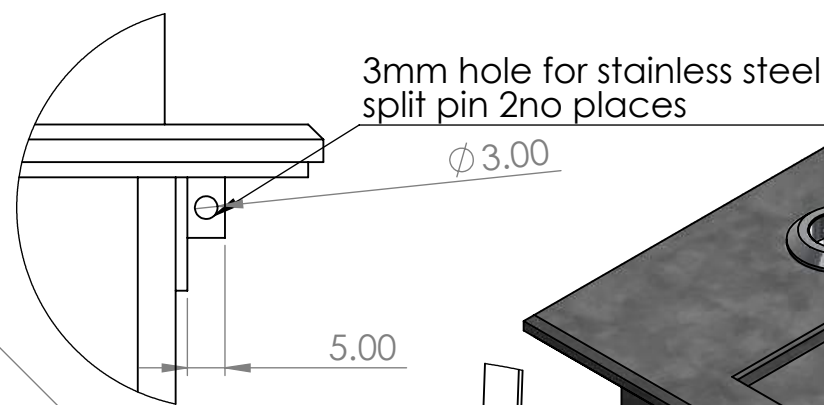
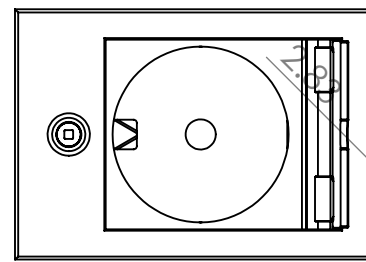
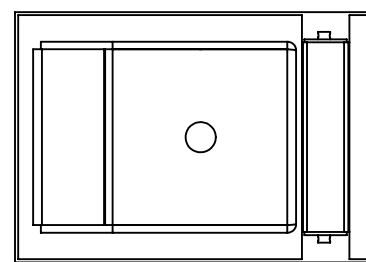
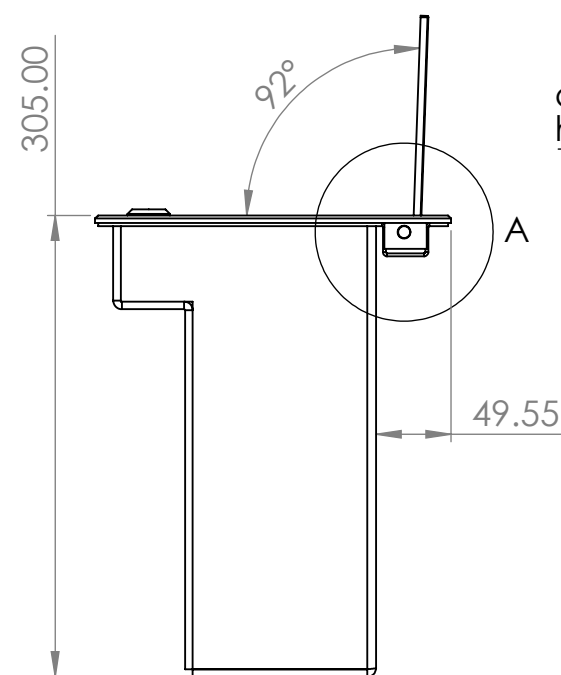
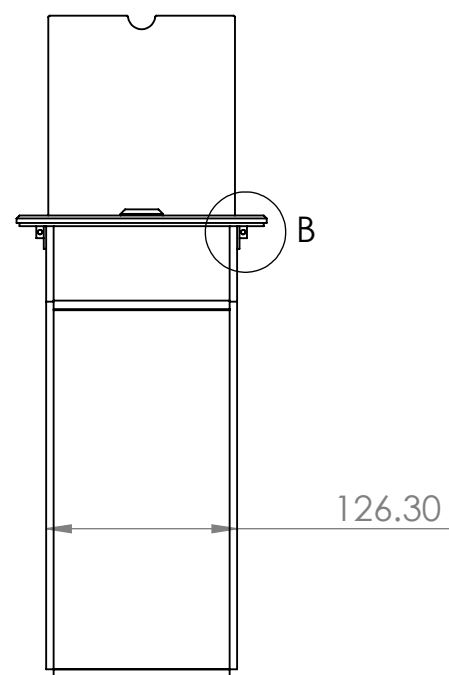
C

B

B

A

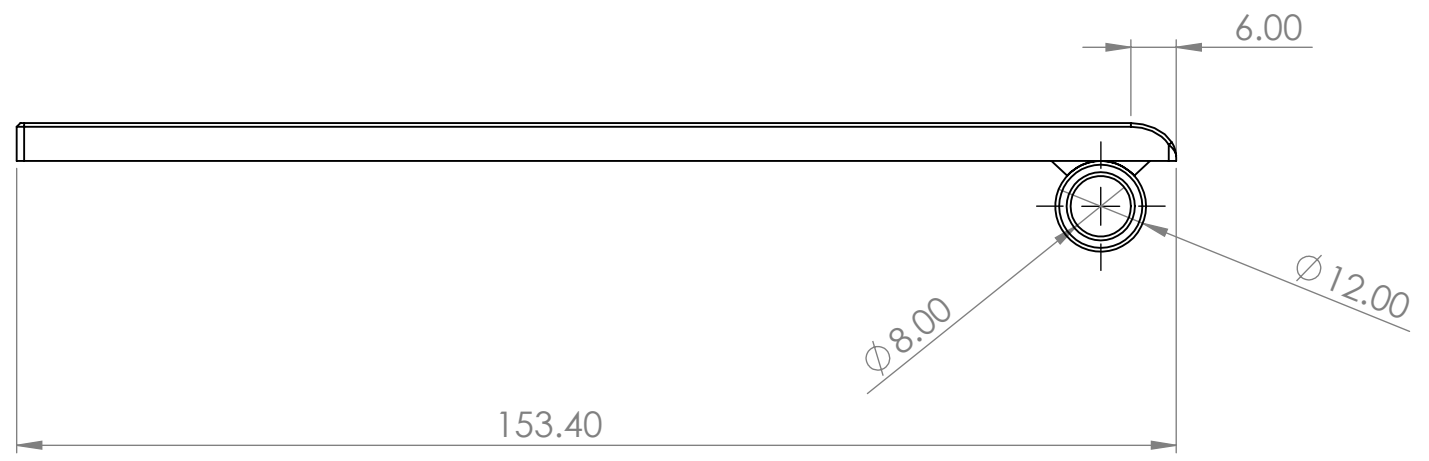
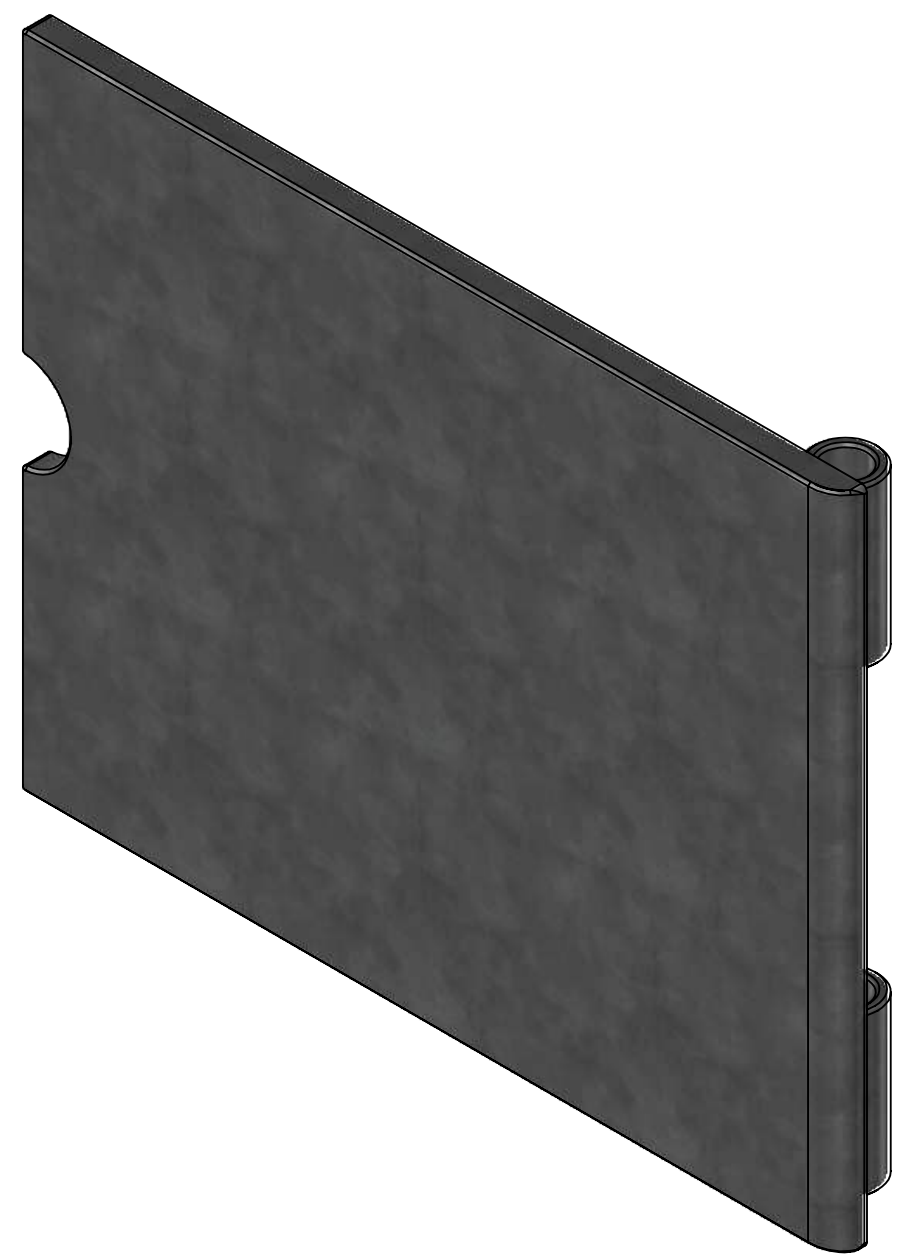
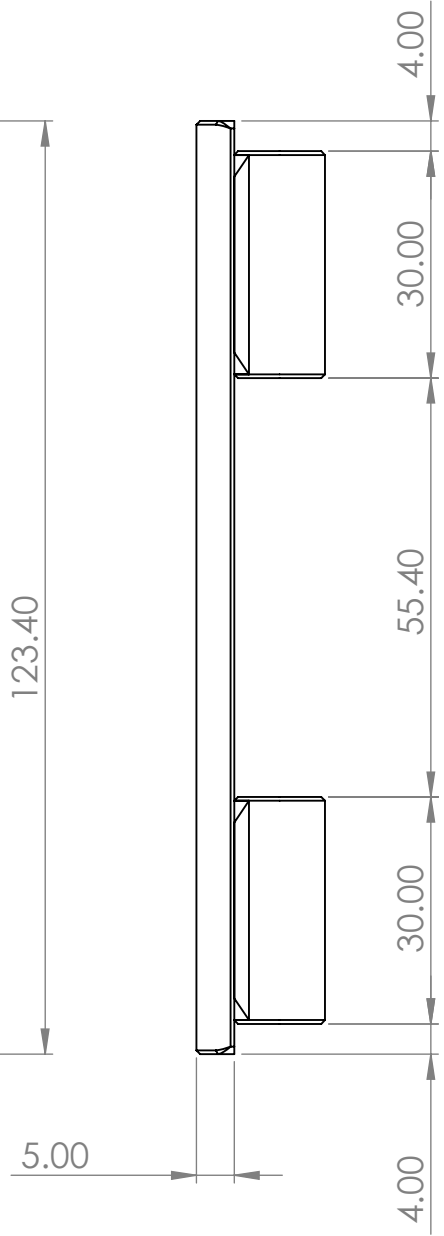
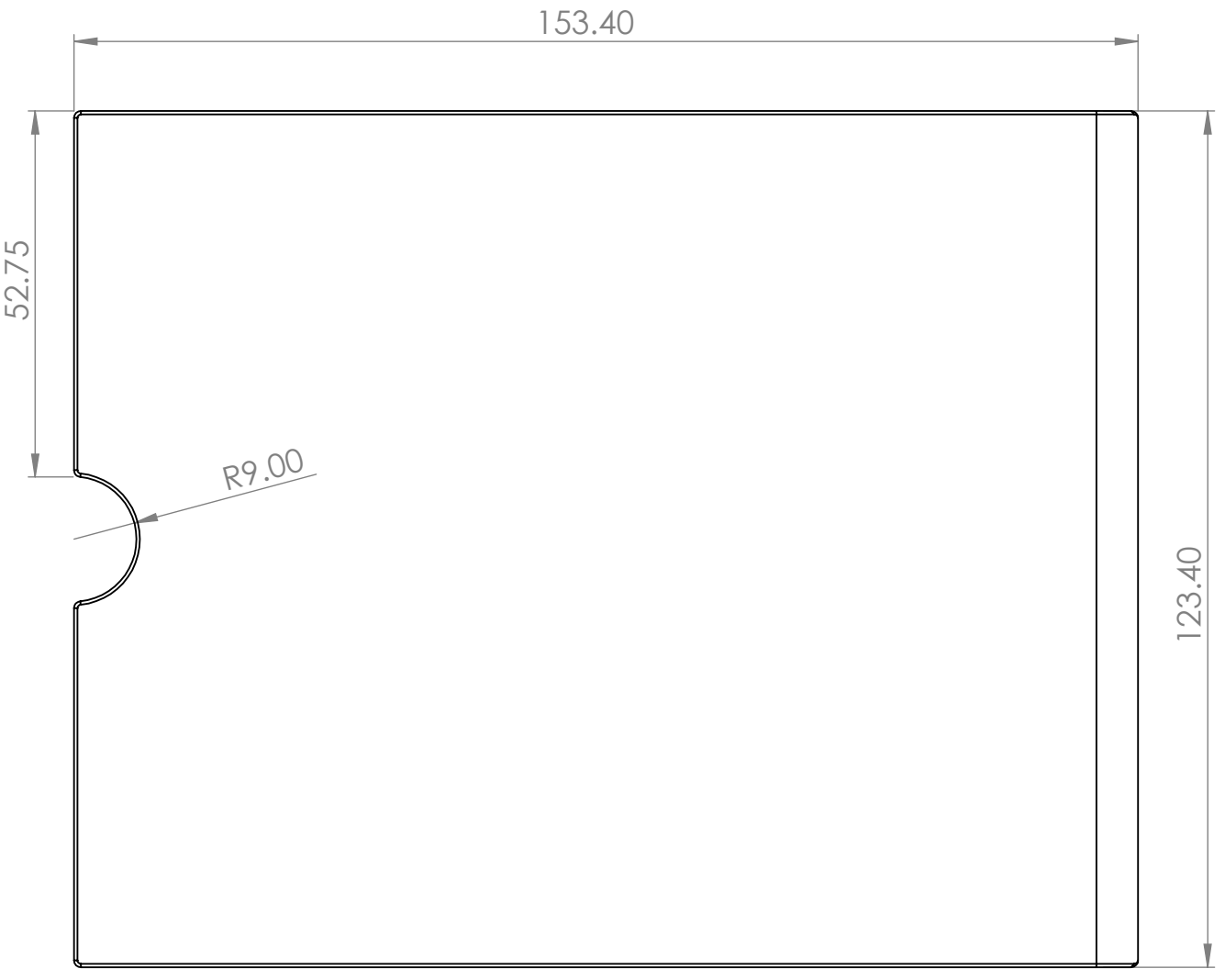
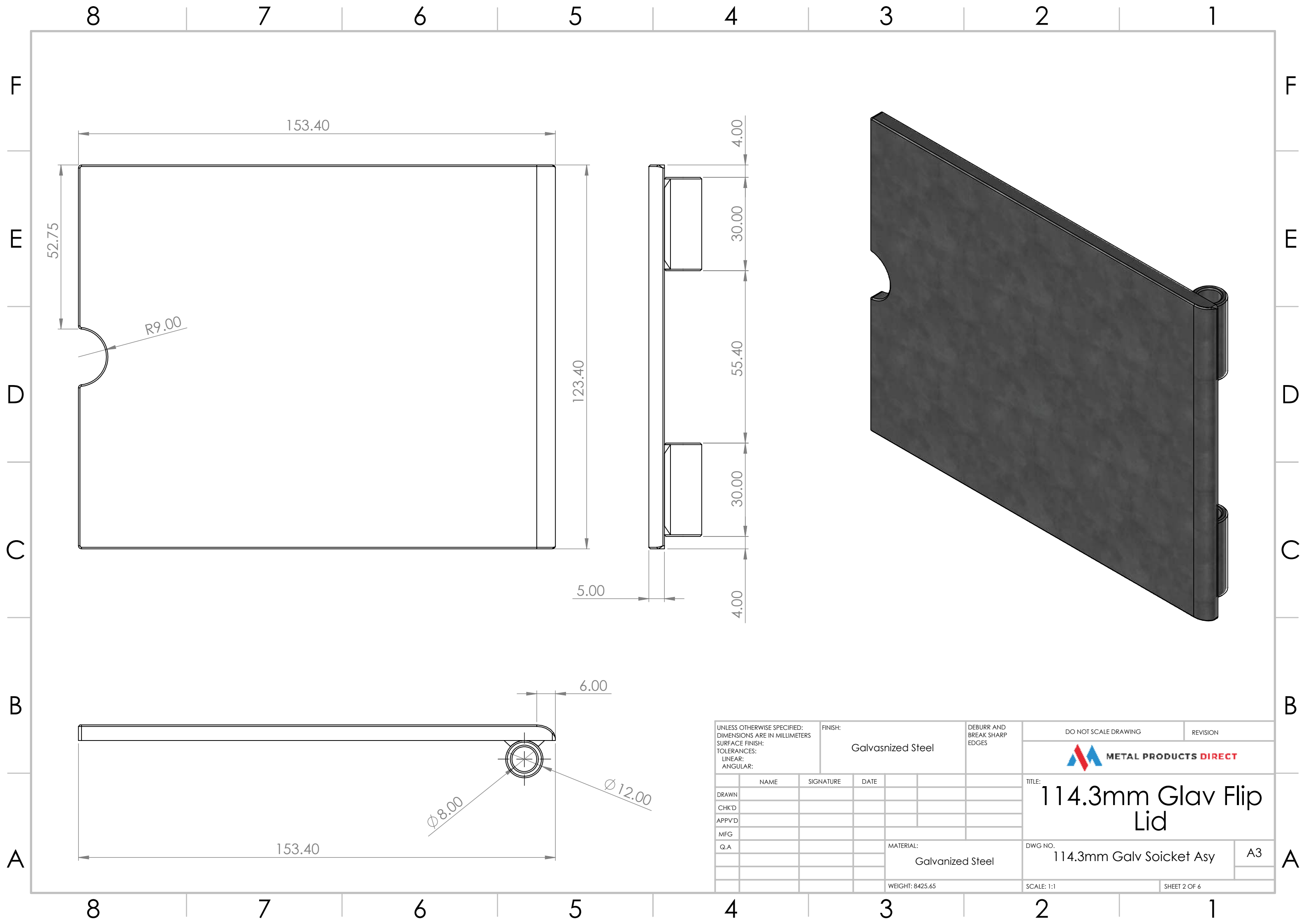
A



DETAIL A
SCALE 1 : 1

| | | | | | | | | | |
|--|------|-----------------------|------|------------------------------------|--|----------------------|--|--|--|
| UNLESS OTHERWISE SPECIFIED: DIMENSIONS ARE IN MILLIMETERS | | FINISH: Galvanized | | DEBURR AND BREAK SHARP EDGES | | DO NOT SCALE DRAWING | | REVISION | |
| SURFACE FINISH: | | | | | | | | TITLE: 114.3mm Galv Bollard Socket | |
| TOLERANCES: LINEAR: ANGULAR: | | | | | | | | | |
| DRAWN | NAME | SIGNATURE | DATE | MATERIAL: Galvanized Steel | | SCALE:1:5 | | SHEET 1 OF 6 | |
| CHK'D | | | | WEIGHT: 8425.65 | | | | | |
| APPV'D | | | | | | | | | |
| MFG | | | | | | | | | |
| Q.A | | | | | | | | | |

8 7 6 5 4 3 2 1



| | | | | | | | | | | | | |
|---|--|--|----------------------------------|--|------------------------------------|--|--|--|----------|--|--------------|--|
| UNLESS OTHERWISE SPECIFIED: DIMENSIONS ARE IN MILLIMETERS SURFACE FINISH: TOLERANCES: LINEAR: ANGULAR: | | | FINISH: Galvasnized Steel | | DEBURR AND BREAK SHARP EDGES | | DO NOT SCALE DRAWING | | REVISION | | | |
| | | | | | | | | | | | | |
| | | | | | | | TITLE: 114.3mm Galv Flip Lid | | | | | |
| | | | | | | | DWG NO. 114.3mm Galv Soicket Asy | | | | A3 | |
| | | | | | | | SCALE: 1:1 | | | | SHEET 2 OF 6 | |

| | NAME | SIGNATURE | DATE | | | |
|--------|------|-----------|------|--|--|--|
| DRAWN | | | | | | |
| CHK'D | | | | | | |
| APPV'D | | | | | | |
| MFG | | | | | | |
| Q.A | | | | | | |

MATERIAL:
Galvanized Steel
WEIGHT: 8425.65

8 7 6 5 4 3 2 1

F

F

E

E

D

D

C

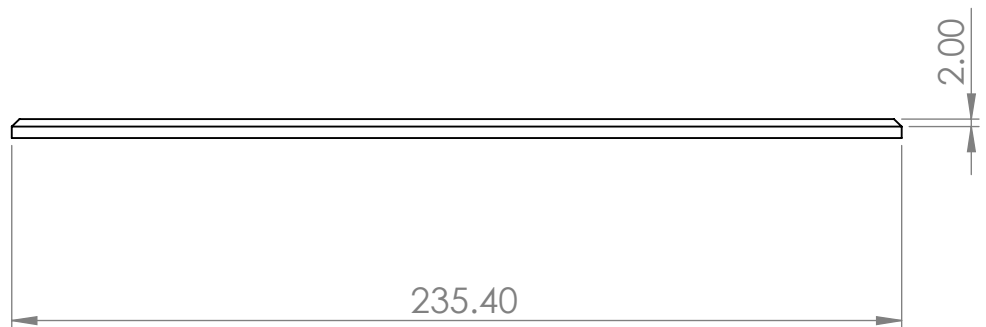
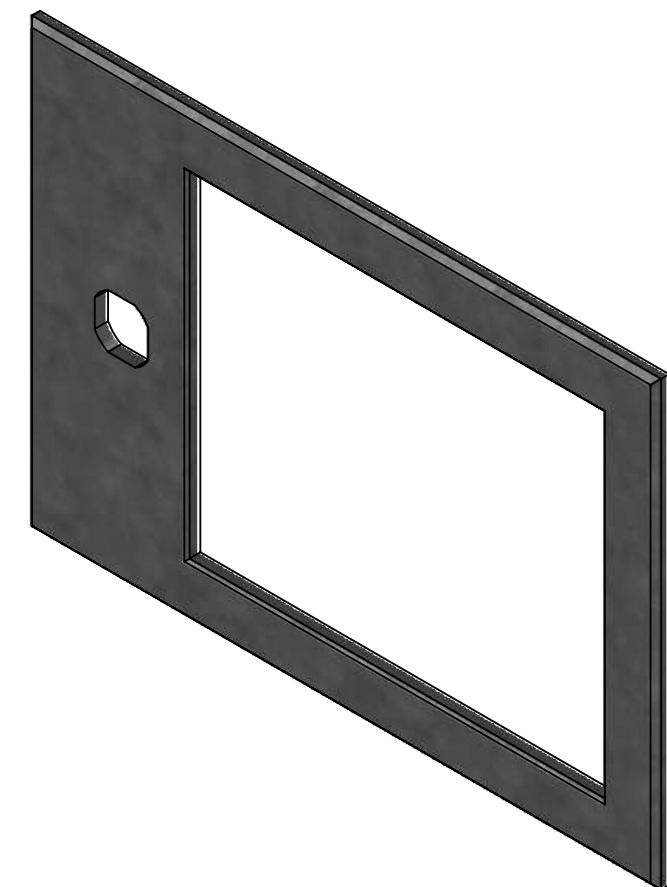
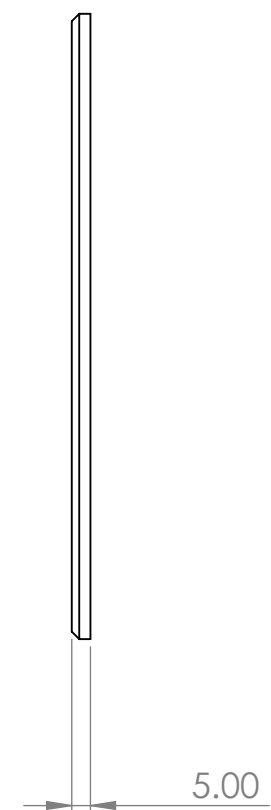
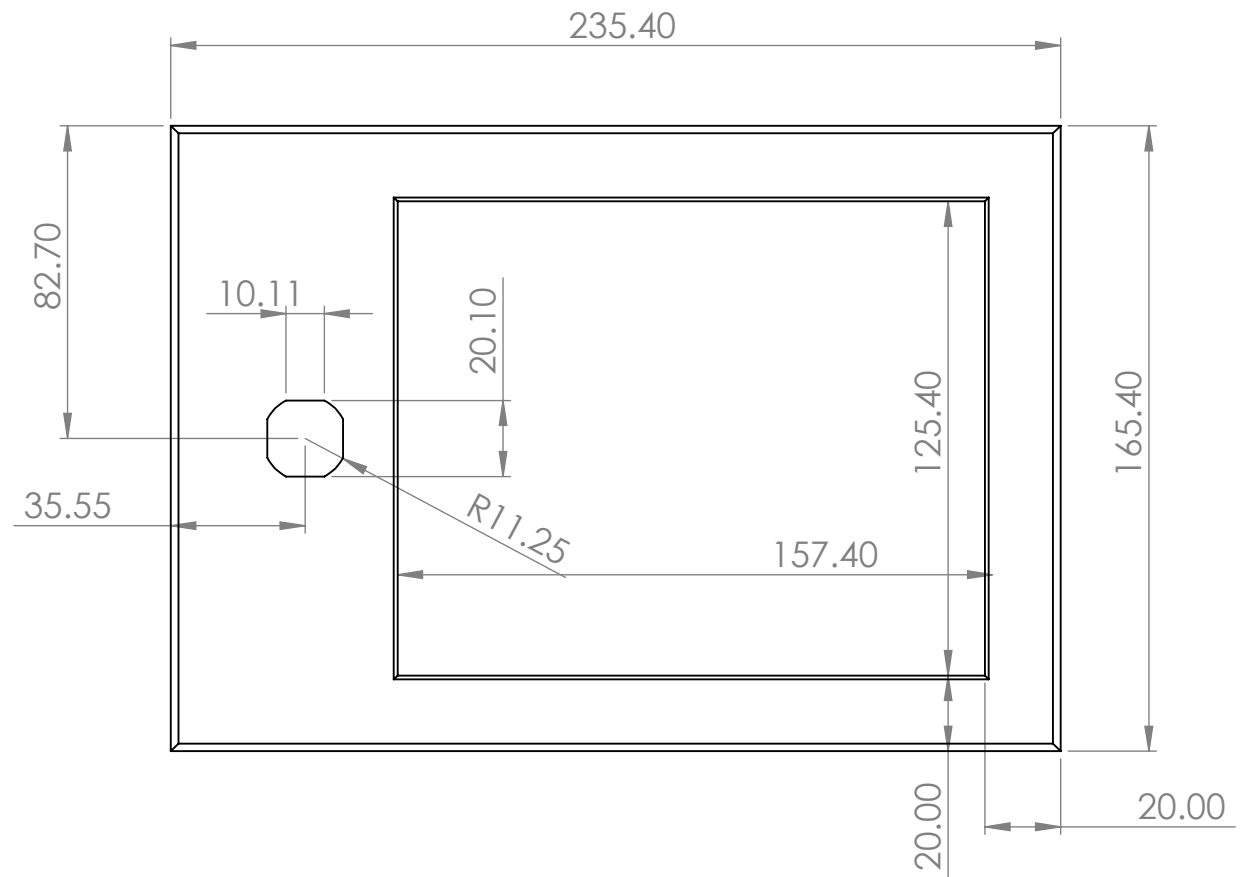
C


B

B

A

A



| | | | | | | | | | |
|--|------|-----------------------|------|------------------------------------|--|---|--|---------------------------------------|--------------|
| UNLESS OTHERWISE SPECIFIED: DIMENSIONS ARE IN MILLIMETERS | | FINISH: Galvanized | | DEBURR AND BREAK SHARP EDGES | | DO NOT SCALE DRAWING | | REVISION | |
| SURFACE FINISH: | | | | | |  | | TITLE: 114.3mm Ground Plate | |
| TOLERANCES: LINEAR: ANGULAR: | | | | | | | | | |
| DRAWN | NAME | SIGNATURE | DATE | | | | | | |
| CHK'D | | | | | | | | | |
| APPV'D | | | | | | | | | |
| MFG | | | | | | | | | |
| Q.A | | | | | | MATERIAL: Galvanized Steel | | | |
| | | | | | | WEIGHT: 8425.65 | | SCALE 1:2 | SHEET 3 OF 6 |

8 7 6 5 4 3 2 1

8 7 6 5 4 3 2 1

F

F

E

E

D

D

C

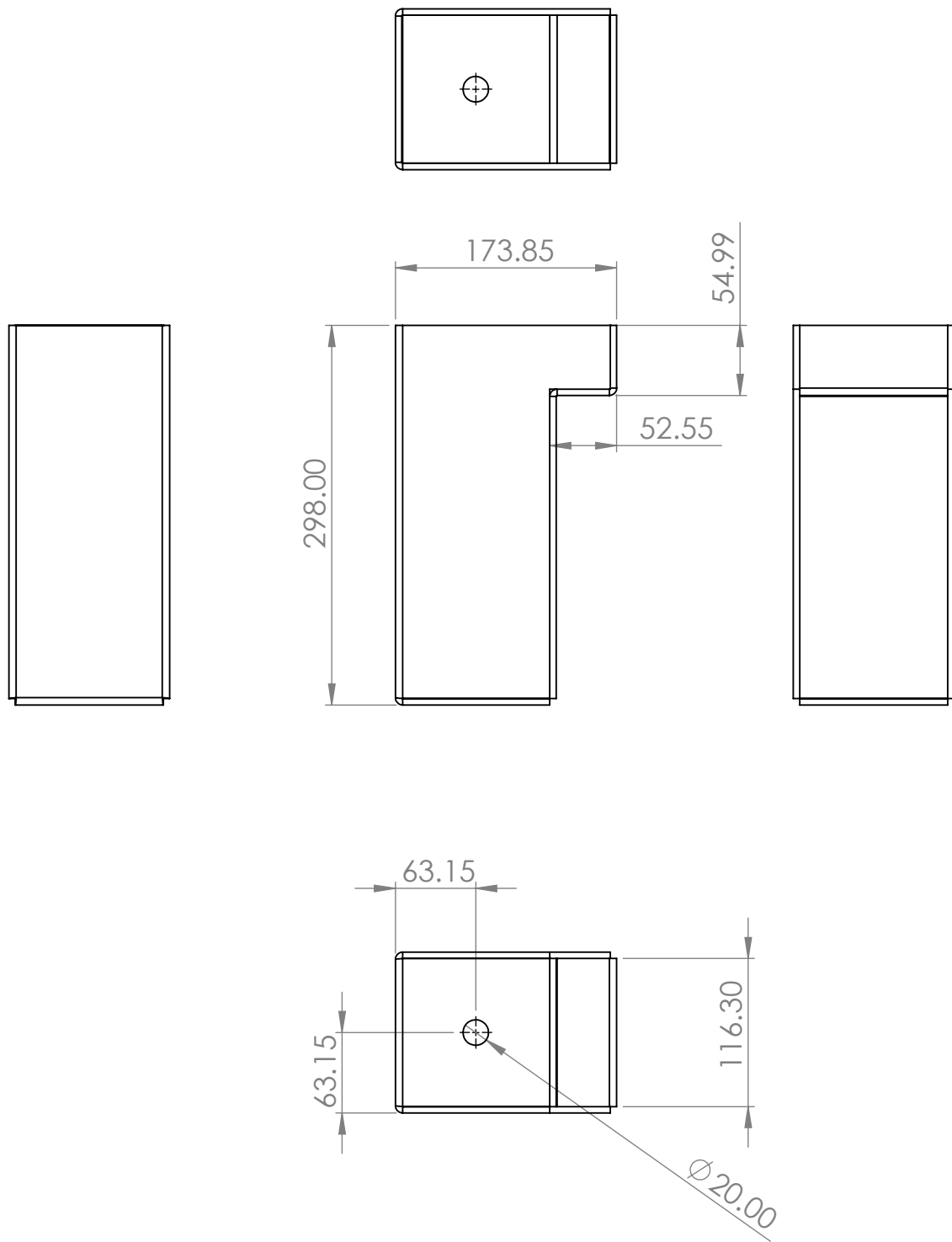
C

B

B

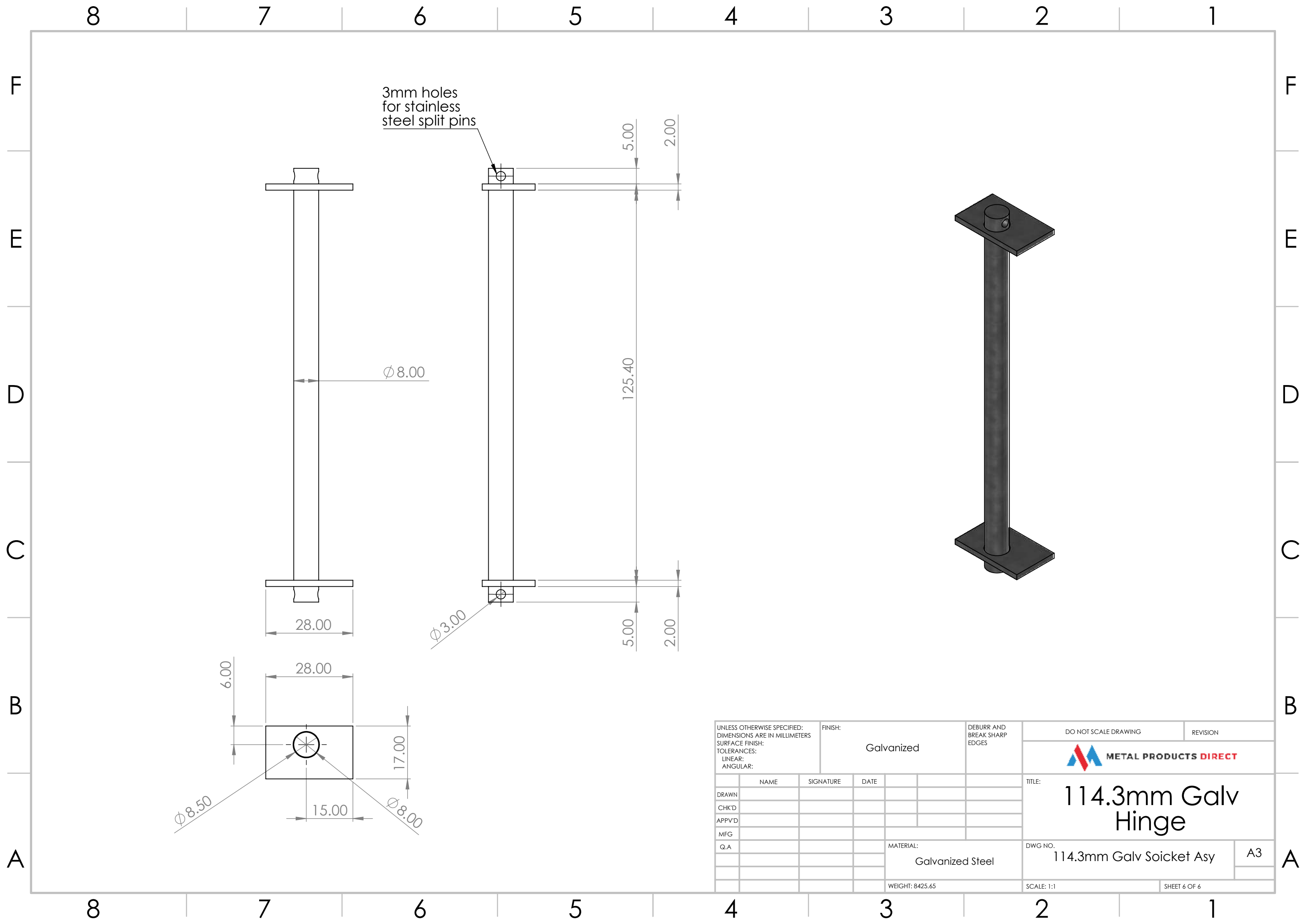
A

A



| | | | | | | | | | | | |
|---|--|--|--|---------------------------|--|------------------------------------|--|--|--|-------------------------------------|--|
| UNLESS OTHERWISE SPECIFIED: DIMENSIONS ARE IN MILLIMETERS SURFACE FINISH: TOLERANCES: LINEAR: ANGULAR: | | | | FINISH: Galvanized | | DEBURR AND BREAK SHARP EDGES | | DO NOT SCALE DRAWING | | REVISION | |
| | | | | | | | | | | | |
| | | | | | | | | TITLE: 114.3 Galv Bollard Socket | | | |
| DRAWN | | | | NAME | | SIGNATURE | | DATE | | DWG NO. 114.3mm Galv Soicket Asy | |
| CHK'D | | | | | | | | | | A3 | |
| APPV'D | | | | | | | | | | SCALE:1:5 | |
| MFG | | | | | | | | | | SHEET 5 OF 6 | |
| Q.A | | | | | | | | MATERIAL: Galvanized Steel | | | |
| | | | | | | | | WEIGHT: 8425.65 | | | |

8 7 6 5 4 3 2 1



3mm holes
for stainless
steel split pins

Ø 8.00

Ø 3.00

Ø 8.50

Ø 8.00

| | | | | | | | | | | | |
|---|--|--|---------------------------|--|------------------------------------|--|-------------------------------|--|---|--|--|
| UNLESS OTHERWISE SPECIFIED: DIMENSIONS ARE IN MILLIMETERS SURFACE FINISH: TOLERANCES: LINEAR: ANGULAR: | | | FINISH: Galvanized | | DEBURR AND BREAK SHARP EDGES | | DO NOT SCALE DRAWING | | REVISION | | |
| DRAWN | | | NAME | | SIGNATURE | | DATE | | TITLE: 114.3mm Galv Hinge | | |
| CHK'D | | | | | | | | | DWG NO. 114.3mm Galv Soicket Asy | | |
| APPV'D | | | | | | | | | A3 | | |
| MFG | | | | | | | | | SCALE: 1:1 | | |
| Q.A | | | | | | | MATERIAL: Galvanized Steel | | SHEET 6 OF 6 | | |
| | | | | | | | WEIGHT: 8425.65 | | | | |